



Instruction Manual



PLEASE READ CAREFULLY AND KEEP
THIS MANUAL FOR FUTURE REFERENCE

Tested and listed to
UL 1482
CAN/ULC-S627

Rustik Elite



Rustik Prime



Rustik Pro



Rustik



We recommend that our woodburning
hearth products be installed and serviced
by professionals who are certified in the U.S.
by the National Fireplace Institute® (NFI) as
NFI Woodburning Specialists

490, rue de l'Argon, Quebec (Quebec) Canada G2N 2C9
Phone.: 418-849-8095 Fax: 418-849-0077
www.jaroby.com

TABLE OF CONTENT

Introduction.....	3	Vertical Installation	21
Listing and code approvals.....	3	Operating Instructions	22
Appliance certification.....	3	Air Intake Control.....	22
BTU & Specifications	3	Lightning fire.....	22
Efficiency.....	3	First fire.....	22
Warning.....	4	Keeping a fire	22
Rating plate	5	Operation of cooking holes	23
Specifications	8	Maintenance.....	24
Clearances to combustibles materials USA	9	Ash Removal	24
Clearances to combustibles materials CA.....	9	Ash Disposal	24
Installation	10	Creosote Formation.....	24
Fire Prevention	10	Chimney Inspection	24
Smoke and carbon monoxide emissions and monitors.....	10	Chimney Sweeping.....	24
Floor protection.....	10	Door maintenance	25
Dimension of floor protection plate.....	10	Air Tighten Adjustment	25
Minimum clearances to combustible material.....	11	Cleaning up glass	25
Assembly before installation	13	Disassembly and reassembly of door	25
Warming oven top Assembly	13	Replacing broken glass	25
Firebrick installation.....	14	Replacing glass fiber rope	26
Back Side firebrick installation	14	What to do in case of Chimney Fire	26
Side's firebrick installation.....	14	Annex 1	27
Floor's firebrick installation.....	14	Door assembly	27
General steps of stove installation	16	Wood Stove Door	27
Chimney connector installation	17	Oven Door.....	28
General steps of chimney installation.....	18	Annex 2	29
Vertical Installation Inside Masonry Chimney	19	Replacement parts	29
Outside Vertical Installation.....	19	J. A. Roby Limited warranty	30
Vertical Installation on Cathedral Roof	20		
Offset Vertical Installation	20		

Introduction

Read all instructions carefully before installing your new J. A. ROBY wood cook stove. Failure to follow the instructions may result in property damage, bodily injury, or even death.

Keep these instructions for future use.

A proper installation is very important for a safe and effective use of your stove. If you have any doubts about the installation of your appliance, we suggest calling a professional installer. A wrong installation may result in a fire, injury or loss of life.

This appliance must be connected to a HT type factory-built chimney approved UL103 or ULC S629, or a code-approved masonry chimney with a flue liner

N.B: Please be aware that the local codes and regulations might be more specific than this manual. You can consult a professional installer, the Fire Department or local authorities about restriction on installation of solid-fuel burning appliances.

Listing and code approvals

Appliance certification

This unit is not a certified residential wood heater by the U.S. ENVIRONMENTAL PROTECTION AGENCY. The primary use for this unit is for cooking or baking.

This appliance meet:

- **UL 1482**
- **CAN/ULC-S627**

BTU & Specifications

- Heat Output*: 80000 BTU
- Vent size 6"
- Recommended wood length: 18 inches
- Chamber combustion depth: 20 inches
- Fuel Orientation: front to rear.
- Fuel: Seasoned cord wood.

Efficiency

When the seasoned wood has lower moisture, the efficiency will be better. When the outside temperature is very low, it is important to create a good draft in chimney. When the appliance is in the basement, the chimney is higher than if the appliance would be in the main living area. The draft will be better because we have more length of chimney.

Warning

- INSTALLATION SHALL BE IN ACCORDANCE WITH CSA B365
- THIS COOKSTOVE (SPACE HEATER) MEETS THE REQUIREMENTS OF CAN/ULC-S627 AND IS SUITABLE FOR INSTALLATION ON A COMBUSTIBLE FLOOR WITHOUT THE NEED FOR RADIANT FLOOR PROTECTION.
- BEFORE INSTALLATION, CONSULT THE AUTHORITY HAVING JURISDICTION (AHJ), SUCH AS THE MUNICIPAL BUILDING DEPARTMENT OR FIRE DEPARTMENT, TO DETERMINE PERMIT AND INSPECTION REQUIREMENTS.
- SAVE THESE INSTRUCTIONS
- DO NOT USE CHEMICALS OR FLUIDS TO START THE FIRE.
- OVERFIRING OR USING HIGHLY VOLATILE FUELS OR COMBUSTIBLES CAN DAMAGE THE APPLIANCE AND CREATE A FIRE HAZARD.
- DO NOT INSTALL IN ANY FIREPLACE.
- DO NOT BURN GARBAGE OR FLAMMABLE FLUIDS.
- IF THIS APPLIANCE IS IN AN AREA WHERE CHILDREN MAY BE NEAR, IT IS RECOMMENDED THAT YOU PLACE A DECORATIVE BARRIER IN FRONT OF THE APPLIANCE.
- HOT WHILE IN OPERATION. KEEP CHILDREN, CLOTHINGS AND FURNITURES AWAY. CONTACT MAY CAUSE SKIN BURNS.
- N.B: BE WARNED THAT THE LOCAL CODES AND RULES CAN HAVE MORE SPECIFIC REQUIREMENT THAN THIS MANUAL. YOU CAN CONSULT A PROFESSIONAL INSTALLER OR ASK FIRE OFFICIALS OR LOCAL AUTHORITY ABOUT RESTRICTION AND INSTALLATION INSPECTION IN YOUR AREA.
- YOU MIGHT NEED TO OBTAIN A PERMIT FOR INSTALLING CHIMNEY AND STOVE.
- DO NOT CONNECT THIS APPLIANCE TO A CHIMNEY FLUE SERVING ANOTHER APPLIANCE.
- DO NOT CONNECT TO OR USE IN CONJUNCTION WITH ANY AIR DISTRIBUTION DUCTWORK UNLESS SPECIFICALLY APPROVED FOR SUCH INSTALLATIONS.
- THIS APPLIANCE IS BUILT FOR BURNING SEASONED CORDWOOD ONLY. USE OF ANY OTHER TYPE OF FUEL LIKE COAL/ CONSTRUCTION WOOD/ TREATED WOOD/ FLAMMABLE LIQUID/ TRASH/ OR ANY FLAMMABLE THING CAN OVERFIRE AND DAMAGE THE STOVE.
- THE ROOM HEATER SHALL NOT BE INSTALLED IN A FACTORY-BUILT FIREPLACE.
- HOT WHILE IN OPERATION. KEEP CHILDREN, CLOTHING AND FURNITURE AWAY.
- DO NOT BURN GARBAGE OR FLAMMABLE FLUIDS SUCH AS GASOLINE, NAPHTHA OR ENGINE OIL.
- DO NOT CONNECT THIS APPLIANCE TO A CHIMNEY FLUE SERVING ANOTHER APPLIANCE.
- USE ALL SPECIFIED COMPONENTS WHEN INSTALLING THE APPLIANCE. DO NOT USE COMPONENTS OTHER THAN THOSE SPECIFIED, AND DO NOT USE MAKESHIFT SOLUTIONS OR COMPROMISES DURING INSTALLATION, AS THIS MAY LEAD TO UNSAFE OPERATION OR IMPROPER PERFORMANCE.
- ENSURE ADEQUATE VENTILATION, LACK OF ROOM AIR, ICING, OR OPERATION OF EXHAUST FANS MAY AFFECT APPLIANCE PERFORMANCE AND SAFETY.
- DO NOT USE SUBSTITUTE MATERIALS WHEN INSTALLING OR OPERATING THE APPLIANCE.
- WHEN THIS ROOM HEATER IS NOT PROPERLY INSTALLED, A HOUSE FIRE MAY RESULT. TO REDUCE THE RISK OF FIRE, FOLLOW THE INSTALLATION INSTRUCTIONS. CONTACT LOCAL BUILDING OR FIRE OFFICIALS ABOUT RESTRICTIONS AND INSTALLATION INSPECTION REQUIREMENTS IN YOUR AREA.
- DO NOT USE ABRASIVE CLEANERS.
- DO NOT CLEAN THE GLASS WHEN IT IS HOT.
- IN TIGHTLY INSULATED OR WELL-SEALED HOMES, INSUFFICIENT AIR SUPPLY MAY OCCUR DURING OPERATION OF THE APPLIANCE. A LACK OF ADEQUATE AIR CIRCULATION CAN LEAD TO ISSUES SUCH AS POOR COMBUSTION AND CONDENSATION BUILDUP, WHICH MAY BE NOTICEABLE ON WINDOWS OR OTHER COLD SURFACES. ENSURE THAT A SUFFICIENT SUPPLY OF FRESH AIR IS AVAILABLE AND THAT SOME AIR CIRCULATION IS MAINTAINED AT ALL TIMES WHILE THE COOKSTOVE IS IN OPERATION.

Rating plate

MFG DATE
 JAN 2026
 FEB 2027
 MAR 2028
 APR 2029
 MAY 2030
 JUN 2031
 JUL 2032
 AUG 2033
 SEP 2034
 OCT 2035
 NOV 2036
 DEC



MADE IN CANADA BY

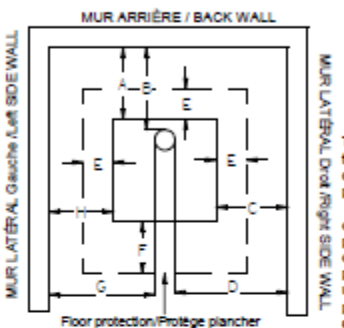
 Warmth from the heart
 of J.A. Roby Inc.
 480 rue de l'Argon, Québec, Canada,
 G2N 2C9

DO NOT REMOVE THIS LABEL / NE PAS ENLEVER CETTE ÉTIQUETTE

MODELS / MODÈLES :
 ■ Rustik ■ Rustik Prime ■ Rustik Pro ■ Rustik Elite

SAFETY certified to:
 UL 1482
 CAN/ULC-S627

AGENCE DE PROTECTION DE L'ENVIRONNEMENT DES ÉTATS-UNIS Cet appareil n'est pas un appareil de chauffage résidentiel au bois certifié. Son usage principal est destiné à la cuisson ou à la cuisson au four. U.S. ENVIRONMENTAL PROTECTION AGENCY This unit is not a certified residential wood heater. The primary use for this unit is for cooking or baking.



Floor protection/ Protection de plancher		
E	F	Usa
8 (20.3)	18 (45.7)	16 (40.6)

The minimum distance from the floor to the ceiling must be at least 84 inches / La distance minimale entre le plancher et le plafond doit être d'au moins 84 pouces. CSA B386 requires a minimum clearance of 460 mm (18") from a single wall flue pipe to a combustible surface, regardless of the flue pipe clearance noted on the product label / La norme CSA B386 exige un dégagement minimal de 460 mm (18 po) entre un conduit de fumée à paroi simple et toute surface combustible, indépendamment du dégagement du conduit de fumée indiqué sur l'étiquette du produit.

inches (cm)	Distance for all model/Distance pour tous les modèles					
	A	B	C	D	G	H
Single wall pipe (USA) Tuyau à paroi simple (USA)	12 (30.5)	16 (40.7)	7.5 (19.1)	16 (40.7)	35.25 (89.6)	12 (30.5)
Single wall pipe (CA) Tuyau à paroi simple (CA)	14 (30.5)	18 (45.8)	9.5 (24.2)	18 (45.8)	35.25 (89.6)	12 (30.5)
Double wall pipe Tuyau à paroi double	10 (25.4)	14 (35.6)	7.5 (19.1)	16 (40.7)	35.25 (89.6)	12 (30.5)
Alcove Single wall pipe(USA) Alcove simple paroi (USA)	12 (30.5)	16 (40.7)	7.5 (19.1)	16 (40.7)	35.25 (89.6)	12 (30.5)
Alcove Single wall pipe (CA) Alcove simple paroi (CA)	14 (30.5)	18 (45.8)	9.5 (24.2)	18 (45.8)	35.25 (89.6)	12 (30.5)
Alcove double wall pipe Alcove double paroi	10 (30.5)	14 (35.6)	7.5 (19.1)	16 (40.7)	35.25 (89.6)	12 (30.5)
Through the wall single wall pipe A travers le mur simple paroi (USA)	12 (30.5)	16 (35.6)	7.5 (19.1)	16 (40.7)	35.25 (89.6)	12 (30.5)
Through the wall single wall pipe A travers le mur simple paroi (CA)	14 (35.6)	18 (45.8)	9.5 (24.2)	18 (45.8)	35.25 (89.6)	12 (30.5)

- Combustion air openings must not be obstructed under any circumstances. Adequate airflow is required for proper combustion and safe operation of the appliance.
- Do not obstruct the space beneath the heater. Blocking this area may restrict proper airflow and could result in unsafe operating conditions.
- Use only a 6-inch (152.4 mm) certified HT chimney, UL 103 or ULC S629, or a code-approved masonry chimney with a 6-inch flue liner. Use 24 ga black chimney connector.
- Install and use only in accordance with the manufacturer's Installation and Operating Instructions. Contact local building or fire officials regarding restrictions and installation inspection in your area.
- The appliance must be operated with the doors closed at all times during operation to ensure proper performance and safe operation.
- This appliance must be placed on a noncombustible floor protection, as per the schematic dimensions above. SEE LETTERS E and F.
- Do not overfire. If the heater or chimney connector glows, the unit is being overfired.
- Do not connect this unit to a chimney serving another appliance.
- Inspect and clean the chimney frequently. Under certain conditions of use, creosote buildup may occur rapidly.
- Do not use a grate or elevate the firewood.
- Burn directly on the hearth.
- Replace glass only with 5 mm thick ceramic glass.
- For use with solid wood fuel only — DO NOT BURN ANY OTHER FUEL.
- Open the damper before opening the door.
- To pass a chimney or chimney connector through a combustible wall or ceiling, see the owner's manual and local building code.
- Burn with the door closed.
- Refer to Intertek's Directory of Building Products (<https://bpdirectory.intertek.com>) for detailed information.
- To be installed as a freestanding appliance with the clearances in the manufacturer's Installation Instructions. Not to be installed in any fireplace.

- There must be at least 12 inches (305 mm) of straight pipe from the stove outlet before the elbow that turns into the wall/ Il doit y avoir au moins 12 pouces (305 mm) de conduit droit à partir de la sortie du poêle avant le coude qui traverse le mur.
- Les ouvertures d'air de combustion ne doivent en aucun cas être obstruées. Un apport d'air adéquat est requis pour assurer une combustion correcte et un fonctionnement sécuritaire de l'appareil.
- Ne pas obstruer l'espace sous l'appareil de chauffage. Le blocage de cette zone peut restreindre la circulation d'air et entraîner des conditions de fonctionnement dangereuses.
- Utiliser uniquement une cheminée HT de 6 pouces (152.4 mm) certifiée UL 103 OU ULC S629, ou une cheminée en maçonnerie conforme aux codes du bâtiment avec un conduit intérieur de 6 pouces. Utiliser un conduit de raccordement noir calibre 24.
- Installer et utiliser uniquement conformément aux instructions d'installation et d'utilisation du fabricant. Consulter les autorités locales en matière de construction ou de prévention des incendies concernant les restrictions et l'inspection de l'installation dans votre région.
- L'appareil doit être utilisé avec les portes fermées en tout temps durant le fonctionnement afin d'assurer une performance et une sécurité adéquates.
- Cet appareil doit être installé sur une protection de plancher incombustible conforme aux dimensions schématisées ci-dessus. VOIR LETTRES E et F.
- Ne pas surchauffer. Si l'appareil ou le conduit de raccordement devient rougeoyant, cela indique une surchauffe.
- Ne pas raccorder cet appareil à une cheminée desservant un autre appareil.
- Inspecter et nettoyer la cheminée fréquemment. Dans certaines conditions d'utilisation, une accumulation de crésote peut se produire rapidement.
- Ne pas utiliser de grille et ne pas surélever le bois de chauffage.
- Faire un feu directement sur l'âtre.
- Remplacer la vitre uniquement par une vitre en céramique de 5 mm d'épaisseur.
- Pour utilisation avec du bois solide uniquement — NE PAS BRÛLER D'AUTRES COMBUSTIBLES.
- Ouvrir le registre avant d'ouvrir la porte.
- Pour le passage de la cheminée ou du conduit de raccordement à travers un mur ou un plafond combustible, consulter le manuel du propriétaire et le code du bâtiment local.
- Faire fonctionner l'appareil avec la porte fermée.
- Consulter le répertoire des produits de construction d'Intertek (<https://bpdirectory.intertek.com>) pour obtenir des informations détaillées.
- À installer comme appareil autonome, conformément aux dégagements indiqués dans les instructions d'installation du fabricant. Ne doit pas être installé dans un foyer existant.



ATTENTION !

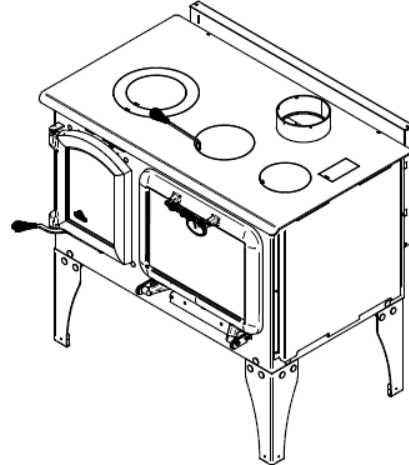
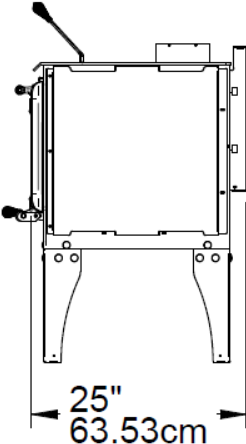
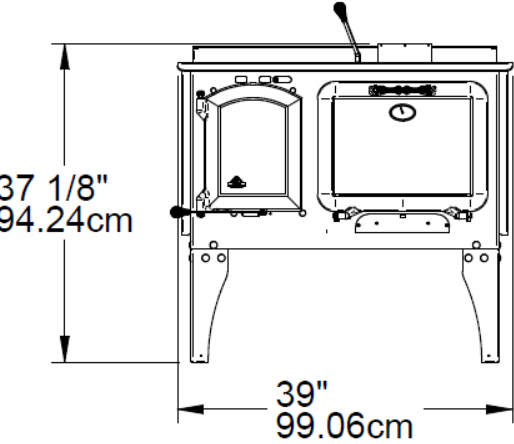
CHAUD LORS DU FONCTIONNEMENT. NE PAS TOUCHER. TENIR LES ENFANTS, LES VÊTEMENTS ET LES MEUBLES À DISTANCE. LE CONTACT PEUT CAUSER DES BRÛLURES À LA PEAU. CONSULTER LA PLAQUE SIGNALÉTIQUE ET LE MANUEL D'INSTRUCTIONS.

CAUTION !

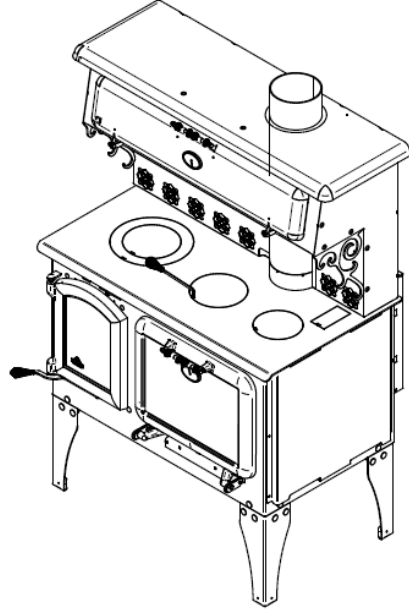
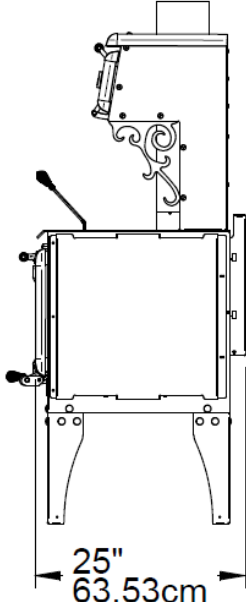
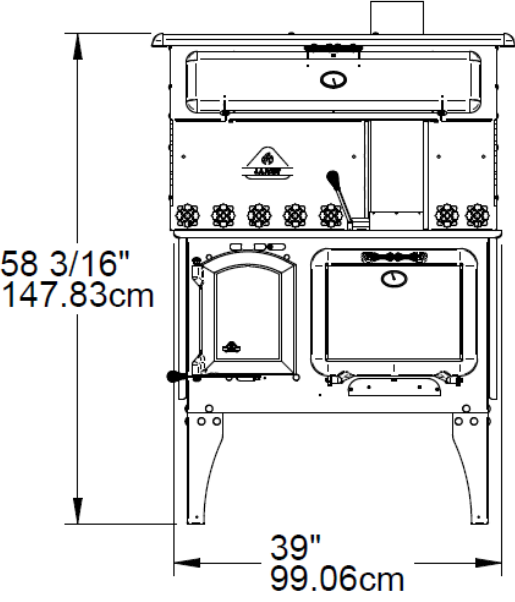
HOT WHILE IN OPERATION. DO NOT TOUCH. KEEP CHILDREN, CLOTHING AND FURNITURE AWAY. CONTACT MAY CAUSE SKIN BURNS. SEE NAME-PLATE AND INSTRUCTION.

Appliance dimensions

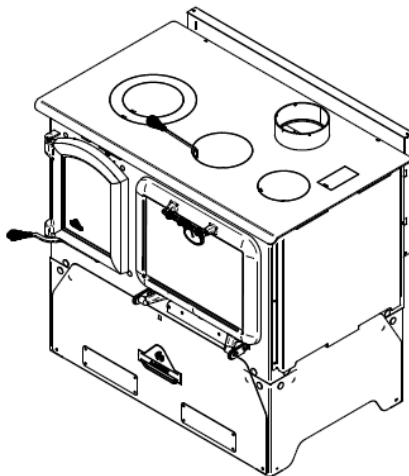
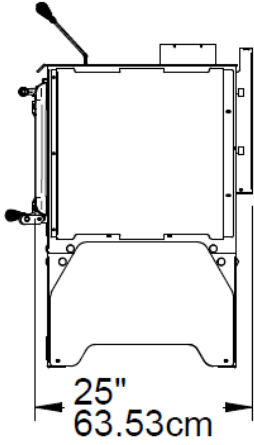
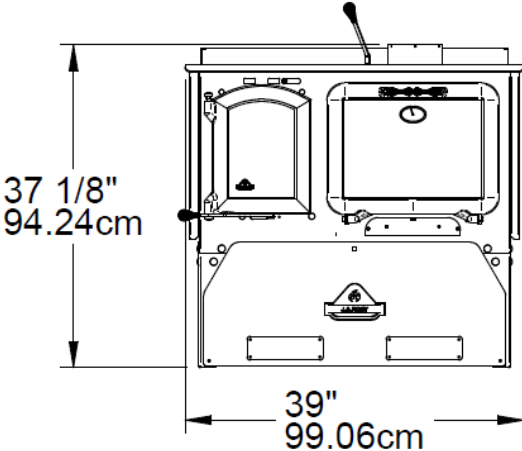
Rustik



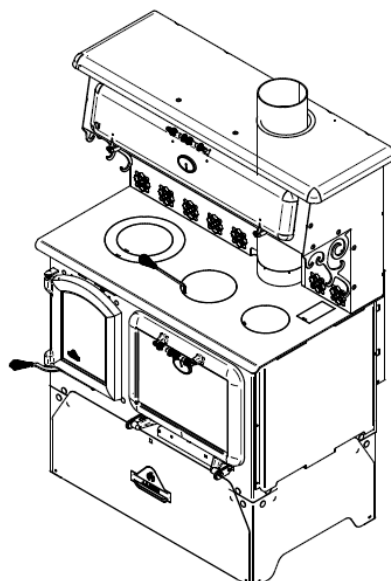
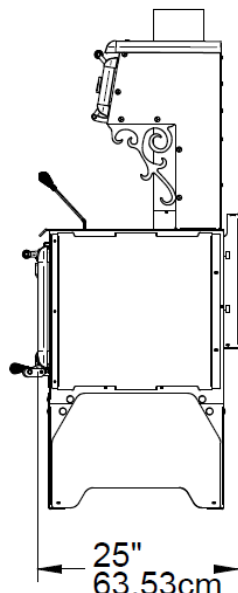
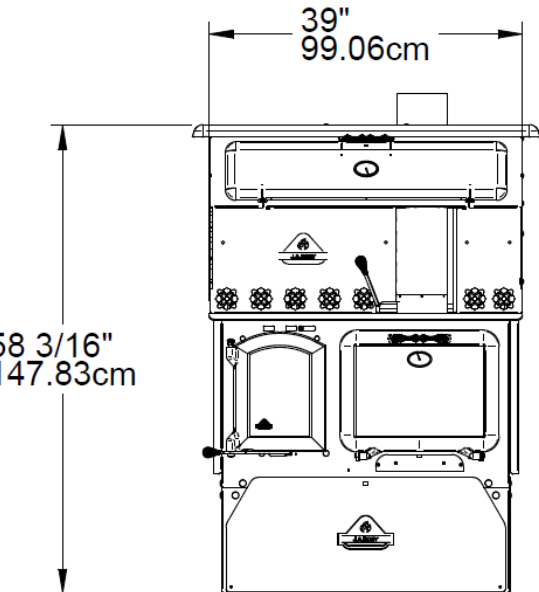
Rustik Prime



Rustik Pro



Rustik Elite



Specifications

Option	Rustik	Rustik Pro	Rustik Prime	Rustik Elite
Combustible	Wood	Wood	Wood	Wood
Recommended surface area	500 -2000 ft ²	500 -2000 ft ²	500 -2000 ft ²	500 -2000 ft ²
Capacity	80000 BTU	80000 BTU	80000 BTU	80000 BTU
Flue pipe diameter	6 in (15.2 cm)	6 in (15.2 cm)	6 in (15.2 cm)	6 in (15.2 cm)
Minimal chimney height	12 FT (366	12 FT (366	12 FT (366	12 FT (366
Exterior Height	37.1 in(94.3cm)	36.9 in(94.3cm)	62.1 in(157.8cm)	62.1 in(157.8cm)
Exterior Width	39 in (99.1 cm)	39 in(99.1cm)	39 in(99.1cm)	39 in(99.1cm)
Exterior Depth	28.4 in (99.1 cm)	28.4 in (99.1 cm)	28.4 in (99.1 cm)	28.4 in (99.1 cm)
Door Opening	9 x 9 ¹ / ₈ in (22.9 x 23.2 cm)	9 x 9 ¹ / ₈ in (22.9 x 23.2 cm)	9 x 9 ¹ / ₈ in (22.9 x 23.2 cm)	9 x 9 ¹ / ₈ in (22.9 x 23.2 cm)
Interior Height	11 ⁵ / ₈ in (29.5 cm)	11 ⁵ / ₈ in (29.5 cm)	11 ⁵ / ₈ in (29.5 cm)	11 ⁵ / ₈ in (29.5 cm)
Interior Width	12 in (30.5 cm)	12 in (30.5 cm)	12 in (30.5 cm)	12 in (30.5 cm)
Interior Depth	20 in (50.8 cm)	20 in (50.8 cm)	20 in (50.8 cm)	20 in (50.8 cm)
Length log tested	18 in	18 in	18 in	18 in
Weight	440 lb	460 lb	514 lb	535 lb

Clearances to combustibles materials USA

CONFIGURATION	SIDE WALL TO UNIT	SIDEWALL TO FLUE EXIT	SIDE WALL TO UNIT OVEN SIDE	SIDEWALL TO FLUE EXIT OVEN SIDE	BACK WALL TO UNIT (TO BACK SHIELD)	BACK WALL TO FLUE EXIT	CEILING TO BOTTOM OF UNIT
STRAIGHT with single wall pipe	12	35.25	7.5	16	12	16	84
STRAIGHT with double wall pipe	12	35.25	7.5	16	10	14	84
ALCOVE single wall pipe	12	35.25	7.5	16	12	16	84
ALCOVE double wall pipe	12	35.25	7.5	16	10	14	84
Thru the wall single wall pipe	12	35.25	7.5	16	12	16	84

Clearances to combustibles materials CA

CONFIGURATION	SIDE WALL TO UNIT	SIDEWALL TO FLUE EXIT	SIDE WALL TO UNIT OVEN SIDE	SIDEWALL TO FLUE EXIT OVEN SIDE	BACK WALL TO UNIT (TO BACK SHIELD)	BACK WALL TO FLUE EXIT	CEILING TO BOTTOM OF UNIT
STRAIGHT with single wall pipe	12	35.25	9.5	18	14	18	84
STRAIGHT with double wall pipe	12	35.25	7.5	16	10	14	84
ALCOVE single wall pipe	12	35.25	9.5	18	14	18	84
ALCOVE double wall pipe	12	35.25	7.5	16	10	14	84
Thru the wall single wall pipe	12	35.25	9.5	18	14	18	84

Installation

WARNING ALWAYS USE J.A. ROBY PARTS on your appliance. Using other parts can damage the appliance and cause injury.

Fire Prevention

Smoke and carbon monoxide emissions and monitors

To provide reasonable fire prevention, the following should be given serious consideration:

1. At least one smoke detector on each floor of your home should be installed to ensure your safety. They should be located away from the heating appliance and close to the sleeping areas. Follow the smoke detector manufacturer's placement and installation instructions and be sure to maintain regularly.
2. A conveniently located Class A fire extinguisher to contend with small fires resulting from embers.
3. A CO detector should be installed in the room with the appliance.
4. A practiced evacuation plan, consisting of at least two escape routes.
5. A plan to deal with a chimney fire as follows:
 - a. In the event of a chimney fire:
 - b. Evacuate the house immediately
 - c. Notify fire department.

The hazards with some fuels (e.g., charcoal) and the possibilities of generating carbon monoxide and the hazards from carbon monoxides.

When the smoke detector is activated is mean that the smoke spills out of the appliance. Verify the door is close and the draft in chimney is good.

Floor protection

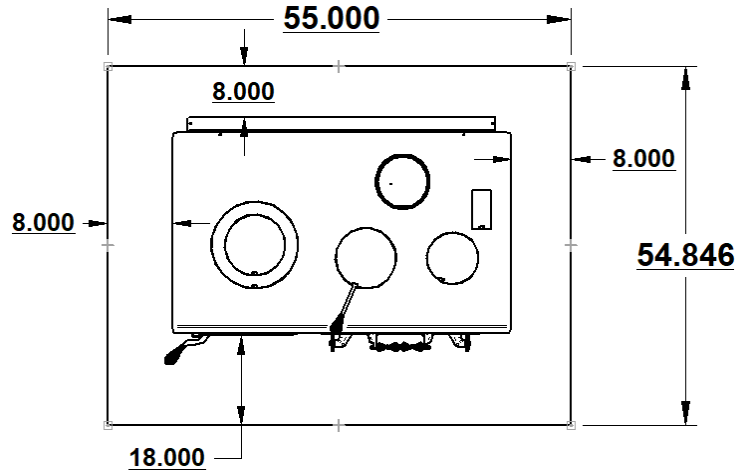
Your cookstove must be installed on a plate of non-combustible material to protect the floor and avoid fire caused by:

- Projections of sparks at the when opening the door and loading.
- The heat radiation of runaway which might cause self-ignition of floor and surface.
- Possible creosote flow when there is a chimney fire.

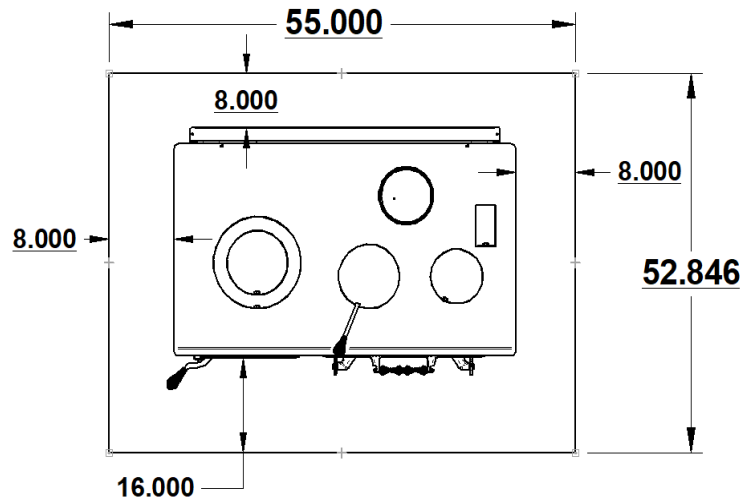
Dimension of floor protection plate

The following dimensions are the minimum values according to the desired configuration.

No wall around the cookstove Canadian requirements:



No wall around the cookstove U.S requirements:



It's necessary to protect the floor beneath the horizontal part of chimney connector extending 2 inches (5cm) beyond each side of the pipe. You can extend the floor protection panel while respecting the clearances of each side of stove. The surface must be non-combustible and listed to the USA standard UL 1482-2022 or the local codes (Example: cement, brick, ceramic tiles etc.)

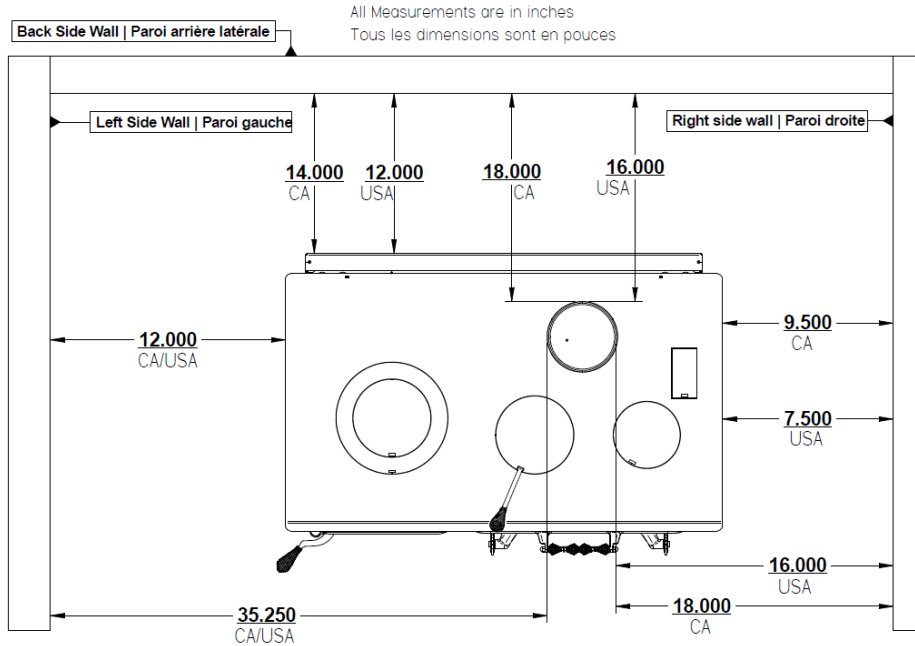
Minimum clearances to combustible material

With these reduced clearances, this appliance takes a minimum installation space. Whether in the living room or in the dining room, this appliance will complete your decor by his originality and warmth. It requires MINIMUM clearances at the back and MINIMUM clearances on the left and on the right side.

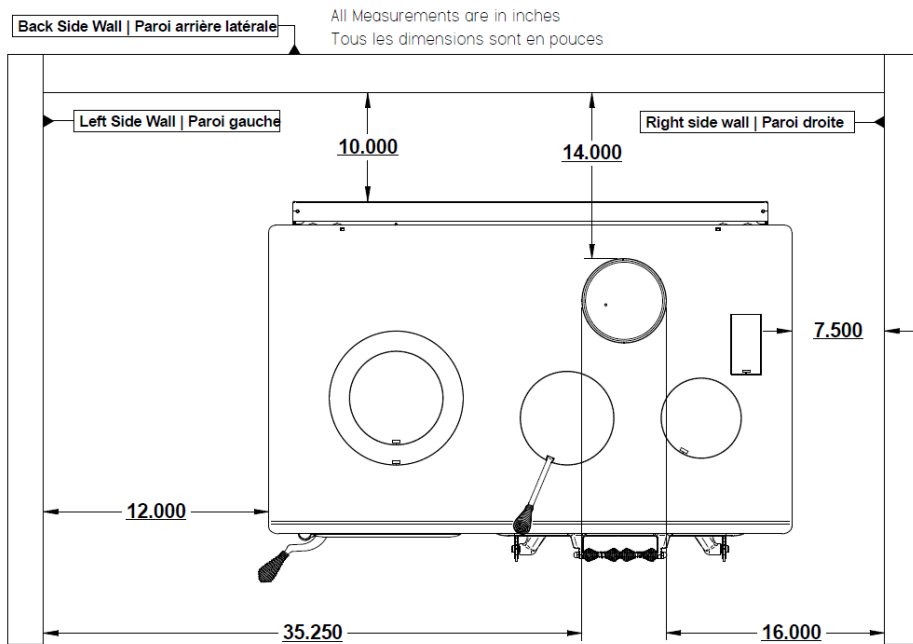
In Canada, UL 1482-2022 ULC S627-2026 requires a minimum clearance of 450 mm (18 inches) from a single wall flue pipe to a combustible surface, regardless of the flue pipe clearance noted on the product label

Here is the minimum clearance for different certified flue pipes:

Single wall flue pipe | Tuyau à paroi simple (CA/USA)

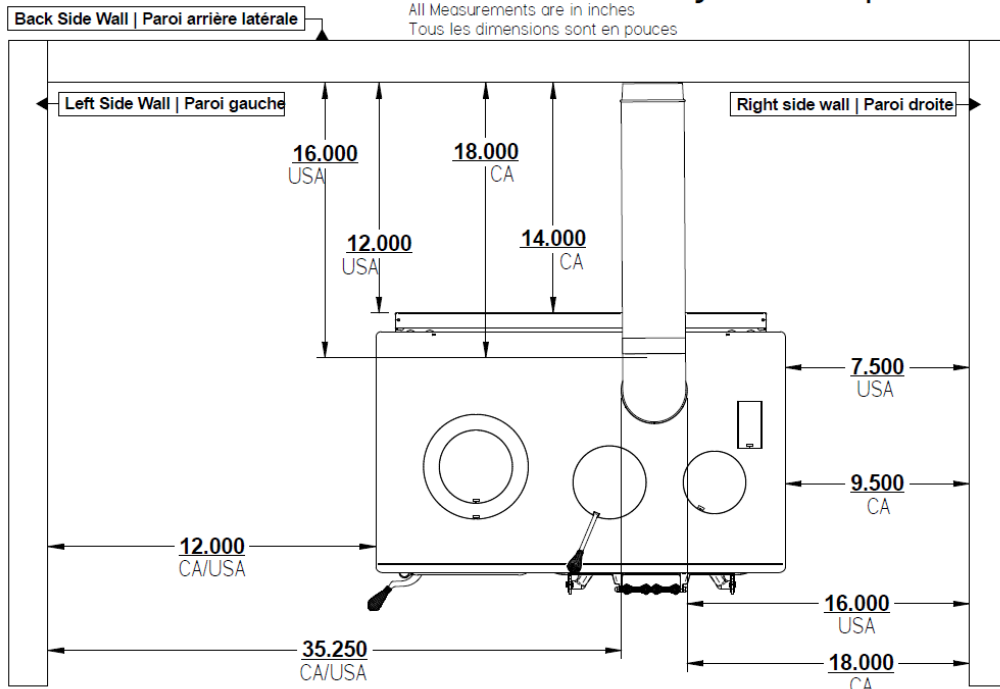


Double wall flue pipe | Tuyau à double paroi USA/CA

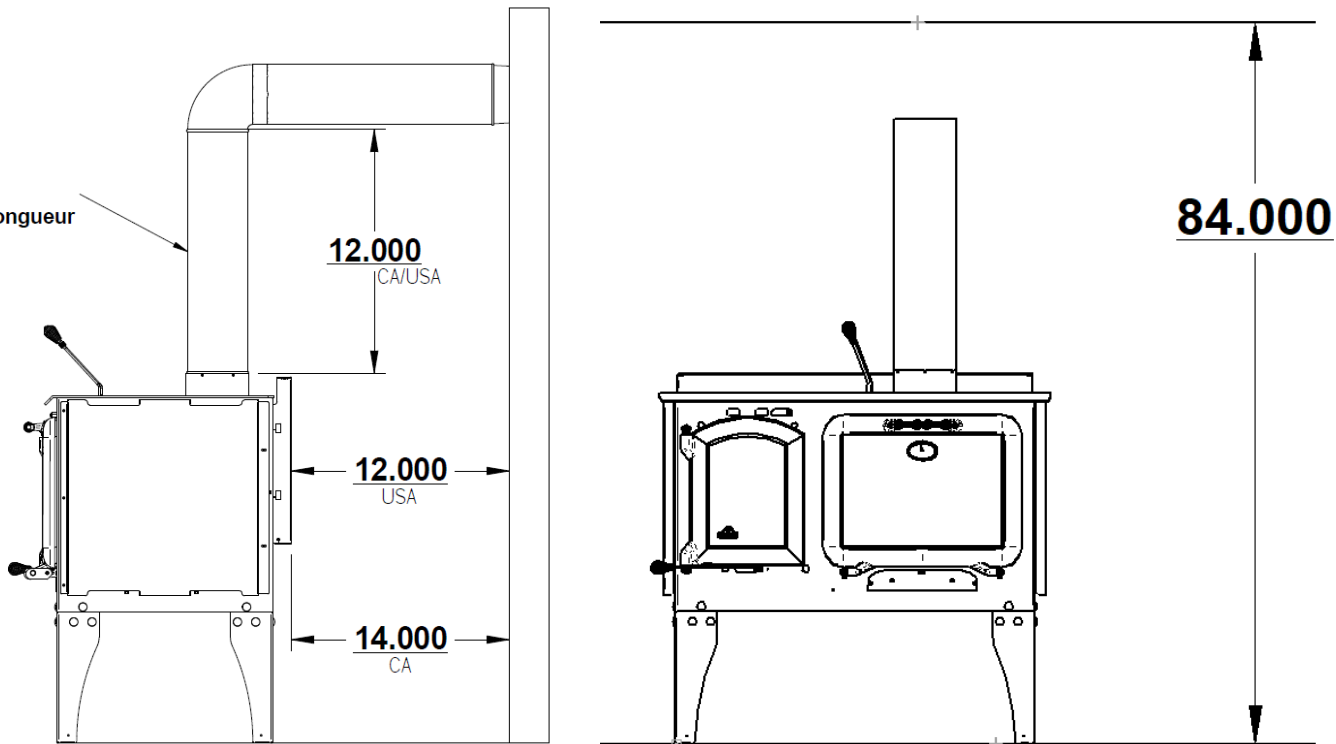


Through the wall single wall pipe USA/CA

À travers le mur avec tuyau simple



At least 12 in length
Au moins 12 pouces en longueur



To know how to reduce those dimensions, you must contact your local authority for installing a heat shield on a wall. Installations with reduced clearances must comply with UL 1482-2022 ULC S627-2026 standards.

Assembly before installation

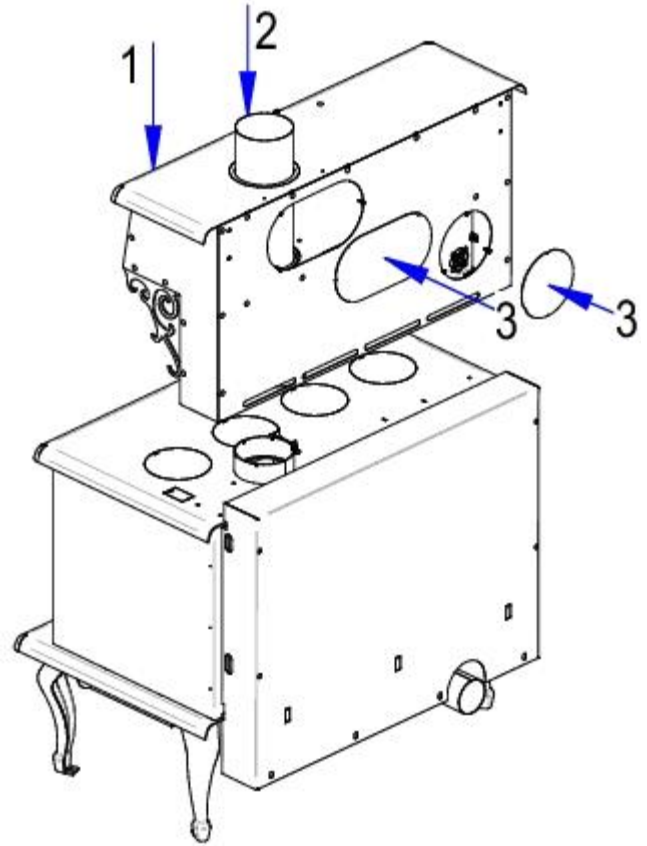
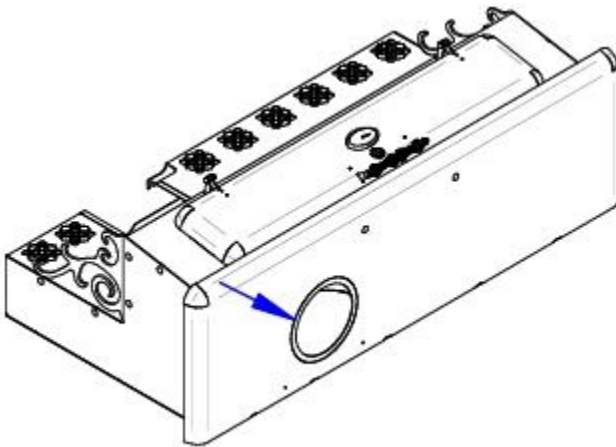
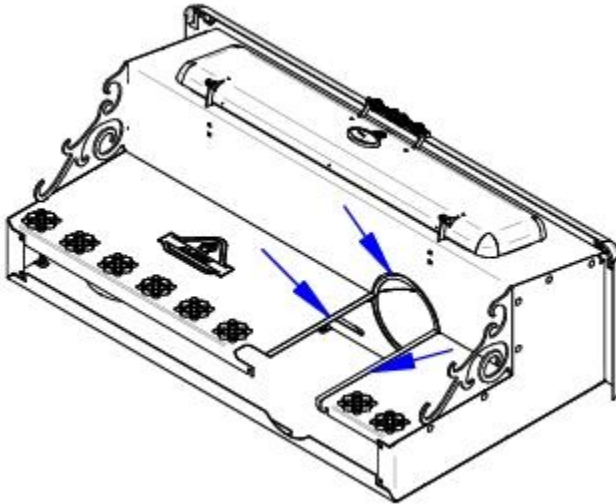
The warming oven top might not be assembled in the factory to save space for transportation and storage. You must therefore assemble these parts before installing the cook stove.

Warming oven top Assembly

At this moment, you need to know which type of smoke pipe you are installing: a single pipe or a double pipe.

For the single pipe, it is not necessary to remove the pre-cut metal part.

For the double pipe, remove the pre-cut metal parts (see the 2 following pictures) (see blue arrows)

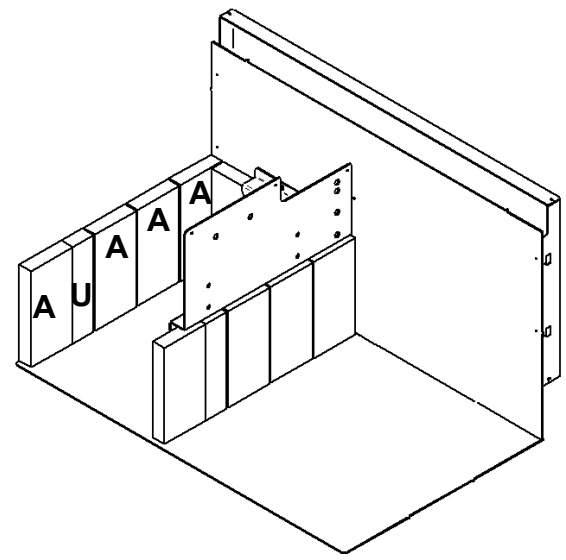
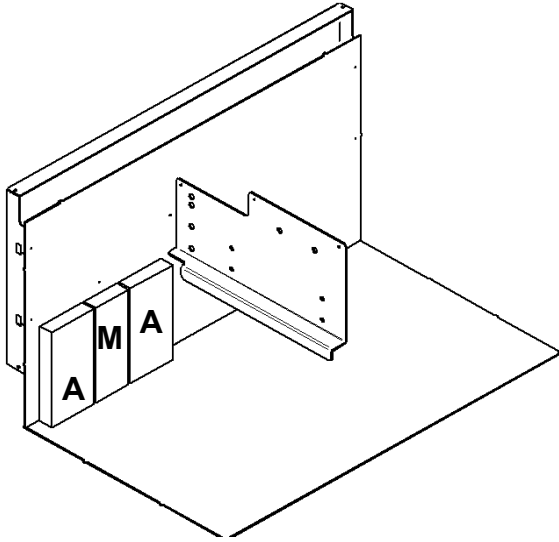


- 1) Remove the pre-cut metal parts if you install a double wall pipe.
- 2) Fix the warming oven on the top of the cook stove with 5 bolts and nuts (#1) or screws (depending on the model) See picture below
- 3) Insert the smoke into the warming oven and put 3 screws to fix the smoke pipe on the stove collar (#2).
- 4) Put the access panel at the good place (#3).

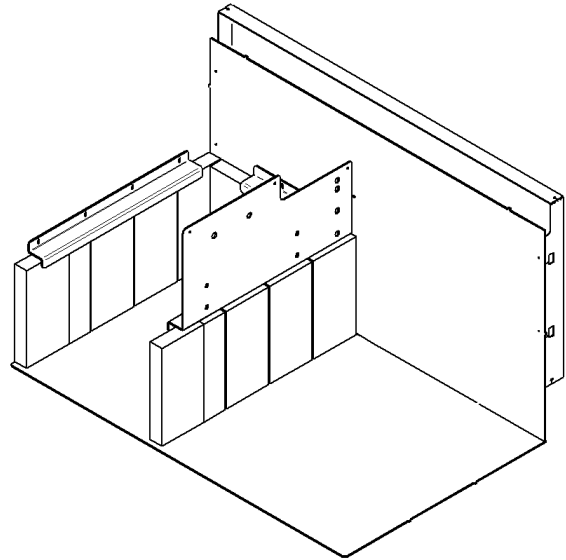
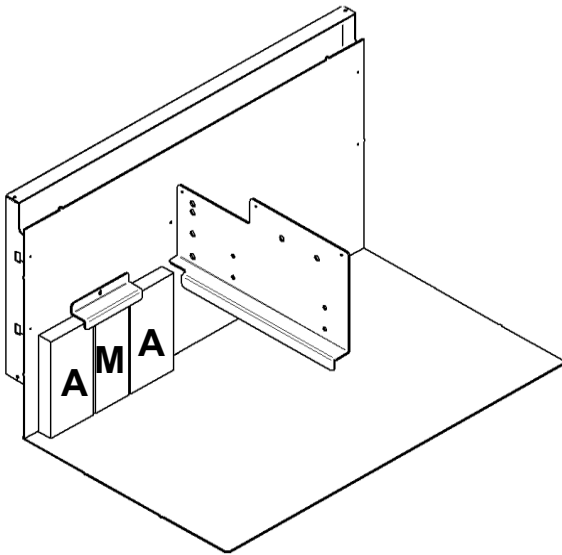
Firebrick installation

Back Side firebrick installation

Put 1 « M » brick in between 2 « A » bricks as shown.
Screw in the firebrick retainer.



Screw in the firebrick retainer

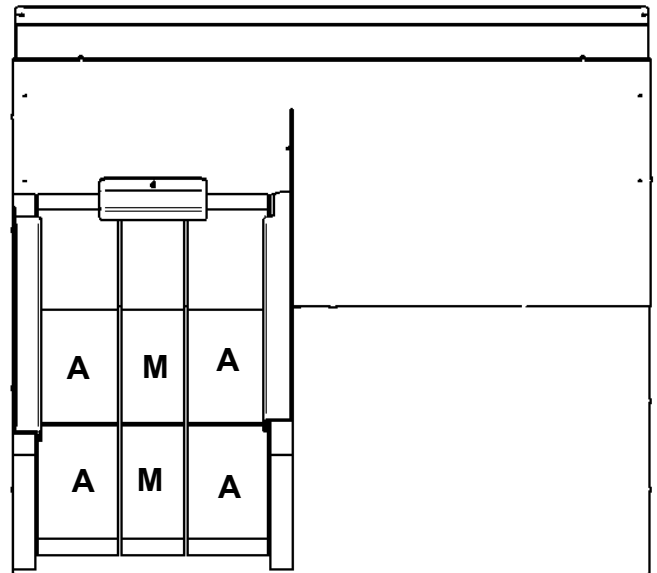
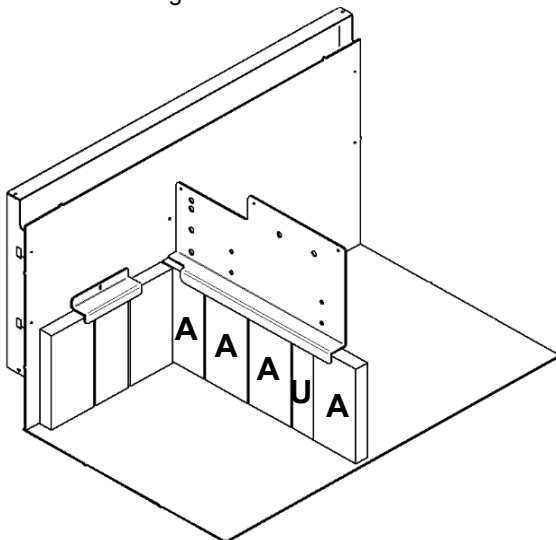


Floor's firebrick installation

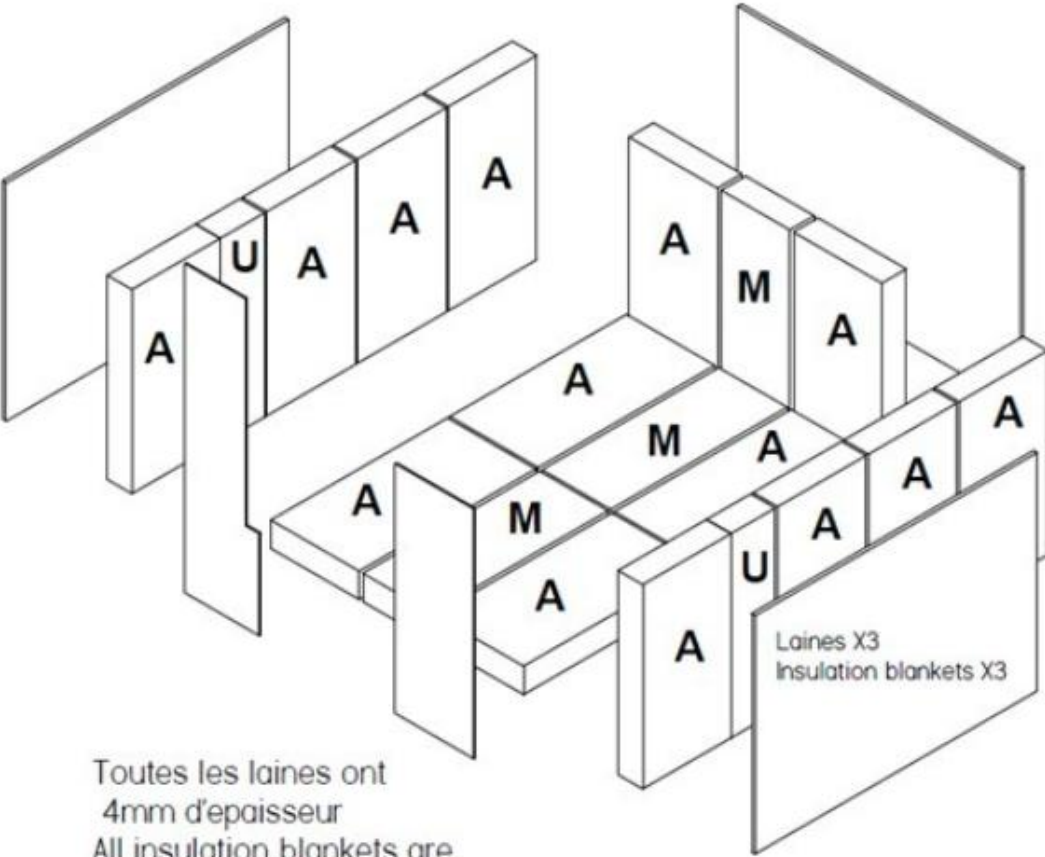
Put 2 « A » bricks, 2 « M » bricks and 2 « A » bricks as shown in the image below.

Side's firebrick installation

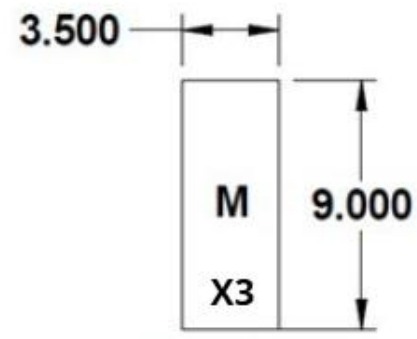
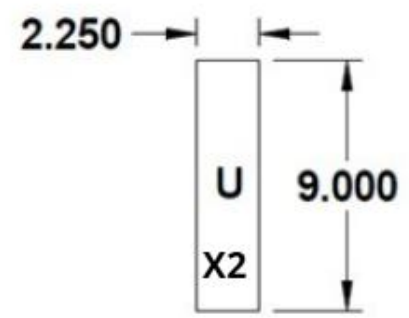
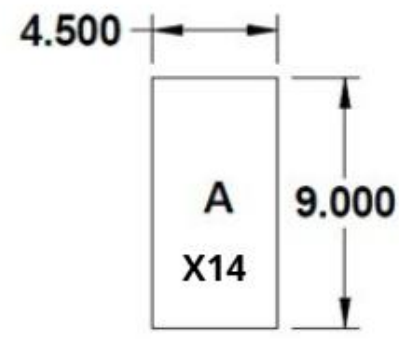
Put 3 « A » bricks and 1 « U » brick followed by 1 « A » brick as shown in the image below.



Firebox configuration & part list



Toutes les laines ont
4mm d'épaisseur
All insulation blankets are
4 mm thick



Toutes les briques ont 1.25 in d'épaisseur
All bricks are 1.25 in thick

General steps of stove installation

- 1) Read the entire installation manual before installing and using your stove.
- 2) Choose a place to install your cook stove. Read the sections about dimensions of floor protection, localisation of stove over the floor protection, and clearance to combustible materials. Once you have decided where to install the stove, mark the center of chimney on the floor.
 - To make sure the vertical center of the chimney, use a plumb line to mark on the floor.
- 3) Check if it is possible to pass chimney without damaging the structure of your house. You might have to move the location of the stove while keeping the minimum clearance. If you must cut a joist, be sure to respect the building code in effect to keep the structural integrity of your house.

Note: This appliance must be connected to:

- A HT type factory-built chimney approved UL103 or ULC S629 with 6 inches diameter (15.24 cm).
 - A conforming masonry chimney of 6-inch diameter (15.24cm) with qualified internal lining
- 4) Install the chimney following the manufacturer instructions.
 - 5) Put the stove on the floor aligned vertically with the center of chimney and trace the 4 sides of the stove vertically on the floor. Please remove the stove.

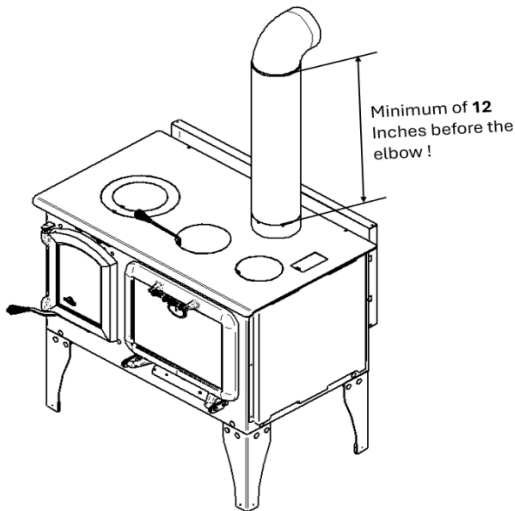
- 6) Mark the dimensions of protection panel on the floor.
- 7) Install the floor protection according to the mark. (It must be non-combustible)
- 8) Put the stove on the protection floor. Respect the edge clearance that you have set at step 6 and the centre of the chimney as well. We recommend fixing the stove to the floor with bolt in the slots in the stove legs made for this purpose. If you have a pedestal, use the holes made for this purpose.
- 9) If you have an outside air inlet you must use 4 inches (10.16 cm) flexible aluminum pipe. The pipe must be sealed with thermal resistant sealant
- 10) Install the chimney connector from the stove. The pipe must be attached with at least 3 screws, to the collars of the stove and the chimney, also each joint of connection.

Note:

- The single wall chimney connector must be 6-inch diameter (15,25 cm) and have a minimum thickness of 24 gauge (0.025 inches 0.64 mm).
- Do not use galvanised steel chimney connector.

Chimney connector installation

The chimney connector is a set of single wall flue pipes and elbow installed between the stove collar and the chimney collar. Components of single wall chimney connector are available at any hardware store and there is no precise standard or regulation. However, some rules must be followed to install solid fuel burning equipment. One of these rules is that, when installing the exhaust pipe through a wall, there must be at least 12 inches (305 mm) of straight pipe from the stove outlet before the elbow that turns into the wall.



Your J.A. Roby cookstove was approved for the use of a single and double wall chimney connector.

❖ Single wall chimney connector

For the single wall chimney connector, you must use the connector of 6 inches diameter with a minimum thickness of 24 gauge (0.025 inches 0.64 mm).

ATTENTION:

- Any horizontal section must be sloping upwards 1/4 inches (6.35 mm) by feet (30 cm) toward the chimney collar. This section should not exceed 36 inches (91.4 cm).
- The clearance between the roof and the single wall chimney connector must be 18 inches (45.7 cm) or more.
- Regarding the clearance between the roof and the double wall chimney connector, follow the manufacturer indication.

1. Assembly of connecting parts

Make a brief installation of all sections and elbows (if necessary) to ensure that you respect the clearances and inclinations of the horizontal sections. You must also verify if you have all the necessary parts for final installation.

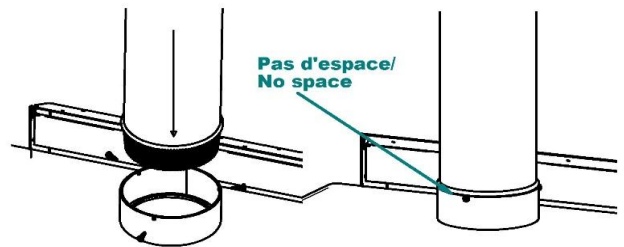
- For direct vertical installation, you will need:
 - 1 x vertical section of 12 inches (30.5 cm) minimum (24 inches (61 cm) or more in case of warmer included)
 - 1 x adequate length of telescopic chimney part allowing you to connect the last chimney connector section to the chimney collar.

Note: For higher roof, more parts might be needed.

- For horizontal installation, you will need:
 - 1 x vertical section of 12 inches (30.5 cm) minimum, (24 inches (61 cm) or more in case of warmer included)
 - 1 x 90° elbow.
 - 1 x adequate length of telescopic chimney part.

Note: For better performance, two 45-degree elbows with or without straight section in between are preferable.

2. Disassemble the whole thing and start screwing the pieces from the stove to the roof chimney collar.
3. Insert entirely the roll formed end into the stove collar and fixing it with a minimum of 3 screws.



WARNING: It is mandatory to attach the pipe to the stove collar and at each joint with at least of 3 screws.

4. Install all the next section up to the chimney support collar and be sure to attach all parts with at least 3 screws.
5. Install all other parts and attach them up to the chimney collar.
6. Attach the connection pipe with 3 screws.

DO NOT CONNECT THIS APPLIANCE TO A CHIMNEY SERVING ANOTHER APPLIANCE.

CONNECTOR PIPES SHOULD NEVER GO ACROSS A CEILING, A WALL, A CLOSET, AN ATTIC OR OTHER ENCLOSED AREA THAT COULD CAUSE HEAT BUILDUP. IF YOU NEED TO PASS THROUGH COMBUSTIBLE MATERIAL, MAKE SURE THAT YOUR INSTALLATION COMPLIES WITH CAN / CSA-B365.

DO NOT INSTALL THE CHIMNEY DIRECTLY AT THE OUTLET OF THE APPLIANCE. A CHIMNEY CONNECTOR (FLUE PIPE) IS REQUIRED UNLESS THE APPLIANCE IS SPECIFICALLY APPROVED FOR THAT TYPE OF INSTALLATION

DO NOT INSTALL IN A TRANSPORTABLE BUILDING

General steps of chimney installation

Use only approved chimneys of the same size as the output of the appliance, which means 6 inches in the case of Cookstove. The chimneys used must be tested according to UL 103 (type HT) in USA.

It is preferable, if possible, to avoid a chimney built outside of a house and on an exterior wall, especially in cold regions. Outside chimneys generally have a less efficient draft. They can even have down draft since it is hard to heat them enough so that they can reach their operating temperature. Cold chimneys have tendencies of greater accumulation of creosote, less efficient draft and worse efficiency. Draft is proportional to the total chimney height as well as its temperature. It is therefore possible to get better draft by increasing the chimney's height and by reducing the heat loss with insulated lining. Make sure that all pipe joints are airtight. A leak reduces the efficiency of the appliance and could even make its usage dangerous. Using a high temperature silicon or cement to ensure that the smoke pipe joint is airtight. If the chimney pass through the exterior wall or insulated roof be sure the hole after installation needs to be airtightness. Use sealant to make the building airtight.

Note: This is a general chimney installation method. Be sure to refer to the manufacturer's manual for more details of installation of your chimney.

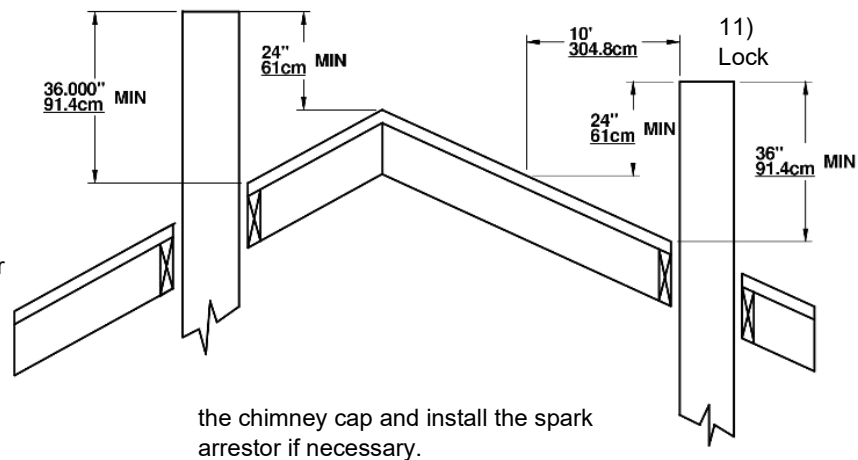
- 1) Determine the total length necessary for your chimney.
- 2) Make holes into all floors and roof.
- 3) If you need to cut a joist, be sure to strengthen the adjacent joists and frame the hole respecting the minimum dimensions between combustible materials and the fireguard. Follow the manufacturer's instructions supplied with the fireguard. **Never cut a loadbearing joist/beam.**
- 4) Frame the holes in each level and attic respecting the minimum distance recommended by the manufacturer of your chimney. Install fireguard in each level.

- 5) Frame the hole into the roof.
- 6) Install a chimney support and a fireguard in the ceiling where cook stove is installed.
- 7) Stack the prefabricated chimney sections on the support and exceed the roof.
 - The chimney must exceed at least 3 feet (91.4 cm) from the highest point of the hole in the roof.
 - The chimney must also be at least 2 feet over the highest point on the roof inside 10 feet (304 cm) radius around the chimney.
 - The minimum length of chimney is 12 feet (365.8 cm).

ATTENTION: Be sure the chimney parts are attached properly and lock onto the chimney support.

Note: A chimney longer than the minimum required can add more draft and help the operation of the cook stove. Try the minimum length first then add section if you need more draft.

- 8) Put the roof flashing over the chimney and seal it with roof caulking.
- 9) Nail the roof flashing.
- 10) Slide the storm collar over the chimney and fix it. Seal it with high temperature caulking.

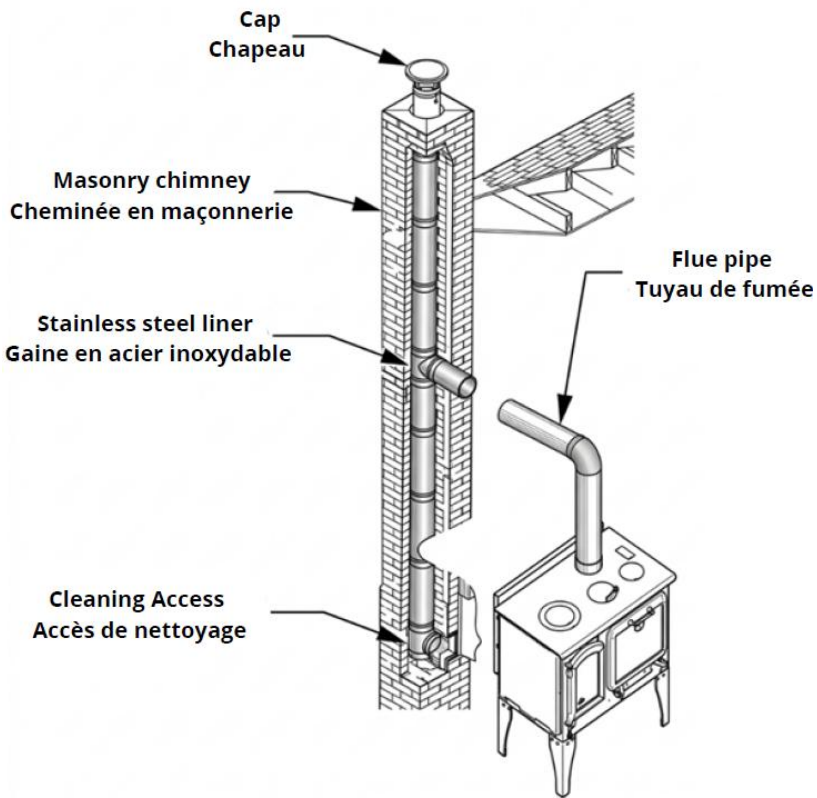


Vertical Installation Inside Masonry Chimney

The cookstove must be installed in accordance with the applicable local laws or the NFPA211 (USA) norms. Follow the chimney manufacturer's instructions to install the chimney.

The chimney masonry must have inside a certified metallic sleeve cover up all the chimney height. The sleeve must be at the same diameter of the flue collar; 6 inches (15.2 cm). The junction between sleeve and the chimney connector must be tight and sealed to avoid fume to go indoor.

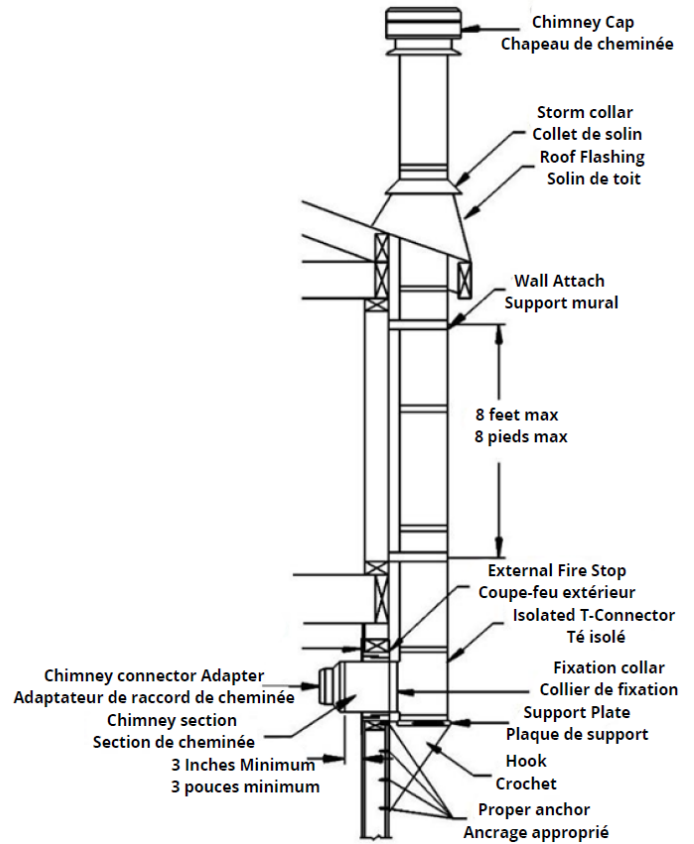
To pass into a combustible wall between stove and the masonry chimney. The installation method must be safe to prevent fire. Find the last information to your local authority to be sure of the manner you must.



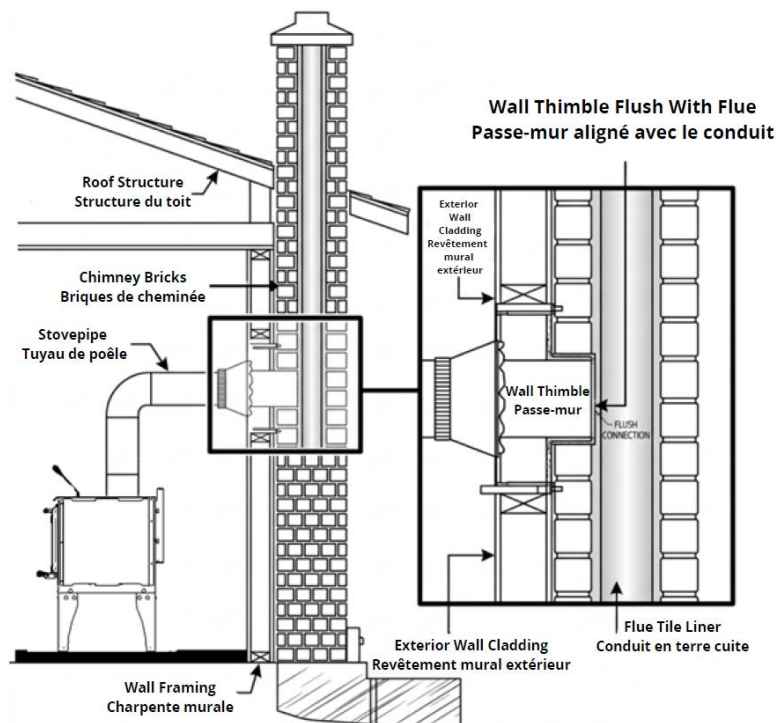
The stove may also be connected to a masonry chimney, provided the chimney complies with the construction rules found in the building code enforced locally. The chimney must have either a clay liner or a suitably listed stainless steel liner. If the masonry chimney has a square or rectangular liner that is larger in cross-sectional area than a round 6" flue, it should be relined with a suitably listed 6" stainless steel liner. Do not downsize the flue to less than 6" unless the venting system is straight and exceeds 25 feet in height. When passing through a combustible wall, the use of a certified insulated thimble is required.

Outside Vertical Installation

The wood cookstove must be installed in accordance with the applicable local laws or the NFPA211 (USA) norms. Follow the chimney manufacturer's instructions to install the chimney.



To pass into a combustible wall between stove and the chimney. The installation method must be safe to prevent fire. Find the last information to your local authority to be sure of the manner you must. An internal fire stop and an external fire stop must be used.



Vertical Installation on Cathedral Roof

The wood cookstove must be installed in accordance with the applicable local laws or the NFPA211 (USA) norms. Follow the chimney manufacturer's instructions to install the chimney.

Always pass chimney between joists. If a joist needs to be cut, referring to the National Building code to know how to do it safely to avoid structural integrity fail. Call a carpenter or a certified Installer.

Always frame around chimney. Keep minimal clearances written into your chimney manual.

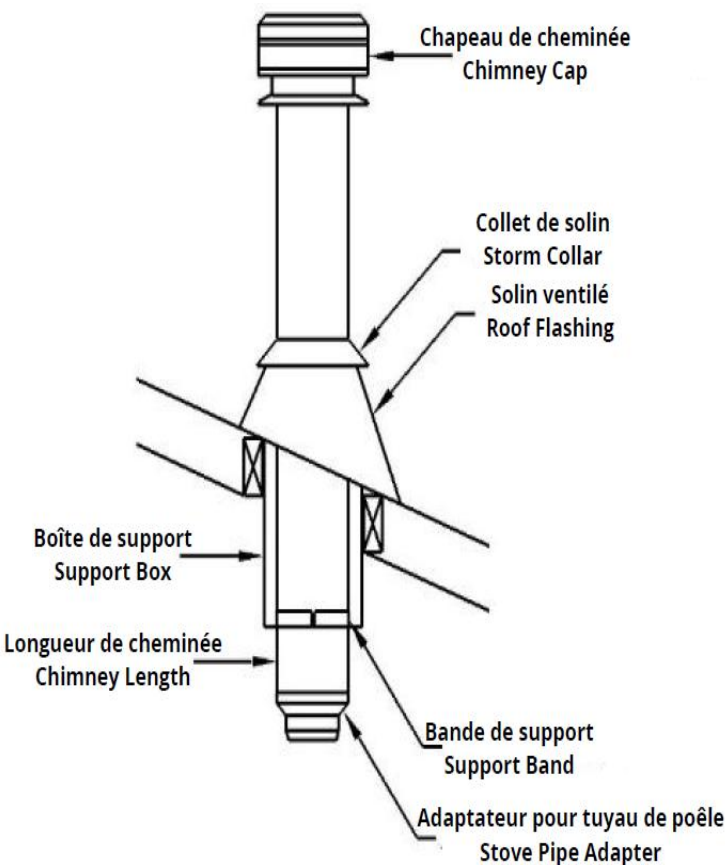
Do not fill the gap between the fire stop and the chimney. Nothing must be in contact with the chimney.

Always install a fire stop at each level, in a Floor, in a ceiling, attic and in a Roof.

Always pass with a straight section into a level joist.

The chimney should be support by the cathedral roof. Build a box around it to install ceiling support at its base.

The Weight of the chimney shall never be supported by the stove.



Offset Vertical Installation

The wood appliance must be installed in accordance with the applicable local laws or the NFPA211 (USA) norms. Follow the chimney manufacturer's instructions to install the chimney.

Always pass chimney between joists. If a joist needs to be cut, referring to the National Building code to know how to do it safely to avoid structural integrity fail. Call a carpenter or a certified Installer.

Always frame around chimney. Keep minimal clearances written into your chimney manual.

Do not fill the gap between the fire stop and the chimney. Nothing must be in contact with the chimney.

Always install a fire stop at each level, in a Floor, in a ceiling, attic and in a Roof.

A special fire stop needs to be installed into the attic. It keeps isolation and avoids the attic isolation to be in contact with the chimney.

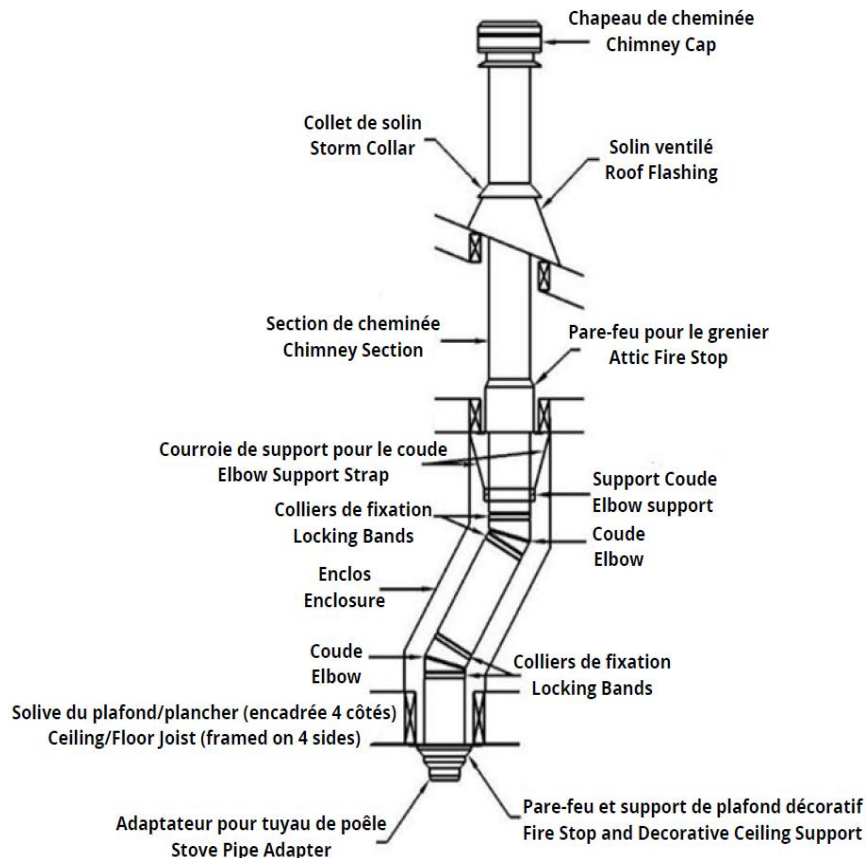
Always pass with a straight section into a level joist.

Chimney weight must be supported by the lower level with a ceiling support.

Chimney weight must never be onto the elbows. Install a support band to support the upper straight section over the elbow.

Weight of the chimney can't be allowed to be supported by the stove.

Some restriction must be respected regarding the maximum angle and length of the offset. See chimney manual for this restriction. Or local building code.



Vertical Installation

The wood appliance must be installed in accordance with the applicable local laws or the NFPA211 (USA) norms. Follow the chimney manufacturer's instructions to install the chimney.

Always pass chimney between joists. If a joist needs to be cut, referring to the National Building code to know how to do it safely to avoid structural integrity fail. Call a carpenter or a certified Installer.

Always frame around chimney. Keep minimal clearances written into your chimney manual.

Do not fill the gap between the fire stop and the chimney. Nothing must be in contact with the chimney.

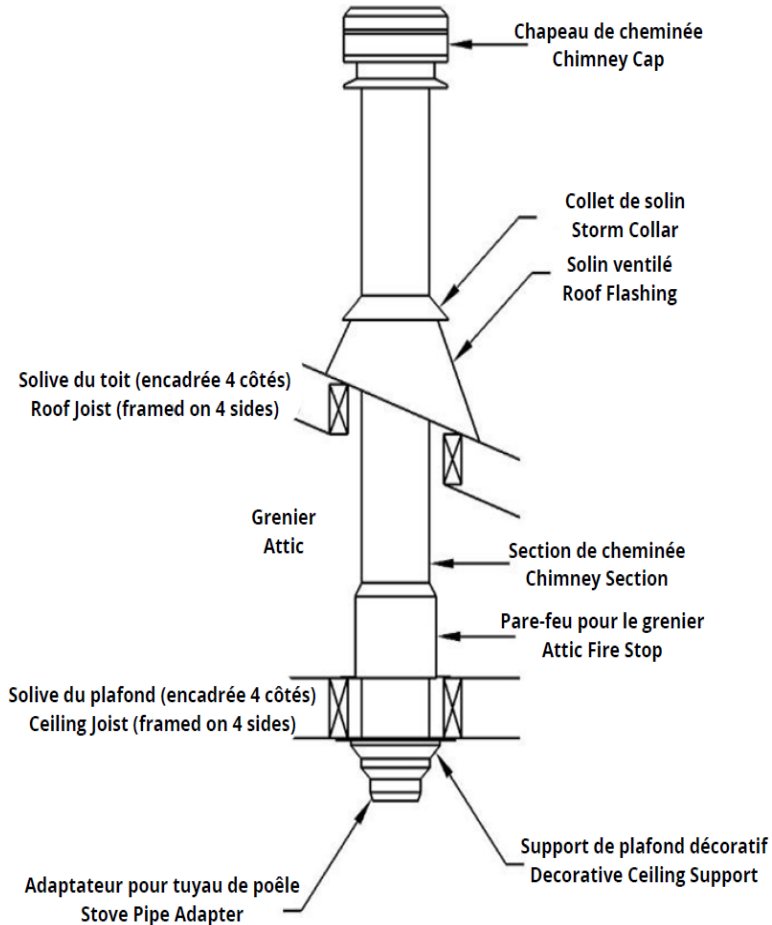
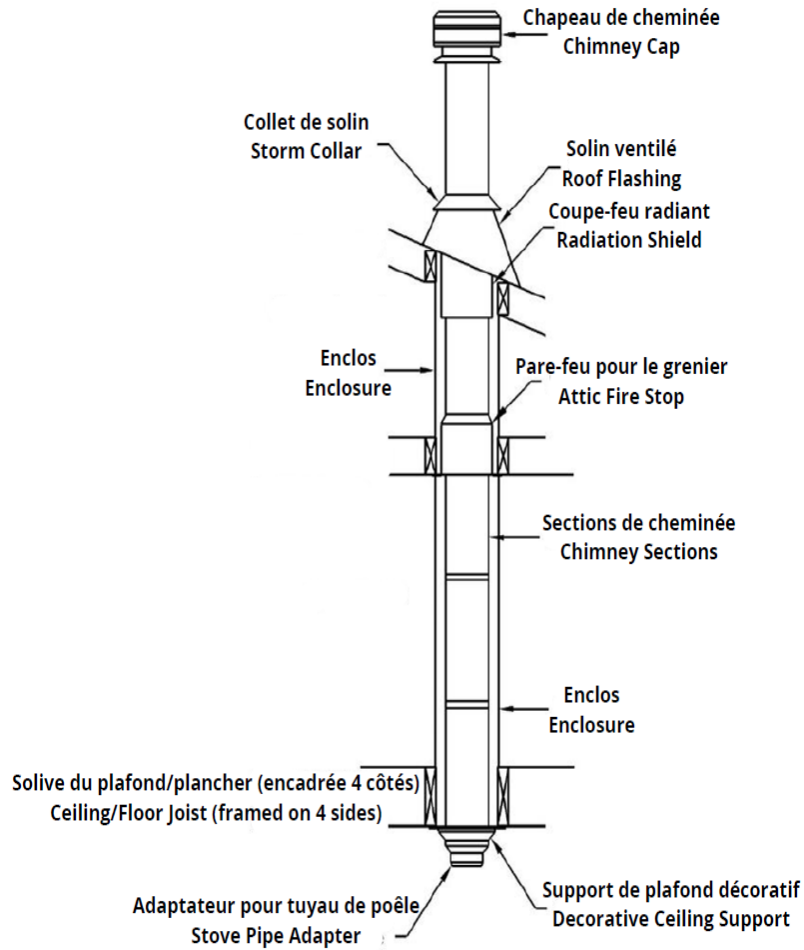
Always install a fire stop at each level, in a Floor, in a ceiling, attic and in a Roof.

A special fire stop needs to be installed into the attic. It keeps isolation and avoids the attic isolation to be in contact with the chimney.

Always pass with a straight section into a level joist.

Chimney weight must be supported by the lower level with a Ceiling support.

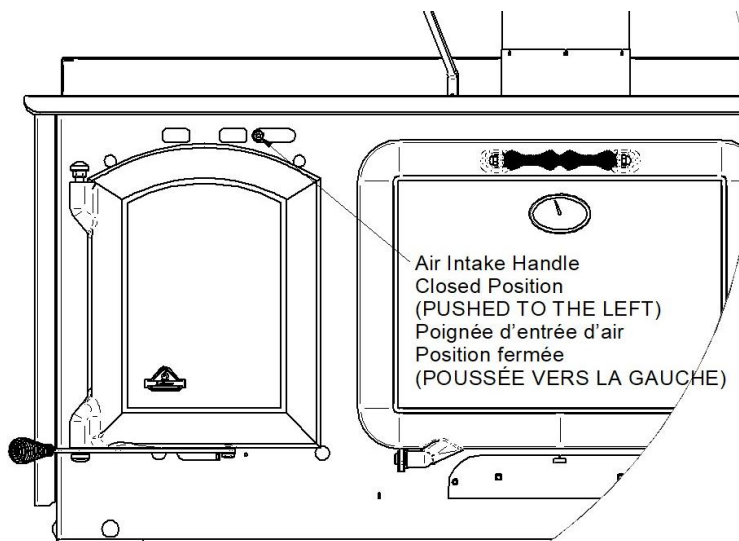
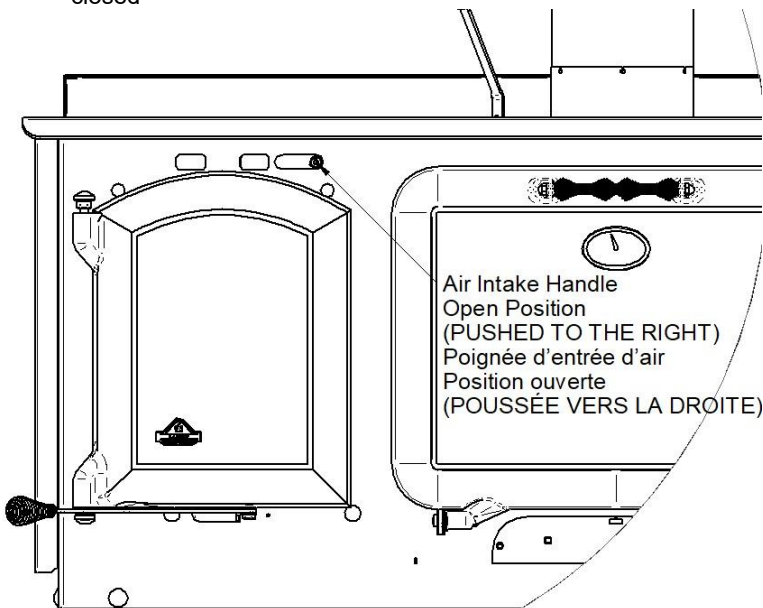
Weight of the chimney must never be allowed to be supported by the stove.



Operating Instructions

Air Intake Control

When the handle is pushed to the right side the air intake is open. When the handle is pushed to the left the air intake is closed



NEVER USE GRATE OR ANYTHINGS ELSE TO ELEVATE THE FIRE, make fire directly on firebricks

WARNING: Running your stove with the air intake open for a long period of time, can damage the stove.

OPERATE ONLY WHEN DOOR IS CLOSED: Keeping the door open might over fire and cause permanent damage to the stove or a chimney fire.

IT IS PROHIBITED TO MODIFY THE AIR ADMISSION TO OBTAIN HIGHER HEAT OR FOR ANY OTHER REASON.

Lightning fire

After installing correctly, the stove following the installation instruction of the manufacturer, you are ready to light it.

- 1) Open the air intake (Push to the right).
- 2) Be sure that all the covers of cooking holes are placed properly.
- 3) Put paper and lightning wood into the combustion chamber and light them as you do normally.
- 4) Close the door partially leaving a slight opening. When chimney have enough heat buildup, close the door completely and wait for a good fire buildup.
- 5) Once you have an ember fire, it's time to add logs. Follow now the instruction section on how to keep a fire

DO NOT LOAD THE STOVE OVER THE UPPER BRICK ROW

You can control the combustion by pushing left and right the handle. The wood will burn more rapidly when more airflow is set. Otherwise, the wood burns more slowly and more efficiently when less airflow is set.

NEVER LEAVE THE STOVE UNATTENDED WHEN THE DOOR IS SIGHTLY OPEN. ALWAYS CLOSE THE DOOR AFTER LIGHTNING.

DO NOT USE ABRASIVE CLEANERS ON THE GLASS AND NEVER CLEAN THE GLASS WHEN IT IS HOT.

CAUTION: NEVER USE GASOLINE, GASOLINE TYPE LANTERN FUEL, KEROSEN, CHARCOAL LIGHTER FLUID, OR SIMILAR LIQUIDS TO START OR "FRESHEN UP" THE FIRE IN THIS STOVE. KEEP ALL SUCH LIQUIDS AWAY FROM THE HEATER WHILE IT IS IN USE. DO NOT BUILD THE FIRE NEAR THE FRONT GLASS.

First fire

For the first hours of operation, you must heat your appliance gradually. To allow an appropriate baking of the paint and to facilitate its adhesion with metal, do not heat the appliance with a strong fire. It will also avoid thermal shock which could lift the paint or make the color fade. Make sure that the room is ventilated enough to eliminate the odor and the smoke coming from the paint. It is normal that a light smoke is released from the paint for the first time.

Open the windows and the doors to ensure a good ventilation. This special paint is conceived to tolerate temperatures until 1200°F (650°C).

Keeping a fire

To add firewood into the stove and keep a fire:

- 1) Put the handle at the full-open position and open the door half-open. Wait for the fire to get stable.
- 2) Open the door widely.
- 3) Move embers with poker near the door to supply oxygen and burn them completely.
- 4) Add firewood over the ember keeping it away from the glass door to avoid flame touching the ceramic glass. Close the door slightly and leave the wood burning.
- 5) Once the fire gets stable, close the door completely.
- 6) Adjust the air admission handle if necessary.

You can control the airflow by adjusting the intake handle by pushing it right and left (Open / Closed)

ATTENTION:

DO NOT LOAD THE STOVE OVER THE LEVEL OF FIREBRICKS.

DO NOT BUILD THE FIRE NEAR THE DOOR GLASS.

NEVER LEAVE THE STOVE UNATTENDED WHEN THE DOOR IS SLIGHTLY OPEN. ALWAYS CLOSE THE DOOR AFTER ADDING A LOAD.

CAUTION: NEVER USE GAZOLINE, GAZOLINE TYPE LANTERN FUEL, KEROSEN, CHARCOAL LIGHTER FLUID OR SIMILAR LIQUID TO START AND “FRESHEN UP” THE FIRE IN THIS HEATER. KEEP ALL SUCH LIQUIDS AWAY FROM THE HEATER WHILE IT IS IN USE.

Operation of cooking holes

Cooking holes have removable covers so that you can take them off and put skillets directly over the heat from the smoke. To take off the covers, you must use the handle provided for this purpose. It is set in the storage hole at the right hand of the stove to keep it relatively cold.

To open a cooking hole:

- 1) Insert the end of the handle into the opening of the cooking hole cover.
- 2) Tilt the handle to the outside and lift the opposite side of the cooking hole cover.
- 3) Lift the cover and place it by the hole.
- 4) Bring back the handle into the storage hole.
- 5) Put your cooking pan over the cooking hole to cover the entire hole.

To close the cooking hole:

- 1) Insert the end of the handle into the opening of the cooking hole plate.
- 2) Bring back the cover to the cooking hole.

WARNING:

- **DO NOT SUPPLY WOOD TO FIRE FROM THE COOKING HOLE.**
- **THE COOKING HOLE COVERS MUST BE IN PLACE AT THE MOMENT OF LIGHTNING AND AS LONG AS THE CHIMNEY IS COLD.**
- **IF THE COOKING HOLE COVERS ARE HOT, LEAVE THEM ON THE SURFACE OF THE STOVE.**
- **TO AVOID SKIN BURN, NEVER LEAVE THE COOKING HOLE HANDLE ON THE STOVE AND STORE IT IN THE STORAGE HOLE.**
- **AVOID USING NON-STICK COOKWARE DIRECTLY OVER THE COMBUSTION CHAMBER. THEY ARE NOT RESISTANT TO THE EXTREME HEAT FROM THE COMBUSTION CHAMBER AND THEY CAN BE DAMAGED.**

Wood storage

The cordwood must be store into dry place, away from bad weather. It should not be stored under or near the stove. If any wood is stored next to the stove, it must respect the minimum clearances to avoid self-ignition temperature.

NEVER STORE WOOD UNDER THE COOK STOVE

Maintenance

Establish a routine for the fuel, wood burner and firing technique. Check daily for creosote build-up until experience shows how often you need to clean to be safe. Be aware that the hotter the fire the less creosote is deposited, and weekly cleaning may be necessary in mild weather even though monthly cleaning may be enough in the coldest months. Contact your local municipal or provincial fire authority for information on how to handle a chimney fire. Have a clearly understood plan to handle a chimney fire.

Ash Removal

The wood burning makes some residual called ash and it must be removed from the combustion chamber to help oxygen circulation.

The ash must be removed periodically every 2 or 3 days during heavy warming period. Never leave excessive accumulation into the combustion chamber because it can reduce performances of your stove by limiting the air circulation between logs.

The best time to remove ash is after a long warming period, as in a morning, when the stove is relatively cold enough to manipulate ash and the chimney is still hot. The hot chimney draft will vacuum the dust inside the stove.

To remove ash from the combustion chamber, you must have the following tools:

- Steel ash shovel.
- Ash brush.
- A metal bucket with airtight lid or similar product for this purpose.

Some embers are mixed with ash and remain lit a few hours or even a few days. It is therefore very important that the metal bucket has an airtight lid. The bucket must be put on a non-combustible tile or brick.

To clean the combustion chamber, use the small metal shovel to remove most of the ashes and embers and place them in your ash container.

Ash Disposal

Some embers are mixed with ash and can remain lit. If embers have enough oxygen, it can stay lit some hours and even some few days.

It's therefore mandatory to store ash:

- In a hermetic metal container with an airtight lid,
- Outside the house on a non-combustible material,
- Far enough any combustible material, inflammable liquid and vapor.

If the ash is disposed of by burial in soil or otherwise locally dispersed, they should be retained in the closed container until all cinders have thoroughly cooled.

NEVER PUT WASTE INTO THE ASH CONTAINER.

Creosote Formation

When wood is burning slowly, it produces tar and other organic vapors which are combined with expelled moisture to form creosote. The creosote vapor is condensed in the cold chimney and, as a result, creosote residue accumulates on the flue lining. When it burns, the creosote releases intense heat and it might result in a chimney fire.

The chimney connector and chimney should be inspected at least once every two months during the heating season to determine if a creosote buildup has occurred.

Chimney Inspection

Wood moisture, wood species and the combustion quality are the factors that can influence the speed of creosote buildup into chimney and chimney connector.

The chimney and the chimney connector must be inspected at least one every two months during the warming season. You can call a Chimney sweeper to evaluate the creosote formation, or you can do it yourself. Extinguish the wood stove and wait until it gets cool. Then unscrew the chimney connector to verify it. Inspect the factory build chimney with a spotlight to see if a creosote buildup has occurred. For a masonry chimney, insert a mirror in the cleanout opening at the bottom. For an outdoor factory build chimney, open the cap at the bottom of chimney to inspect inside. It is preferable to do the inspection on a sunny day so that you would have enough light.

With creosote buildup of 1/8 inch (3 mm) or more, the diameter gets so small that you cannot see the chimney cap. It's a sign that it is time to sweep your chimney and remove creosote to avoid a chimney fire.

Ensure that the chimney and the required chimney connector are in good condition and always kept clean.

Chimney Sweeping

Chimney Sweeping needs special tools like some glass fiber rods and a suitable brush to the chimney's diameter.

It also requires going up on the roof to remove the chimney cap and even a part of the chimney in case that your chimney exceeds 5 feet from the roof.

We recommend calling a Professional chimney Sweeper certified by APC in Quebec, the WETT in the rest of Canada.

Door maintenance

The door is the mobile element that need a special attention, do not abuse it. Avoid striking or slamming it shut. Its tightness is primordial. If you see the white soot sticking on the door glass and on the surface where the air passes, it is the time to change the braided glass fibre rope.

It is necessary to keep the firing and de-ashing doors always closed and to maintain all seals in good condition.

Air Tighten Adjustment

If the braided glass fiber rope still seems good enough but little flatten, it needs probably to be stuck against the door.

Door adjustment (hinges side)

Important: To keep squareness of the door, keep the door locked and loosen only one hinge at a time.

- 1) Loosen lightly upper hinge
- 2) Push the door against the stove so that the glass fibre rope is flattened.
- 3) Keeping the door pressed against the stove, tighten the upper hinge.
- 4) Loosen lightly lower hinge.
- 5) Push the door against the stove so that the glass fibre rope is flattened.
- 6) Keeping the door pressed against the stove, tighten the lower hinge.
- 7) Open the door and slide a piece of paper in the gap in the door, then close the door.
- 8) If you can easily pull out the paper without tearing, please repeat the previous steps.
- 9) Even after several attempts, if the paper comes off easily, the braided glass fiber rope must be changed.

Door adjustment (right side)

You can do this adjustment with the screw under the door near the hook hole.

- 1) Unlock and open the door.
- 2) With a square-headed screwdriver, turn clockwise the adjustment screw a quarter turn.
- 3) Put a piece of paper between the stove and braided glass fiber rope, then close and lock the door.
- 4) If the paper easily comes out when you pull it, repeat step 1 to 3 again.
- 5) If the screw is completely tightened and the paper comes out easily, you must change the braided glass fiber rope.

Some models might have two screws apart on the front +face. These must not be unscrewed in any case. They hold the rolling mechanism to lock the door.

Cleaning up glass

To clean the door glass, J.A. Roby Inc. recommends using products for this purpose or an oven cleaner only for glass part.

- Avoid cleaning hot glass and cleaning with abrasive. Cleaning hot glass can cause a thermal shock and break the glass.

Disassembly and reassembly of door

Do not unscrew the lower hinge when disassemble the door.

- 1) Keep the door locked.
- 2) Loosen the upper hinge without removing the nut.
- 3) Unlock the door and open it while holding it.
- 4) Tilt the door slowly downward to remove the upper hinge
- 5) Lift the door and remove the lower hinge.

Installing the door:

- 1) Insert the bottom hinge and bring up the door. Place the nail in the upper hinge.
- 2) Close and lock the door, then make sure the door is placed horizontally.
- 3) Tighten the upper hinge and align the washer with the hinge support.
- 4) Carry out the air tighten adjustment.

Replacing broken glass

- **Do not hit the glass to avoid breaking it.**
- **Do not pour water. It might cause thermal shock.**
- **Do not slam the door.**
- **Do not build fire too close the door.**

WARNING: NEVER USE THE STOVE WHEN THE GLASS IS BROKEN OR CRACKED.

Replace only with a 5 mm ceramic glass with the right shape. Contact your retailer to get the replacement glass panel.

DO NOT USE SUBSTITUTE.

How to replace the glass

- 1) Loosen partially the screws retaining the four glass supports.
- 2) Remove the broken pieces of glass and clean the door.
- 3) There must be a flat glass fibre rope for airtightness around the glass. You must install new one in case of loss or damage. The flat glass fiber rope is self-adhesive. Stick it around the glass without pressing it excessively.
- 4) Install the new glass panel and replace the lower support first and gently tighten screw. If you tighten it too much, it might make a pressure point and break the glass when it becomes hot. Then press gently the glass fibre rope against the door.
- 5) Install the upper support and tighten the screws gently but not too tight.
- 6) Check all the screws.

If it is impossible to replace the glass in vertical position, you may have to remove the door. Refer to the section concerned in this manual.

Replacing glass fiber rope

When the braided glass fibre rope is all flattened out, it becomes impossible to close the door hermetically. This means that the glass fibre rope is no longer usable or that the rope is damaged. You must therefore replace it.

Use a ½ inch (12.7mm) braided glass fiber rope.

It is preferable to detach the door from the stove when you replace the rope. Refer to the section concerned in this manual.

Glass fiber rope preparation

- 1) Take the end of the glass fiber rope and tuck fiber inside to make a clean end.
- 2) Put little amount of high temperature sealant, such as latex or silicone, at the end of the fiber glass rope so that it won't come loose.
- 3) Remove old glass fiber rope from the door and clean the groove.
- 4) Starting from the lower corner near the hinge, put the glass fiber rope into the groove without giving any tension. Verify the length of rope.
- 5) Cut it ½ inches over the require length and repeat step 1 and 2.

Glass fiber rope installation

- 1) Put a high temperature sealant in the clean groove to glue the glass fiber rope.
- 2) Place glass fiber rope into the groove starting from the lower corner near the hinge without giving any tension
- 3) Glue the two-glass fiber rope ends with high-temperature sealant to make a right angle.
- 4) Let dry the sealant for at least 48 hours before use. Reassemble the door on the hinges if you uninstall it and readjust the airtightness.

What to do in case of Chimney Fire

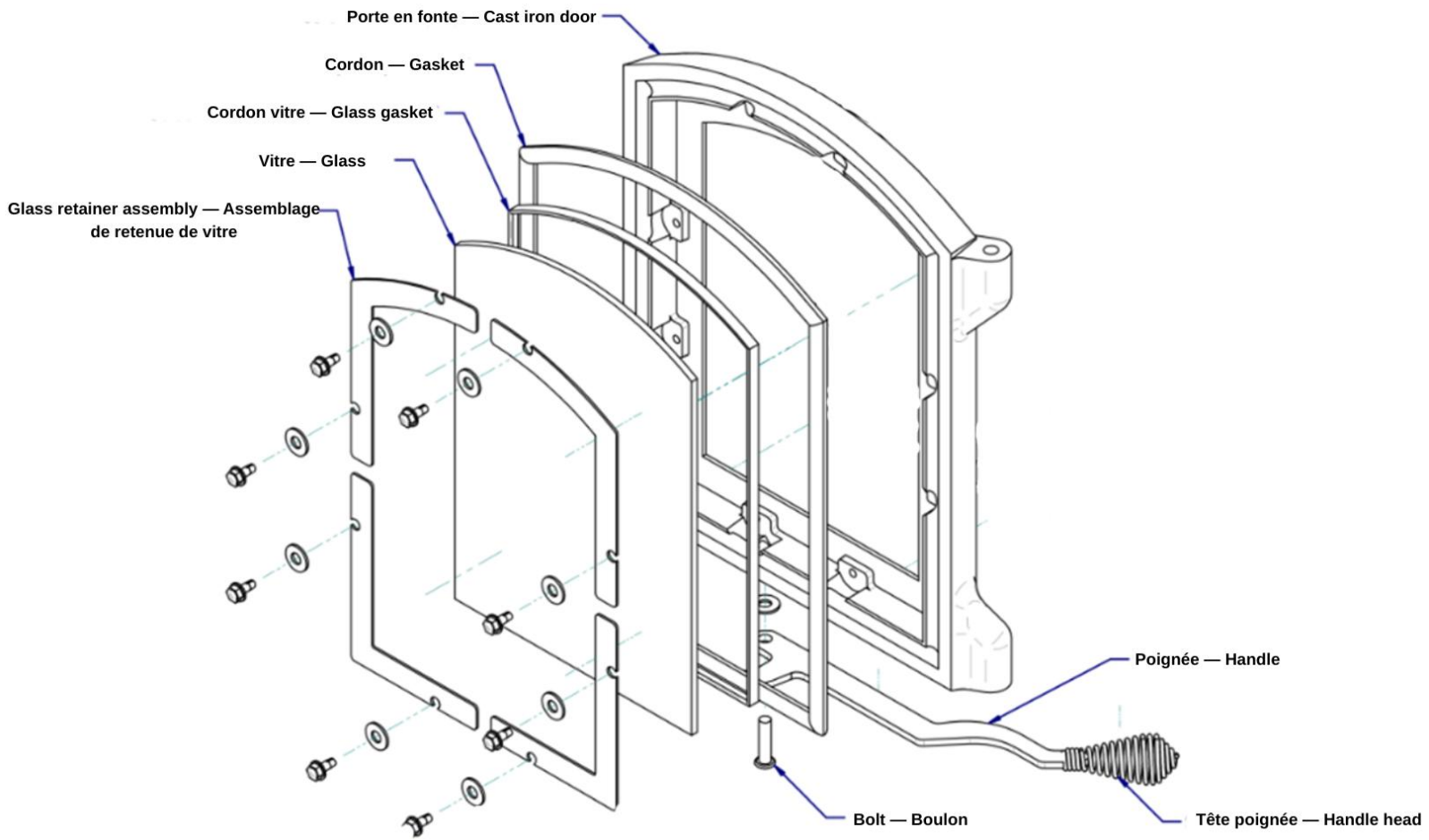
Contact your local authority to know what to do in case of Chimney fire. Keep in mind the procedure in case of chimney fire.

1. Close all the doors, the air intakes and the vent damper
2. Pour water on combustible material around stove.
3. Call the fire department and trigger alarm. Leave the house if necessary.
4. Never touch the chimney and pipes before the fire is completely extinguished.
5. Do not use the chimney before it has been inspected and repaired.

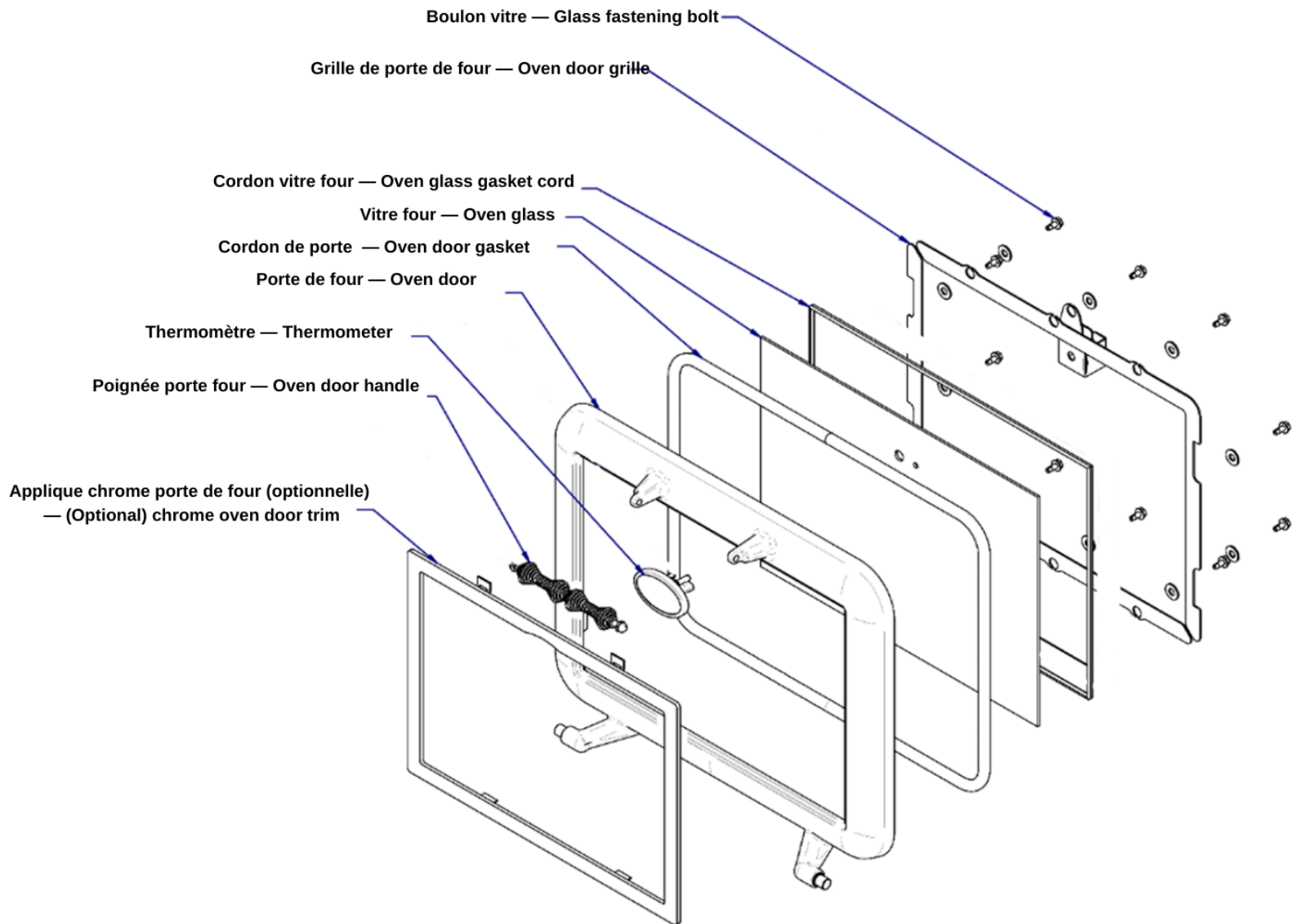
Annex 1

Door assembly Wood Stove Door

*The same assembly for an arc wood stove



Oven Door



Annex 2

Replacement parts

- Bricks
- Stove ceramic glass
- Tempered glass oven door
- Spring Handle
- Stove door
- Oven door
- Fans
- Flat glass fiber rope (around glass)
- Round glass fiber rope
- Slotted Brick Washer

Call your sales representative to order these parts.



J. A. Roby Limited warranty

WOOD BURNING STOVES & FIREPLACES

J. A. ROBY's warranty only applies to original buyer and is non-transferable. This warranty covers brand new products only, which have not been altered, modified or repaired since shipment from factory. The products covered by this warranty must be manufactured after review date indicated at the bottom of page. Proof of purchase (dated bill of sale), model name and serial number must be supplied when making any warranty claim to J. A. ROBY. Registering your warranty is not required.

The appliance must be installed by an authorized service technician or contractor. Installation must be done in accordance with the installation instructions included with the product and all local and national building and fire codes. Any service call related to an improper installation is not covered by this warranty. This warranty applies to normal residential use only. This limited warranty does not cover damages caused by misuse, improper installation, lack of maintenance, accident during transportation, alterations, power failure, venting problems, downdrafts, abuse, over firing or neglect. Operating the appliance on high for extended periods of time is neglected. Any defect or damage caused using unauthorized parts or others than original parts void this warranty.

This limited warranty does not cover any scratch, corrosion, warping or discoloration. The manufacturer may require that defective products be returned and/or that digital pictures be provided to support the claim. Returned products are to be shipped prepaid to the manufacturer for investigation. If a product is found to be defective, the manufacturer will repair or replace such defects. The transportation fees to ship back the product to the purchaser will be paid by manufacturer ². The external labor fees related to warranty repair are not covered. The manufacturer may, at its discretion, decide to repair or replace any part or unit after inspection and investigation of the defect. The manufacturer may at its discretion, fully discharge all obligations with respect to this warranty by refunding to the original warranted purchaser the wholesale price of any warranted but defective part (s). The manufacturer shall not in any event be liable for any special, indirect or consequential damages of any nature whatsoever which exceeds the original purchase price of the product. All parts replaced under this limited lifetime warranty are subject to a single claim.

Any damage to the appliance, combustion chamber, heat exchanger, enameled cast iron cooking plate or other components due to water, weather damage, long periods of dampness, condensation, and damaging chemical or cleaner will not be the responsibility of J. A. ROBY. Failure of any components which is attributed to poor maintenance including **seal gasket**, is not warrantable and will not be covered by this policy. J.A. ROBY neither assumes, nor authorizes any third party to assume, on its behalf, any other liabilities with respect to the sale of this product.

The manufacture of your new appliance and the following materials are warranted against defects as mentioned below:

WARRANTY DESCRIPTION	100%
Handles, doors and legs	5 years
Combustion chamber	3 years
Tempered glass and gasketing	1 year
Ceramic glass (thermal breakage only ¹)	1 year
Replacement parts (with proof of purchase)	90 days

Due to on-going product improvements, all specifications and designs are subject to change without prior notice.

Before shipping your unit or defective component to our plant, you must obtain an authorization number from J. A. ROBY. Any merchandise shipped to our plant without authorization will be refused automatically and returned to sender.

1= Digital pictures required 2= Shipping cost is not covered