

26L

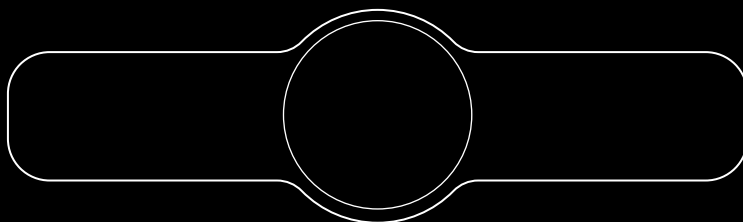
**INSTALLATION AND
OPERATION MANUAL**

**MANUEL D'INSTALLATION
ET D'UTILISATION**

**INDOOR GAS
TANKLESS WATER HEATER**

**CHAUFFE-EAU RÉSIDENTIEL
AU GAZ SANS RÉSERVOIR**

MODEL / MODÈLE : ON-I26L-LP, ON-I26L-NG



 **WARNING**

If the information in these instructions is not followed exactly, a fire or explosion may result causing property damage, personal injury or death.

Do not store or use gasoline or other flammable vapors and liquids in the vicinity of this or any other appliance.

WHAT TO DO IF YOU SMELL GAS:

- Do not try to light any appliance.
- Do not touch any electrical switch; do not use any phone in your building.
- Immediately call your gas supplier from a neighbor's phone.
- Follow the gas supplier's instructions.
- If you cannot reach your gas supplier, call the fire department.

Installation and service must be performed by a qualified installer, service agency or the gas supplier.

ONSEN
2181 RUE DE LA MÉTROPOLE
LONGUEUIL (QUÉBEC) J4G 1S5
CANADA



WARNING: RISK OF FREEZE DAMAGE READ THE FOLLOWING BEFORE INSTALLATION* AND USE**

DAMAGE DUE TO FREEZING IS NOT COVERED BY THE WARRANTY.

WHEN PLANNING TO INSTALL AND OPERATE THE WATER HEATER IN AREAS WHERE THE OUTSIDE AIR CAN REACH FREEZING TEMPERATURES, IT IS IMPORTANT TO PROTECT THE WATER HEATER FROM FREEZE DAMAGE.

** INSTALLATION AND SERVICE OF THIS APPLIANCE MUST BE PERFORMED BY A QUALIFIED INSTALLER. IT IS STRONGLY RECOMMENDED TO USE AN INSTALLER WHO WORKS REGULARLY WITH VENTILATION SYSTEMS TO PERFORM THE INSTALLATION.*

****** WHEN INSTALLING, ALWAYS CONFORM WITH LOCAL CODES OR, IN THE ABSENCE OF LOCAL CODES, TO THE NATIONAL FUEL GAS CODE, ANSI Z223.1/NFPA 54 (USA), OR THE NATURAL GAS AND PROPANE INSTALLATION CODE, CSA B149.1 (CANADA).

PLEASE SEE BELOW IMPORTANT INSTALLATION RECOMMENDATIONS TO ENSURE YOUR WATER HEATER IS PROTECTED FROM FREEZE DAMAGE.

FREEZE DAMAGE CAN OCCUR IN ONE OF TWO WAYS:

①

**INDOOR TEMPERATURE
DROPS BELOW FREEZING**

OR

②

**COLD AIR IS ALLOWED TO ENTER THE HEATER
THROUGH THE EXHAUST OR INTAKE PIPING**

① FREEZE DAMAGE RECOMMENDATIONS RELATED TO INDOOR TEMPERATURE

Freeze damage may occur whenever there is a risk of the indoor temperature dropping below freezing, such as in the event of a power failure or installation in a cabin or secondary residence that is not heated all year long. For this reason, it is important to MANUALLY DRAIN the water heater and its water lines whenever the risk of indoor freezing temperatures is present. This can be done by blowing compressed air into the water inlet to drain any water remaining in the heat exchanger piping.

② FREEZE DAMAGE RECOMMENDATIONS RELATED TO (A) EXHAUST & (B) INTAKE PIPING

(A) FREEZE DAMAGE RECOMMENDATIONS RELATED TO EXHAUST PIPING

Cold air can enter the water heater through the exhaust piping when the heater is not in operation, which can result in freeze damage.

To prevent cold air from reaching the water heater, it is **STRONGLY RECOMMENDED** to install a **damper (backflow preventer)** in the exhaust piping run.

The Z-Flex Z-Vent 3-in Horizontal Vent Kit for Gas Tankless Water Heaters (2ZEWD03A), which includes an appliance adapter with a **damper (backflow preventer)**, is recommended for exhaust piping for the Onsen 26L.

(B) FREEZE DAMAGE RECOMMENDATIONS RELATED TO INTAKE PIPING

This water heater can be installed in one of two types of application for the air intake:

TYPE 1	OR	TYPE 2
Non-Direct Vent		Direct Vent
(combustion air drawn from the room) **		(combustion air drawn from the outside)

Please read and follow the important installation guidelines related to each application type listed below:

Application Type 1	Installation Guidelines
Non-Direct Vent (combustion air drawn from the room)	<p>With Non-Direct Vent, there is minimal risk of freezing damage associated with the air intake since the combustion air is drawn from the heated room where the water heater is installed. Please see Figure 1 below for an example of a Non-Direct Vent installation of the air intake.**</p> <p>The Non-Direct Vent application has the advantage of being a simpler and easier installation than the Direct Vent application.</p> <p>It is not recommended to install the water heater in an enclosed space such as a closet when using the Non-Direct Vent application.</p> <p>When using the Non-Direct Vent application, it is important to ensure sufficient air volume for the air intake. For the required volume of indoor air, please refer to local codes or, in the absence of local codes, to the National Fuel Gas Code, ANSI Z223.1/FPA 54 (USA), or the Natural Gas and Propane Installation Code, CSA B149.1 (Canada).</p>
Application Type 2	Installation Guidelines
Direct Vent (combustion air drawn from the outside)	<p>With the Direct Vent application, the water heater can be installed in enclosed areas, such as a closet or other areas with limited space.</p> <p>If installing in an enclosed space such as a closet, make sure to follow the clearance requirements described in the manual in the section titled LOCATION AND CLEARANCE REQUIREMENTS.</p> <p>To prevent freezing damage to the water heater, it is strongly recommended to configure the air intake pipe so that it allows warming of the cold air being drawn from the outside. See Figure 2 below for an example of such a configuration.*</p>

Figure 1: Example of Non-Direct Vent Air Intake

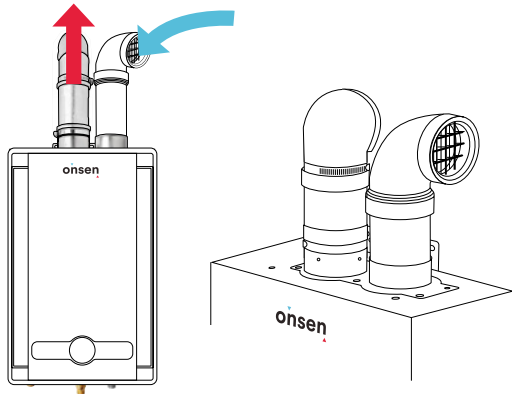
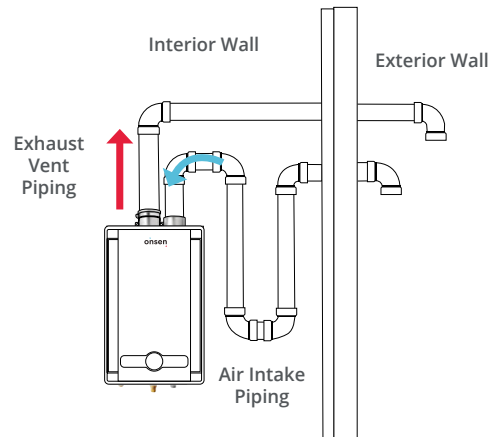


Figure 2: Example of Air Intake Pipe Configuration



As shown in **Figure 2**, the air intake pipe run helps to prevent cold air from reaching the water heater due to the following configuration elements:

- ▶ The significant length of the air intake pipe run, which allows warming of the cold air before it reaches the water heater.
- ▶ The vertical run of the air intake pipe, which helps to keep the cold air at the top of the pipe and away from the water heater when it is not being operated.

TABLE OF CONTENTS

INTRODUCTION AND SAFETY WARNINGS

Important Safety Instructions	7
Safety Precautions	8

OPERATION

How It Works	10
Operating Instructions	10
Extended Shutdown	13
Cold Weather Warnings	15
Maintenance and Inspection	16
Troubleshooting.....	19
Diagnostic Codes	21

INSTALLATION

Typical Installation (Wall Vent Configuration)	23
Installation Guidelines.....	24
What's Included in the Box	25
Location and Clearance Requirements	25
Mounting.....	26
Electrical	27
Gas Piping	27
Water Piping	30
Air Intake and Exhaust (Vent) System	31
Start Up and Testing.....	38

REFERENCE

Wiring Diagram	41
System Specifications.....	42
Dimensions.....	43
Names of Major Parts and Components	44
Limited Warranty	45

IMPORTANT: KEEP THIS MANUAL FOR FUTURE REFERENCE!

INTRODUCTION AND SAFETY WARNINGS

Thank you for purchasing the
ONSEN 26L INDOOR GAS TANKLESS WATER HEATER

In order to ensure proper installation, safe operation, and long life, please read the following instructions carefully. Installation of this gas water heater should only be completed by a licensed professional. This will ensure that the installation is in full compliance with all required building, plumbing and electrical codes.

KEEP THIS MANUAL for future reference. This manual includes useful information about the product, maintenance requirements and the details of the product warranty.

NOTE: This heater is **NOT SUITABLE** for hydronic, closed loop, recirculating or floor heating systems.

IMPORTANT SAFETY INSTRUCTIONS

READ AND FOLLOW ALL INSTRUCTIONS

When using this gas water heater, basic precautions should always be followed.

SAFETY DEFINITIONS



THIS SYMBOL IS THE SAFETY ALERT SYMBOL WHICH IS USED TO ALERT YOU TO POTENTIAL HAZARDS THAT CAN KILL OR HURT YOU AND/OR OTHERS



DANGER

Indicates an imminently hazardous situation which, if not avoided, will result in death or serious injury.



WARNING

Indicates a potentially hazardous situation which, if not avoided, could result in death or serious injury.



CAUTION

Indicates a potentially hazardous situation which, if not avoided, could result in minor or moderate injury. It may also be used to alert against unsafe practices.

SAFETY PRECAUTIONS

DANGER

DO NOT use a fuel gas that is not listed on the nameplate as compatible with the water heater. Abnormal combustion or a deflagration may occur which can cause a serious accident.

DO NOT use the unit if the vent piping has been damaged or altered in any way including cracking, separation, rusting, melting, etc. Improper venting may cause a buildup of Carbon Monoxide (CO) which can cause brain damage or death.

WARNING

If the water heater needs to be installed, moved, or serviced only utilize licensed professionals. The use of professionals ensures all work is in full compliance with required building, plumbing and electrical codes.

Keep the area around the appliance clear and free of flammable materials such as cloth, wood, aerosol cans, paper, gasoline, etc.

When using hot water for a shower or bath, always check the water temperature before entry to avoid being scalded. Obey local codes for the maximum water temperature setting allowed. Water temperatures over 125° F (52° C) can cause severe burns or death from scalds. Households with small children, disabled or elderly persons may require a setting of 120° F (49° C) or lower.

This heater is designed only for the heating of water and should not be used for other applications or used to heat any other media.

Never use a fuel gas that is not listed on the nameplate as compatible with the water heater. Abnormal combustion or a deflagration may occur which can cause a serious accident including damage to the heater.

Do not use this appliance if any part has been under water. Consult a qualified service technician to inspect the appliance and make any required repairs prior to installation and operation.

This water heater is designed for indoor mounting. Never mount it outdoors.

This equipment should be installed in an area where water leakage from the unit or connections will not result in damage. The manufacturer is not responsible for any damages resulting from leaks.

Only connect gas and water as instructed. Incorrect or reversed connections will cause equipment damage.

Do not over tighten connections or equipment may be damaged.

Do not install in areas that are subject to vibration.

This equipment shall not be operated without the vent pipe properly connected. The exhaust pipe must not terminate in an area where the exhausting vapor or collecting condensate could create a hazardous situation or cause property damage. Exhaust gases must be vented out of the building in compliance with all building codes.

The exhaust piping is very hot during and for a period after use. Do not touch the pipe.

Ensure that snow, ice or other debris does not block the inlet or exhaust pipes.

Regular housekeeping should be done in areas around the heater to prevent insect intrusion and possible equipment malfunction.

The unit should be serviced on a routine basis to ensure optimum performance. Service needs will vary based on local water conditions including acidity, alkalinity, hardness, etc.

Freezing temperatures will cause damage to the heater. Install in locations where freezing temperatures are not reached and follow procedures to drain the unit if it will be out of service for a period of time.

A 120 V / 60 Hz power source should be used. Fire, electrical shock or damage to the water heater may occur if an incorrect power supply is used.

This appliance is equipped with a three-prong grounded plug for increased protection against electrical shock. Ensure the plug is properly inserted into a clean, dry outlet that complies with all electrical codes. Only insert and remove the plug using the plug head and never use a wet hand to plug or unplug the power plug.

Any alterations to the appliance will void the warranty.

Should overheating occur or the gas supply fails to shut off, turn off the manual gas control valve to the appliance.

Do not use this appliance if any part has been under water. Immediately call a qualified service technician to inspect the appliance and to replace any part of the control system and any gas control which has been under water.

Caution: Label all wires prior to disconnection when servicing controls. Wiring errors can cause improper and dangerous operation.

Verify proper operation after servicing.

OPERATION

HOW IT WORKS

- ✓ The Onsen 26L Indoor Gas Tankless Water Heater uses gas to heat water by burning a flame on the copper heat exchanger. The incoming water is heated when it circulates through the heat exchanger before being directed to the water outlet. The temperature of the exiting water can be increased or decreased via the control panel of the water heater.
- ✓ The temperature of the outgoing water can be adjusted between 95° F and 140° F (35° C and 60° C).
- ✓ This gas water heater requires water pressure of 15 PSI and a flow rate of 0.67 gpm (2.5 l/min) to operate. The unit will stay in operation until the flow drops below 0.53 gpm (2 l/min).
- ✓ The burner ignition is electronic. The unit has no pilot light and consumes no gas when the heater is not being used.
- ✓ Air is brought into the unit from outside, efficiently burned with the appropriate source of fuel, and then exhausted externally.
- ✓ The unit's integrated control system constantly monitors the temperature of the water being produced and adjusts the burner accordingly to deliver a stable supply of hot water.
- ✓ The unit is highly flexible and provides hot water over a wide range of flow rates and incoming water temperatures across the capacity range of the unit.
- ✓ The unit has multiple protective functions such as no-load heating prevention, automatic shutdown in case of accidental flameout, and automatic pressure relief to ensure safety and reliability.

OPERATING INSTRUCTIONS

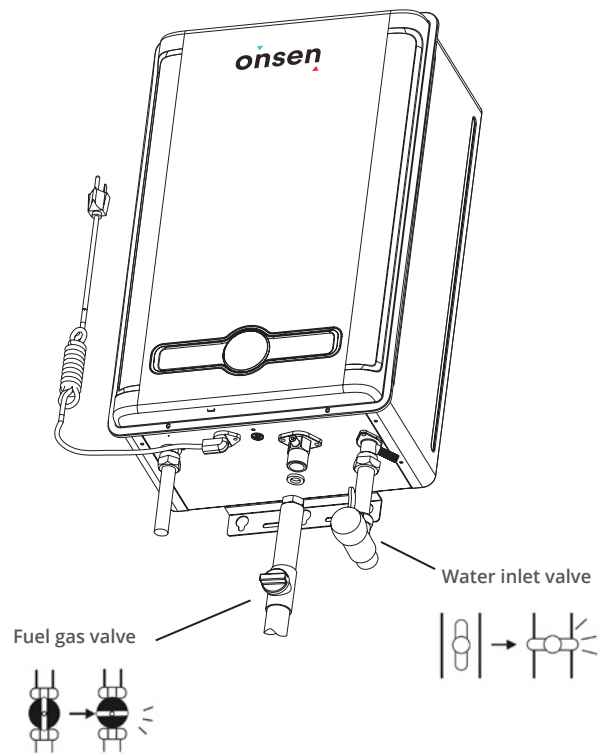
▶ NORMAL OPERATION

This section of the manual contains instructions regarding routine operating procedures for a heater that has been installed, tested, and approved for operation by a licensed professional.

For a new installation, please refer to “Initial Start Up” in section “Start Up and Testing” of this manual.

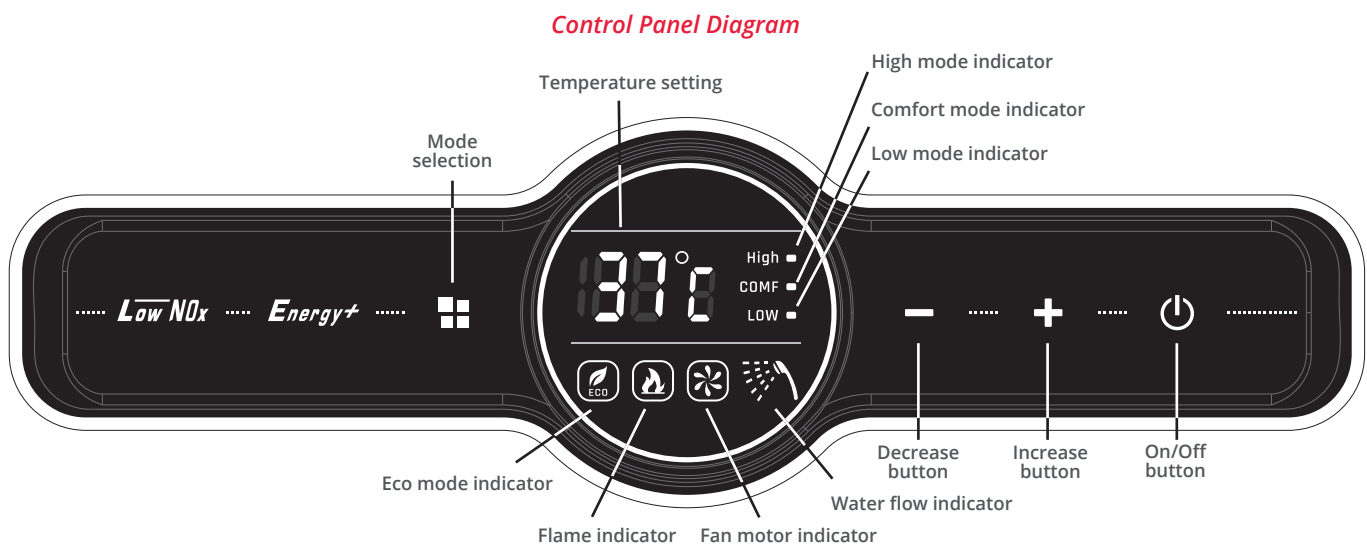
▶ ROUTINE START UP

- ① Ensure all drain plugs are installed in unit.
- ② Ensure all hot water use points (faucets, etc.) are shut off.
- ③ Open the water inlet valve.
- ④ Open a hot water faucet to confirm water flow and then shut off the faucet.
- ⑤ Open the fuel gas valve.
- ⑥ Plug in the unit.
- ⑦ Press the "ON/OFF" key to turn on the unit.
- ⑧ Set temperature (see "Temperature Control" in section "Operating Instructions" of this manual).



▶ CONTROL PANEL

The control panel and display are used to adjust the operational settings of the unit as well as give information about the current state of operation. The following illustration shows all possible symbols and signs that may appear in various states of operation. While in operation, only the symbol or sign corresponding to the actual state will appear on the control panel display. The water heater is in an operating state when the hot water temperature is shown.







▶ CONTROL PANEL INDICATIONS

LED Display

The LED display shows the following:

- ✓ Set temperature and actual output temperature.
- ✓ Flame, Fan Motor, Water Flow indicators lighting to indicate unit is operating normally.
- ✓ ECO and other working mode icons when selected.

Buttons


On/Off		Enables or disables the water heater.
Increase*		Increases output temperature by 1 degree increment.
Decrease*		Decreases output temperature by 1 degree increment.
*To switch between Fahrenheit and Celsius, press and hold the "Increase" and "Decrease" keys at the same time for three seconds.		
Mode selection		<p>Selects between the following modes:</p> <p>High mode: output temperature set at 122° F (50° C)</p> <p>Comfort mode: output temperature set at 113° F (45° C)</p> <p>Low mode: output temperature set at 99° F (37° C)</p> <p>ECO: To enable ECO mode, which caps maximum power output at 75%, press and hold the Mode button for three seconds.</p>

▶ TEMPERATURE CONTROL

Setting the Desired Temperature

- ① The temperature adjustment range is 95° F – 140° F (35° C to 60° C).
- ② Press the "ON/OFF" button. The temperature display unit lights up and displays the current temperature set point. The factory default set point is 108° F (42° C).
- ③ Press the "Increase" or "Decrease" button to set the desired temperature. The temperature set point goes up or down by one degree with each press.
- ④ Press the "Mode Selection" button to choose between the pre-set temperature settings described above.
- ⑤ After the temperature is set, open the water valve and observe. The flame, fan motor and water flow indicators should light indicating the unit is operating normally.

SCALD PREVENTION

 **DANGER**

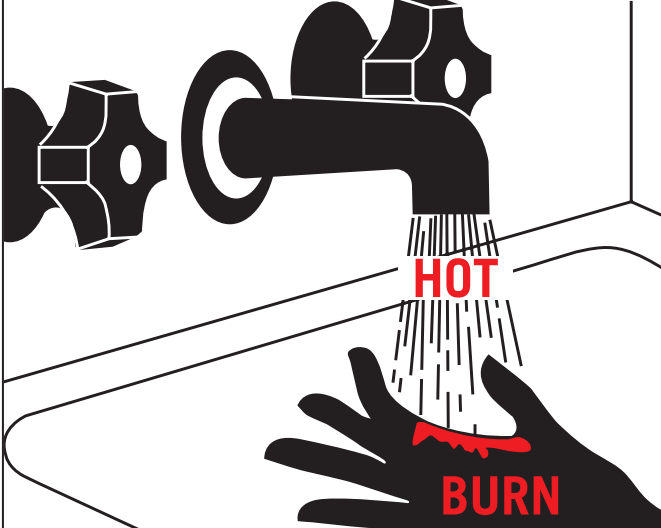
Water temperatures over 125° F will scald and can instantly cause severe burns or death!

Children, disabled and elderly are at highest risk of being scalded.

Always test the water temperature by feeling the water prior to entering a shower, bath, etc.

Obey all codes regarding temperature set point.

Contact a licensed plumber or local plumbing authority for clarification or additional information.



EXTENDED SHUTDOWN

▶ EXTENDED OUTAGE PROCEDURE

If a heater will be out of service for an extended amount of time, use the following procedures to protect the unit:

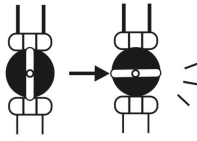
- ✓ Cold air may enter the unit through the air intake or the exhaust system. Take precautions for extended shutdowns even if unit is installed indoors in an area that does not allow direct exposure to freezing temperatures.
- ✓ Temperatures at or below 32° F (0° C) can cause permanent damage to the unit and/or the piping system due to freezing.
- ✓ After an extended shutdown (weeks/months), all settings return to their factory default values. During short term shutdowns (power outage or if the unit is unplugged), the unit will retain the last settings selected prior to the outage when power is restored.

CAUTION

The heater and water within the unit may be very hot. Allow time for the system to cool and use caution when draining to minimize risk of injury.

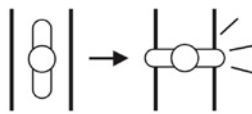
① Shut down the water heater by pressing the "ON/OFF" button.

② Close the fuel gas valve (A).



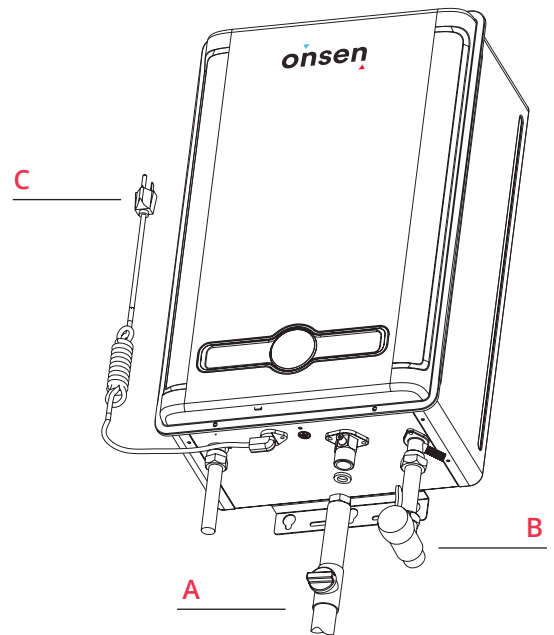
③ Unplug the power cord (C). Use dry hands. Exercise caution and only unplug by grasping the plug head and pulling. Note that all factory settings will be restored next time unit is re-powered.

④ Close the water inlet valve (B).



⑤ Open all hot water faucets.

⑥ Obtain an appropriate container to collect the residual water from the system.



Prevent water from being discharged on the floor to avoid damage. Prevent water contact with any electrical source in the vicinity.

⑦ Open the drain plugs and completely drain the water heater. It is recommended to blow compressed air into the water inlet to drain any excess water remaining in the heat exchanger piping. All residual water will drain via the water outlet.

NOTE: Freezing temperatures below 32° F (0° C) can cause permanent damage to the heater and/or the piping system.

FREEZING DAMAGE IS NOT COVERED BY THE MANUFACTURER WARRANTY.

⑧ Reinstall the drain plugs and close the hot water faucets.

⑨ To return the unit to operation, please refer to "Routine Start Up" in section "Operating Instructions" of this manual.

COLD WEATHER WARNINGS

▶ FREEZING DAMAGE POTENTIAL AND PRECAUTIONS

- ✓ Freezing temperatures can damage the water heater and/or water piping. Freezing water expands rapidly and can create tremendous mechanical forces. Mechanical damage and pipe ruptures can result from only brief exposure to freezing temperatures.
- ✓ In the event of freezing temperatures, ensure the water heater and its water lines are protected to prevent freezing. Damage due to freezing is not covered by the warranty.
- ✓ Please refer to the **WARNING: RISK OF FREEZE DAMAGE** guidelines at the beginning of this manual for information and recommendations for preventing freeze damage.
- ✓ To protect against freeze damage when the water heater will be out service for an extended period, completely shut down the system by following the “Extended Outage Procedure” in the “Extended Shutdown” section of this manual.

▶ FREEZE PROTECTION FEATURE

- ✓ The Onsen 26L Tankless Water Heater is equipped with a freeze protection feature which consists of heating pads strategically located on the internal piping of the water heater that will activate when the temperature of the water in the heat exchanger drops to 36°F (2°C) and will deactivate when the temperature of the water climbs back up to 59°F (15°C).
- ✓ The freeze protection feature will help protect the internal piping of the water heater. It will not prevent the external piping and valves from freezing. It is recommended that hot and cold water pipes be insulated.
- ✓ While the freeze protection feature will help to protect from cold temperatures, it will in no way guarantee protection from freeze damage. **DO NOT** rely on the freeze protection feature to fully protect the unit from freezing. Take all precautions to prevent freeze damage.
- ✓ Please refer to the **WARNING: RISK OF FREEZE DAMAGE** guidelines at the beginning of this manual for information and recommendations for preventing freeze damage.
- ✓ The unit must be **POWERED ON** for the freeze protection feature to be active.



To prevent damage, **NEVER** force a heater to operate while in a frozen state. **NEVER** bypass any safety feature.

▶ WARRANTY

Damage caused by freezing is **NOT** covered by the warranty.

MAINTENANCE AND INSPECTION

▶ ROUTINE INSPECTION



The heater and exhaust piping will be hot during and shortly after use. Use caution when working in the area around the heater.

To keep your water heater operating optimally please refer to the below recommended inspection and maintenance checklists. Onsen recommends a periodic inspection performed by a qualified service technician. An annual inspection is normally sufficient. Frequent visual inspections by the owner are recommended. Any repairs should be performed by a qualified service technician using only factory authorized components.

▶ ROUTINE INSPECTION CHECKLIST

- Any flammable materials in the vicinity of the water heater or exhaust piping?
- Any unusual noises coming from the heater while in operation?
- Are the air intake and exhaust free from any blockage or foreign objects?
- Any signs of water leaking near heater or pipes?
- Any abnormal appearance to unit casing?

▶ MAINTENANCE CHECKLIST

- Clean outside of unit and control panel:
 - ✓ Use a wet cloth to remove any surface dirt. Use a dry cloth to wipe it dry.
 - ✓ A very mild detergent may be used if unit is very dirty.
 - ✓ Never use any petroleum based cleaners or solvents as these can damage the panel.
- Check and clear air intake of any debris that might impede air flow.
- Clean inlet water screen.
- Examine venting system.

- Clean inside of unit by vacuuming or blowing out dust that collects in the unit. Do not open the burner.
PLEASE NOTE THAT THIS CLEANING SHOULD ONLY BE DONE BY AUTHORIZED SERVICE PERSONNEL.
- Visual flame inspection.
- Lime scale cleaning (if required).

▶ MAINTENANCE PROCEDURES

Burner Inspection and Cleaning

- ① The burner should flame evenly over the entire surface of the burner head when operating correctly.
- ② The flame should burn with a clear, blue, stable flame.
- ③ Presence of a yellow flame or of black deposits on the burner head indicates cleaning and/or burner replacement should occur.

Fan Maintenance

- ① The fan motor is permanently lubricated and does not require periodic lubrication.
- ② If the motor fails, it must be replaced by a qualified technician only.

Purging the Pressure Relief Valve

If a pressure relief valve discharges periodically, this may be due to thermal expansion occurring in a water supply system in a closed circuit. Contact the water supplier or local plumbing inspector for the best way to solve this problem. Do not block the pressure relief valve.

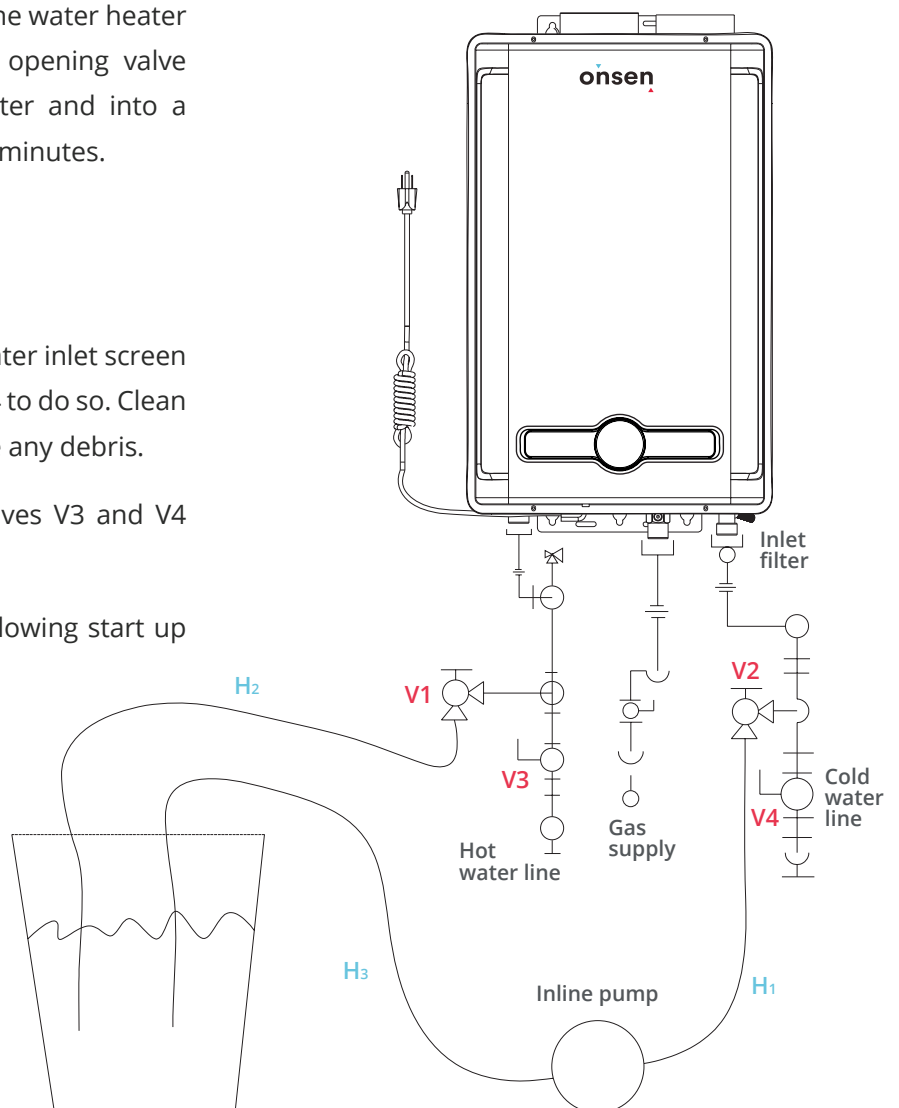
Lime Scale Cleaning Procedure

Materials required:

- ✓ Five gallon container.
- ✓ Four gallons of virgin food grade white vinegar or virgin food grade citric acid.
- ✓ Small inline recirculation pump capable of circulating 2 - 4 gpm (8 - 16 l/m).
- ✓ Set of hoses for connecting recirculation pump to and from the pump and the five gallon container.

Refer to the diagram to complete this procedure:

- ① Disconnect electrical power to the water heater.
- ② Close shutoff valves V3 and V4 on both the hot water and cold water lines.
- ③ Connect hose H1 from the pump outlet to cold water line V2 into the heater.
- ④ Connect drain hose H2 from hot water outlet line V1 and route into five gallon recirculation container.
- ⑤ Pour approximately four (4) gallons of virgin food grade white vinegar or citric acid into the container.
- ⑥ Place pump suction hose H3 into the cleaning solution.
- ⑦ Open service valves V1 and V2.
- ⑧ Operate the pump. Circulate the cleaning solution through the water heater for at least 45 minutes.
- ⑨ Turn off the pump.
- ⑩ Rinse the cleaning solution from the water heater by closing service valve V2 and opening valve V4. Flow water through the heater and into a container or drain for at least five minutes.
- ⑪ Close valve V1 and open valve V3.
- ⑫ Disconnect all hoses.
- ⑬ It is recommended to clean the water inlet screen at this time. Close valves V3 and V4 to do so. Clean the water inlet screen and remove any debris.
- ⑭ Replace the screen and open valves V3 and V4 once more. Checks for leaks.
- ⑮ Return heater to operation by following start up instructions.



Electrical Maintenance Warnings



Label all wires prior to disconnection when servicing controls. Wiring errors can cause improper and dangerous operation. Always verify proper operation after servicing.

TROUBLESHOOTING

For operating difficulties with your unit, please consult the following table for guidance. If you need further assistance, contact Onsen at **1 800-996-5559** or support@onsenproducts.com, making sure to have your product information ready including serial number, proof of purchase and error code if shown on the control panel.

NOTE: Please check water heater for a diagnostic code and respond according to the recommendations found in section “Diagnostic Codes” of this manual.

ISSUE	POSSIBLE CAUSE	SOLUTION
No power: power indicator lamp is not lit.	Power outage.	Unit requires 120V power. Use unit when power is restored. Check circuit breaker and reset if needed. Check ground fault circuit interrupter (GFCI) if circuit includes one and reset if necessary.
	Unit is unplugged.	Check power plug and ensure properly plugged. Plug the power plug properly.
“Smoke” observed coming from exhaust system during cold temperatures.	Water vapor produced during combustion is condensed in the exhaust as the hot gas is cooled by the outside air.	None. Normal operation.
No hot water flow when a hot water faucet is opened.	No/empty fuel source.	Fuel gas valve needs to be open. Refill source tank (if applicable). Open the water inlet valve.
	Power outage.	Unit requires 120V power to operate.
	Flow is too low or becomes too low (less than 0.66 gpm or 2.5 l/m).	Flow is below the lower limit necessary for stable burner operation and proper temperature control. Increase the hot water flow to enable system.
	Fuel gas meter special control restrictions.	Some fuel gas valves may have special control restrictions. Consult your gas supplier and/or a service professional for assistance.
	Distance from heater to source is long.	Allow time for hot water to travel through system to reach the point of use.

ISSUE	POSSIBLE CAUSE	SOLUTION
Hot water is not the right temperature (too hot or too cold).	Temperature set point was reset due to an extended shutdown of the unit.	Default settings are restored during extended shutdowns and custom set points must be re-entered to unit.
	Flow is beyond capacity.	Desired water flow is above maximum capacity of unit. Reduce user flows to re-establish control of temperature.
	Incoming water is too warm.	If incoming water to unit is very warm and the flow is just above minimum requirements, the heat generated by the burner while operating at minimum capacity can make the water hotter than desired. Increase the hot water user flow so that the burner system can control the temperature.
Hot water flow produced is lower than expected.	Water source is restricted.	Check and fully open water inlet valve(s). Check and clean inlet water screen.
	Heat exchanger in unit is scaled.	Clean/descale heat exchanger by flushing per maintenance procedure.
	Incoming water temperature is colder than expected.	Colder than normal incoming supply water will reduce the amount of hot water than can be produced. Although the amount of heat output from the unit is still at full capacity, you must reduce the user flow and operate within the capacity range of the heater.
Vent system trouble.	Vent system is restricted in some manner.	Check air intake and exhaust ducts to ensure they are not damaged, corroded, blocked, etc.
Water leaking from pressure relief valve outlet.	Water system is operating above the pressure rating of the pressure valve.	Consult a professional to investigate.
	Safety valve is damaged.	Replace safety valve. Consult professional as required.
Blower fan noise can be heard for some time after operation stops.	The blower is designed to run for 30 seconds after burner shuts off.	None. Normal operation.

DIAGNOSTIC CODES

Whenever a failure occurs, an alert sounds and a diagnostic code is displayed to indicate the failure mode at the time of occurrence.

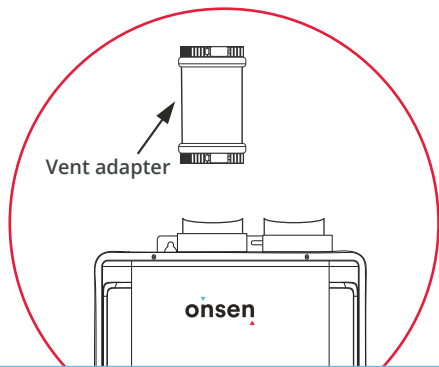
The following table includes a list of diagnostic codes that can be displayed as well as recommended remedies to address the problem.

CODE	INDICATION	SOLUTION
H0	<p>Timed automatic shutdown Unit has been operating continuously for 40 minutes, which has triggered automatic shutdown.</p>	<ol style="list-style-type: none"> 1. Normal system function. Unit is designed for intermittent use only. To restart the unit, close and open tap. 2. Continuous operation applications such as closed loop, recirculating or floor heating systems are not recommended and will trigger automatic shut down.
E0	<p>Outlet water temperature sensor error</p> <ol style="list-style-type: none"> 1. The sensor plug has become loose or is not connected properly to the circuit board. 2. The sensor has become defective (a short circuit, open circuit, or accidental contact with the casing occurred.) 3. The circuit board of the main controller malfunctioned. 4. Sensor is scaled. 	<ol style="list-style-type: none"> 1. Reconnect the outlet water temperature sensor wires (CN2) to the control board properly. 2. Replace the temperature sensor. 3. Replace the control board. 4. Clean sensor.
E1	<p>Ignition failure (most often caused by insufficient gas supply or improperly connected gas line)</p> <ol style="list-style-type: none"> 1. Gas tank is depleted. 2. Gas line not connected to water heater or blockage at gas line. 3. Water heater connected to wrong gas type. 4. Gas pressure is too low or too high. 5. The detection circuitry for ignition and flame detection has become loose or failed to connect. 6. Flame sensor is dirty or defective. 	<ol style="list-style-type: none"> 1. Check fuel gas supply. 2. Check gas line is connected and ensure no blockages at gas line. 3. Ensure correct gas type (propane or natural gas). 4. Ensure correct gas pressure is applied. 5. Connect the relevant circuit properly. Replace any failed circuit elements. 6. Inspect flame sensor and clean or replace if required.
E2	<p>Flame detection error (most often caused by insufficient gas supply or improperly connected gas line)</p> <ol style="list-style-type: none"> 1. Gas tank is depleted. 2. Gas line not connected to water heater or blockage at gas line. 3. Water heater connected to wrong gas type. 4. Gas pressure is too low or too high. 5. The detection circuitry for ignition and flame detection has become loose or failed to connect. 6. Flame sensor is dirty or defective. 	<ol style="list-style-type: none"> 1. Check fuel gas supply. 2. Check gas line is connected and ensure no blockages at gas line. 3. Ensure correct gas type (propane or natural gas). 4. Ensure correct gas pressure is applied. Consult section "Gas Piping" to check gas pipe sizing and total load on the line. 5. Connect the relevant circuit properly. Replace any failed circuit elements. 6. Inspect flame sensor and clean or replace if required.

CODE	INDICATION	SOLUTION
E3	<p>High temperature automatic shutdown</p> <p>Water temperature above 185° F (85° C) for ten (10) seconds. The controller has automatically closed the electromagnetic valve and unit is shut down.</p>	<p>Normal safety precaution to protect against a rare occurrence in which water flow is dramatically reduced causing a small slug of very hot water.</p>
E4	<p>Inlet water temperature sensor error</p> <ol style="list-style-type: none"> 1. The sensor plug has become loose or is not connected properly to the circuit board. 2. The sensor has become defective (a short circuit, open circuit, or accidental contact with the casing occurred). 3. The circuit board of the main controller malfunctioned. 4. Sensor is scaled. 	<ol style="list-style-type: none"> 1. Reconnect the inlet water temperature sensor wire (CN2) to the main board properly. 2. Replace the temperature sensor. 3. Replace the control board. 4. Clean sensor.
E5	<p>Blower system problem occurred</p> <ol style="list-style-type: none"> 1. The blower jammed or stopped operating because of a foreign object. 2. The blower fan suffered a mechanical breakdown. 3. The fan power control module has broken down. 4. Wiring harness or wiring connection in fan connection has come loose. 	<ol style="list-style-type: none"> 1. Check to see if fan turns freely. Remove any foreign objects jamming the fan. 2. Replace the blower fan. 3. Replace the control module. 4. Reconnect the blower wiring to the main board.
E6	<p>Water sensor overheat protection</p> <ol style="list-style-type: none"> 1. Incoming water temperature of 167°F (75°C) or more. 2. Outlet water temperature of 185°F (85°C) or more detected. 	<ol style="list-style-type: none"> 1. Normal system function. 2. Ensure that incoming temperature does not reach 167°F (75°C) or more.
E7	<p>Proportional valve or solenoid valve failure</p> <ol style="list-style-type: none"> 1. The wiring is loose or a bad connection occurred. 2. The solenoid valve is faulty. 3. Controller has failed. 	<ol style="list-style-type: none"> 1. Mount plug-in wiring (CN12) properly and replace bad elements. 2. Replace proportional valve/solenoid valve. 3. Repair or replace the control board.
E8	<p>Exhaust vent/air intake blocked or blower fan is jammed</p> <ol style="list-style-type: none"> 1. Exhaust vent/air intake piping blocked by a foreign object. 2. The universal adapter with backflow preventer (damper) in the vent system is installed upside down, preventing the damper from opening properly and causing a blockage. 3. The blower jammed or stopped operating because of a foreign object. 4. The blower fan suffered a mechanical break-down. 5. The fan power control module has broken down. 6. Wiring harness or wiring connection in fan connection has come loose. 	<ol style="list-style-type: none"> 1. Remove foreign object blocking exhaust vent/air intake piping. 2. Install universal adapter with damper in correct orientation. 3. Remove foreign object and eliminate the cause that led to a jammed fan. 4. Replace the blower fan. 5. Replace control board. 6. Reconnect the fan wiring to the main board.
E9	<p>Burner problem occurred</p> <p>Flame does not burn properly with a clear, blue, stable flame.</p>	<ol style="list-style-type: none"> 1. Press the ON/OFF button to turn off and reset the unit. Wait 10 seconds and press the ON/OFF button again to turn the unit back on. 2. Clean the burner to remove any debris/soot deposits which may have accumulated over time.

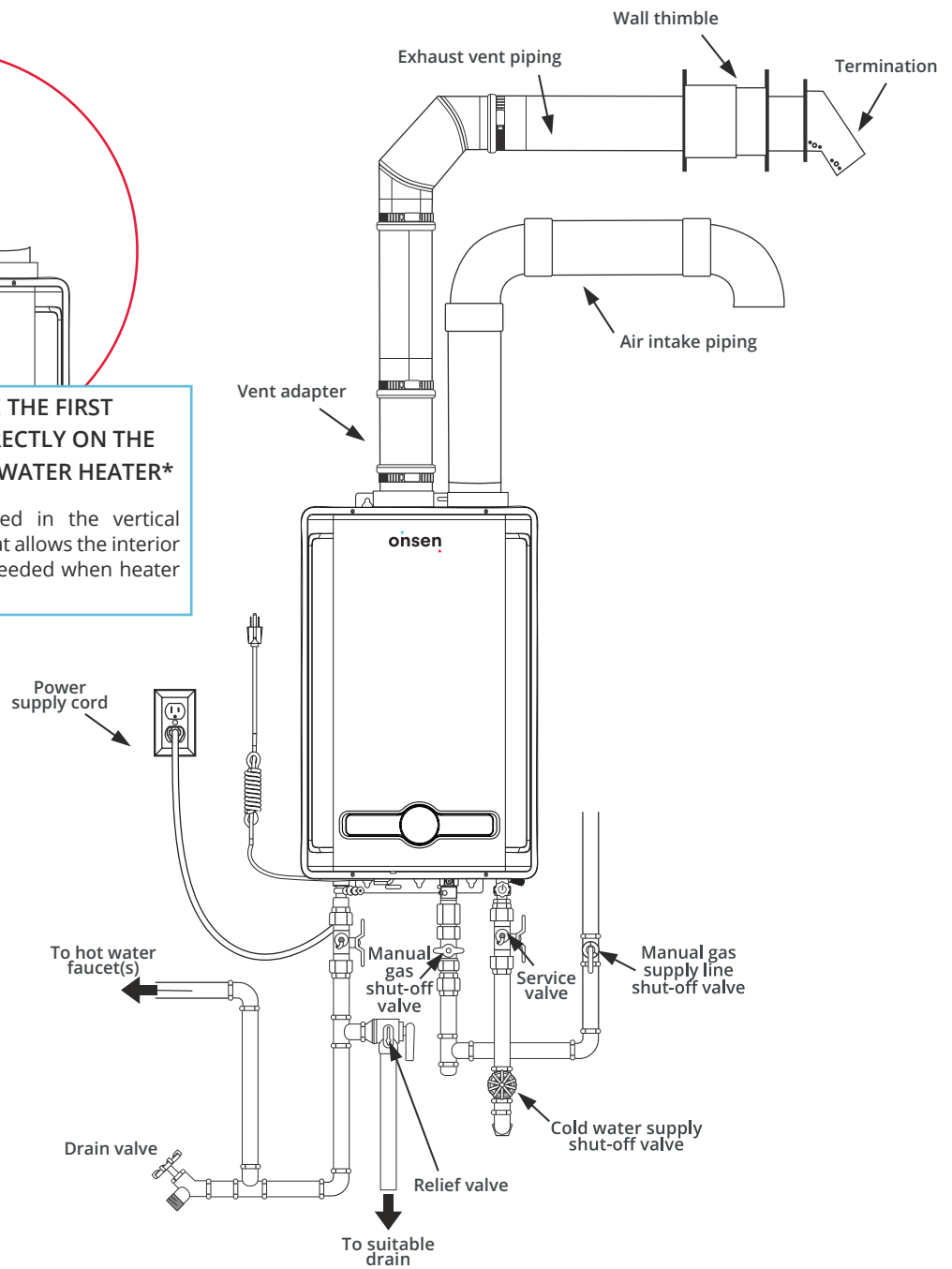
INSTALLATION

TYPICAL INSTALLATION (WALL VENT CONFIGURATION)



THE VENT ADAPTER MUST BE THE FIRST COMPONENT INSTALLED DIRECTLY ON THE EXHAUST TERMINAL OF THE WATER HEATER*

*Vent adapter must be installed in the vertical position, and in the orientation that allows the interior damper, if present, to open as needed when heater is in operation.



NOTE: Local codes or plumbing authority requirements may vary from the instructions or diagrams provided and take precedent over these instructions.

INSTALLATION GUIDELINES

- ✓ Only properly qualified personnel should install this equipment. Improper installation or installation by a non-qualified installer may void warranty. Failure to comply with state, provincial and local codes pertaining to water heater installations may also void warranty.
- ✓ This appliance shall NOT be installed outdoors.
- ✓ The appliance and its gas connection must be leak tested before placing the appliance in operation. A qualified installer or service technician should inspect and leak test system before use.
- ✓ The installation must comply with local codes. In the absence of local codes, the National Fuel Gas Code, ANSI Z223.1/NFPA 54, or the Natural Gas and Propane Installation Code, CSA B149.1 shall prevail. If installed in a manufactured home, the installation must conform to the Manufactured Home Construction and Safety Standard, Title 24 CFR, Part 3280 or the Canadian Standard CSA Z240 MH Series, Manufactured Homes.
- ✓ The appliance must be electrically grounded in accordance with local codes. In the event there are no local codes, the National Electrical Code, ANSI/NFPA 70, or the Canadian Electrical Code, CSA C22.1 shall prevail.
- ✓ The gas pressure must be between these values: 3.5" W.C. (870 Pa) and 10.5" W.C. (2610 Pa) for natural gas and 8.0" W.C. (1990 Pa) and 13.0" W.C. (3230 Pa) for liquid propane. The gas pressure must not exceed these limits.
- ✓ The appliance and its individual shut off valve must be disconnected from the gas supply piping system during any pressure testing of that system at test pressures in excess of ½ psi (3.5 kPa).
- ✓ The appliance must be isolated from the gas supply piping system by closing its individual manual shut off valve during any pressure testing of the gas supply piping system at test pressures equal to or less than ½ psi (3.5 kPa).
- ✓ The appliance should be located in an area where leakage of the tank or connections will not result in damage to the area adjacent to the appliance or to lower floors of the structure. When such locations cannot be avoided, it is recommended that a suitable drain pan, adequately drained, be installed under the appliance. The pan must not restrict combustion air flow.
- ✓ Do not obstruct the combustion air intake or heater exhaust and ensure air intake is not near an area that will allow chemical fumes to enter the combustion air system.
- ✓ Do not use to heat pools or spas (hot tubs) that use chemically treated water.
- ✓ If a water heater is installed in a closed water supply system, such as one having a backflow preventer in the cold water supply line, means shall be provided to control thermal expansion. Contact the water supplier or local plumbing inspector on how to control this situation.

WHAT'S INCLUDED IN THE BOX

The following contents are included. If any items are missing, please contact Onsen.

ITEM	QUANTITY
Water heater	1
Installation and Operation Manual	1
Pressure relief valve (Canada only)	1

LOCATION AND CLEARANCE REQUIREMENTS

▶ LOCATION

Choose a location for unit installation taking into account the following guidelines:

- ✓ Unit must be installed indoors.
- ✓ Installation is not recommended in bathrooms, bedrooms or occupied rooms that are normally kept closed.
- ✓ Unit should have proper clearance as indicated below including ample clearance in front of unit for proper service access.
- ✓ Installation is recommended to be at a height that will allow easy viewing and operation of the control panel.
- ✓ Heater requires a standard three prong, 120 V/60 Hz grounded AC power outlet in close proximity to the installation location.
- ✓ Heater requires a ¾" gas supply line (20mm).
- ✓ Ventilation requirements must be considered when choosing the installation location. Minimizing vent piping will reduce installation costs and maximize efficiency.

▶ CLEARANCE REQUIREMENTS

ADJACENT MATERIAL COMPOSITION		
	Non-Combustible	Combustible
Side	4 inches 100mm	6 inches 150 mm
Top	10 inches 250 mm	12 inches 300 mm
Floor	12 inches 300 mm	12 inches 300 mm
Front	24 inches 600 mm	24 inches 600 mm
Back	zero zero	1 inch 25 mm*
*Requires fireproof insulating panel that meets CAN/ULC S102 / NFPA 286 Standards		

MOUNTING



WARNING

The heater **MUST** be installed in a vertical position with fuel gas inlet at the bottom and exhaust vent positioned at the top. Installation in any other orientation will result in damage and will void the warranty.

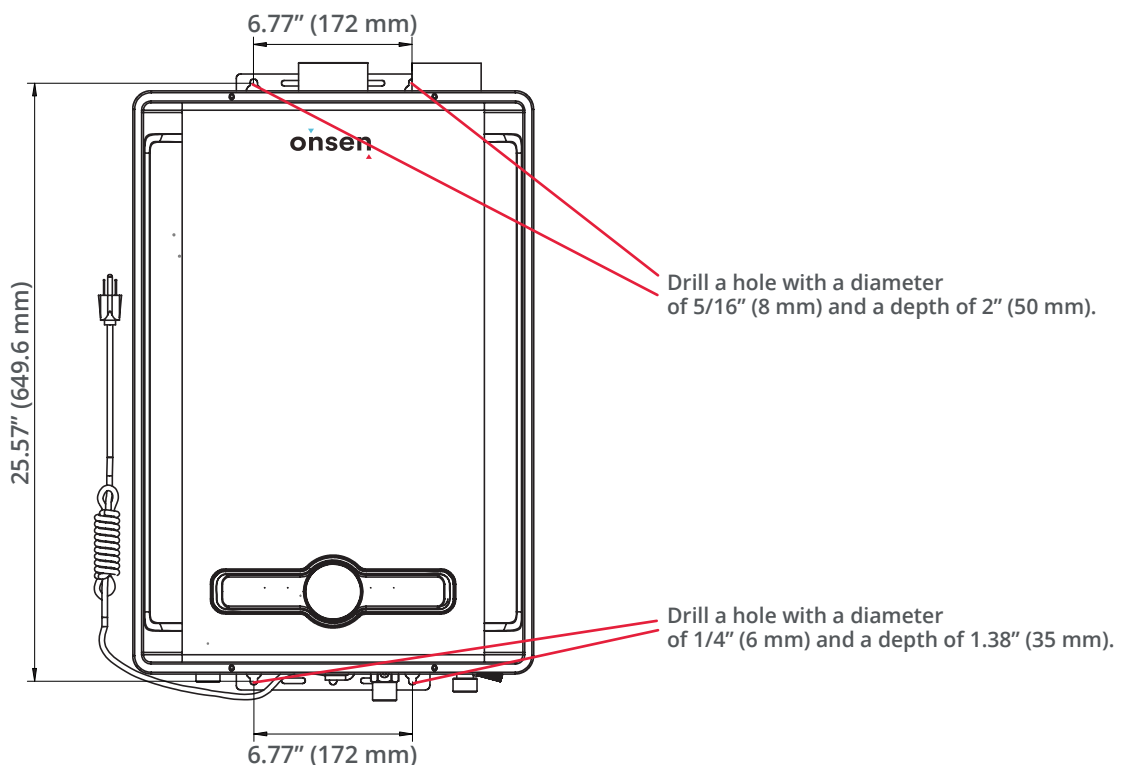
- ① Identify a suitable location per section “Location and Clearance Requirements”.
- ② If the installation wall is not fireproof, the water heater should be cushioned with a fireproof board, of which each rim projects beyond the corresponding rim of the water heater by 100 mm.
- ③ Ensure the heater will be attached in a manner that is sufficient to support the weight of the heater in operation.
- ④ Before installing, position the water heater into place to determine installation height. The water heater should be installed so that the LED display is level with horizontal visual height (generally 1.5 meters / 5 feet).
- ⑤ After determining the height, mark the holes according to the water heater’s top and lower brackets. For the top bracket, drill holes with a diameter of 5/16” (8 mm) and a depth of 2” (50 mm). For the lower bracket, drill holes with diameter of 1/4” (6 mm) and a depth of 1.38” (35 mm) (**Figure 3**).

For installation on concrete or block: use metal expansion bolts.

For installation on dry wall: locate a stud and use appropriate mounting screws.

- ⑥ Hang up the water heater and tighten the screws.

Figure 3



ELECTRICAL



WARNING

Ensure compliance with applicable electrical codes during installation including the U.S. National Electric Code (NFPA 70) or the Canadian Electrical Code – Part 1 (CGAS C22.1) depending on location.

- ✓ ENSURE THAT A PROPERLY GROUNDED 120 V/ 60 HZ THREE PRONG OUTLET IS AVAILABLE.
- ✓ DO NOT PLUG IN THE UNIT UNTIL INSTALLATION IS COMPLETE, TESTED, AND READY FOR INITIAL START UP.

GAS PIPING



WARNING

Gas piping should be sized, installed, and tested only by a licensed professional. Improper installation can result in improper equipment performance or a hazardous situation.

- ① Check the fuel gas type before installation. DO NOT connect a unit if the gas type is not compatible. Contact your dealer for the proper unit to match the gas type.
- ② Check the gas inlet pressure immediately upstream at a location provided by the gas company. Ensure the gas pressure is within the limits shown in the “System Specifications” section of this manual.
- ③ Review the installation location taking into account all gas users on site. Calculate the gas piping that will be required to service the installation. The gas supply line shall be sized and installed to provide a supply of gas sufficient to meet the maximum demand of the heater and all other gas consuming appliances at the location.

NOTE: REFERENCE THE NATIONAL FUEL GAS CODE, NFPA 54 OR THE NATURAL GAS AND PROPANE INSTALLATION CODE, CSA B149.1 FOR PROPER LINE SIZING.

- ④ Ensure any compound used on the threaded joints of the gas piping is compatible with propane or natural gas.
- ⑤ Use only approved materials to connect the unit to the gas line.
- ⑥ Install a manual gas valve in the gas supply line to the water heater. For best performance, the water heater should be the first user downstream from the gas supply meter.
- ⑦ Purge the gas line of any debris before connection to the water heater.
- ⑧ Connect to the water heater.
- ⑨ Leak check all joints including the heater for gas tightness. Use a leak detection solution, soap and water, or an equivalent nonflammable solution, as applicable.



WARNING

Ensure any leak check solution is non-corrosive and is completely rinsed from the piping after leak check is complete. Corrosion of the gas piping and subsequent leaks could occur. Never use flammable solutions or an open flame to test for gas leaks!

▶ GAS PIPE SIZING



WARNING

Gas piping must be installed and tested by a licensed professional (e.g., plumber or gas fitter). Improper gas pipe sizing or installation can lead to ignition failure, poor heater performance, gas leaks, or a serious fire/explosion hazard.

NOTE: IF THE GAS LINE IS TOO SMALL, THE HEATER MAY NOT IGNITE, MAY SHUT DOWN DURING USE, OR MAY TRIGGER ERROR CODES (E.G., E1 OR E2 DUE TO LOW GAS PRESSURE). FOLLOW THIS GUIDE CAREFULLY OR CONSULT A PROFESSIONAL INSTALLER.

Proper gas line sizing is essential for the safe and efficient operation of your unit. Undersized gas piping can result in:

- ✓ Inconsistent or inadequate hot water output
- ✓ System error codes
- ✓ Burner ignition failure
- ✓ Increased risk of carbon monoxide production

What Size Gas Line Does the Onsen 26L Require?

NOTE: THE RECOMMENDATIONS PROVIDED BELOW ARE ONLY ESTIMATES. ADDITIONAL ELEMENTS SUCH AS NUMBER OF PIPE FITTINGS (ELBOWS, TEES, VALVES, ETC.), ELEVATION CHANGES, REGULATOR SIZE, AND PIPE MATERIAL ARE NOT INCLUDED IN THIS ESTIMATION. THE RECOMMENDATIONS DO NOT CONSTITUTE PROFESSIONAL ADVICE OR REPLACE PROPER CONSULTATION FOR SPECIFIC APPLICATIONS. FOR A MORE ACCURATE DETERMINATION OF THE REQUIRED GAS LINE SIZE, IT IS RECOMMENDED TO CONSULT WITH A LICENSED PROFESSIONAL.

The Onsen 26L typically requires a **¾" gas line** for short runs as a standalone appliance. If the gas line is longer, or if other gas appliances are connected to the same line, the gas line may need to be **1"** pipe to maintain adequate pressure.

To determine the gas pipe size required for your particular installation, please follow the instructions and guidelines listed below.

Measure the Length of Gas Piping

- ① Measure the total **pipe distance** from the gas meter or regulator to the water heater. Include any bends and fittings in your estimate — they add resistance.
- ② Use the **Table** below to find the minimum pipe size that supports your unit in a standalone installation (i.e., no other appliances are connected to the gas line).

STANDALONE INSTALLATIONS*	
PROPANE 180,000 BTU	
Pipe Run Length	Recommended Pipe Size
Up to 65 ft	¾"
65–150 ft	1"
150–200 ft	1¼"
NATURAL GAS 180,000 BTU	
Up to 25 ft	¾"
25–115 ft	1"
115–200 ft	1¼"
*These values assume standard low-pressure residential systems (≤ 0.5 psi) and 0.3" W.C. pressure drop, per CSA B149.1 and NFPA 54.	

Consider Total Load on the Line

- ① If your unit shares a gas line with other appliances (e.g., stove, wall furnace, RV fridge), sum the BTU/hr of all connected loads to size the main branch appropriately.
- ② Always use the longest run from the meter or regulator to the appliance (including all fittings). This ensures adequate pressure under peak demand.
- ③ Use the **Table** below to find the minimum pipe size that supports your total BTU and length.

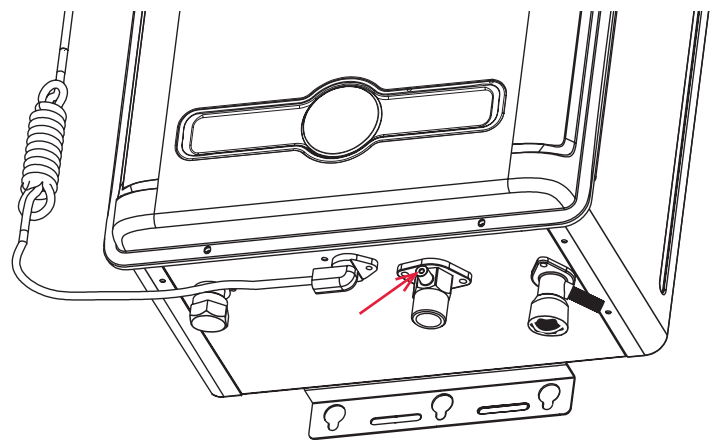
SHARED INSTALLATIONS			
PROPANE 180,000 BTU			
Total Load (BTU)	Example Scenario	Pipe Size	Max Length
230,000	Heater + gas range (50K)	¾"	40 ft
		1"	140 ft
260,000	Heater + wall furnace (80K)	¾"	30 ft
		1"	120 ft
280,000	Heater + furnace + RV fridge + dryer (100K)	1"	90 ft
NATURAL GAS 180,000 BTU			
230,000	Heater + gas range (50K)	1"	80 ft
260,000	Heater + wall furnace (80K)	1"	70 ft
		1¼"	140 ft
280,000	Heater + furnace + 2-burner stove (100K)	1"	60 ft
		1¼"	130 ft

▶ MEASURING INLET GAS PRESSURE

To measure the inlet gas pressure using the test port on the gas inlet of the Onsen 26L, follow the instructions below:

ACCEPTABLE GAS PRESSURE RANGE	
Propane (LPG)	8" – 13" W.C.
Natural Gas	3.5" – 10.5" W.C.

- ① Close the manual gas valve.
- ② Open a hot water tap, leaving it running until unit shuts down. This will purge gas from the gas line.
- ③ Remove the screw from the pressure port (**see diagram right**) on the gas inlet.
- ④ Connect a manometer to the pressure port.
- ⑤ Reopen the manual gas valve. Check for gas leaks.
- ⑥ Turn on a **high-flow** hot water fixture.
- ⑦ While heater is firing at full capacity, **check inlet pressure**.
- ⑧ Pressure must remain within the specified range **while under load**.



WATER PIPING

- ① All piping, including soldering material, and components connected to this heater shall be approved for use in potable water systems.
- ② If the heater was previously used for heating non-potable water, do not install the heater into a potable water system.
- ③ The installation of manual shutoff valves, drain valves and unions is recommended. A professional should review each installation and ensure adequate ability to isolate, drain, and disconnect heater for service needs.
- ④ Connect suitable piping from water supply to the water heater. Note the water heater connections are 3/4" NPT.
- ⑤ This unit requires a pressure relief valve. The relief valve must be installed near the hot water outlet.
- ⑥ Purge the water line to remove debris and air. Debris can plug and damage the heater.

- ⑦ Install the inlet water filter at the cold water inlet. Ensure the filter is easily removable for inspection and cleaning.
- ⑧ Test water connections for leaks. Turn on water and purge water through the water heater and system. Flow for 1-2 minutes. Ensure all air is eliminated.
- ⑨ After filling and flushing the system, check the inlet water filter for debris and clean as required.
- ⑩ Consider insulation on hot water piping for energy conservation and personal protection. Do not insulate the pressure relief valve!

AIR INTAKE AND EXHAUST (VENT) SYSTEM



Improper venting of a water heater can result in excessive levels of Carbon Monoxide which can result in severe injury or death!



This water heater must be vented in accordance with the “Venting of Equipment” section of ANSI Z223.1 / NFPA 54 National Fuel Gas Code – latest versions, or in Canada, the most recent version of CAN/CGA B149.1 Natural Gas and Propane Installation Code. In addition, all installations must completely comply with all applicable local building codes. Failure to comply can result in equipment failure, fire, personal injury or death!



Use only listed vent or vent connector. Plastic vent systems are not compatible and the failure of the vent system could result in damage, equipment failure, personal injury or death.

▶ INTAKE AND VENT PIPE INSTALLATION SPECIFICATIONS

NOTE: PLEASE REFER TO VENT MANUFACTURER'S INSTRUCTIONS AND SPECIFICATIONS. INSTALLATION GUIDELINES ARE PROVIDED SOLELY BY THE MANUFACTURER, WHO IS SOLELY RESPONSIBLE FOR PROPER VENTING INSTALLATION.

- ✓ Category III Direct Vent Water Heater.
- ✓ For best results always minimize the length of the vent system. Keep the vent pipe routing as short and straight as possible.
- ✓ The water heater vent must not be combined with the vent from any other gas appliance or vent stack.
- ✓ The water heater must not be connected to a chimney flue serving a separate appliance, designed to burn solid fuel.
- ✓ Do not combine use vent or vent connector from multiple manufacturers.
- ✓ Air intake pipe may be ABS, PVC, galvanized steel, corrugated aluminum or other materials acceptable to local codes.

- ✓ Exhaust vent pipe must be of AL 29-4C Stainless Steel vent directly to the outside of the building.
- ✓ Ensure the incoming air is not contaminated by any potential source of fumes or chemicals.
- ✓ Avoid any dips or sags in horizontal pipe runs.
- ✓ Ensure vent piping is supported every four (4) feet (horizontal runs) or six (6) feet (vertical runs) or in accordance with local code requirements.
- ✓ Do not reduce the diameter of the vent piping.
- ✓ Ensure all vent connections are installed, properly connected, and sealed air tight per manufacturer's instructions.
- ✓ Any vent pipe seams should be installed so they are oriented on the top of horizontal pipe runs.
- ✓ Slope exhaust piping towards the exhaust terminal with a 2% slope ($\frac{1}{4}$ " per foot; 19 mm/m) to ensure rain or any accumulating condensate near termination are drained. A $\frac{1}{4}$ " per foot upward slope is acceptable when it is not possible to vent with a downward slope, provided an UL approved Category III Stainless Steel condensate trap (horizontal drain pipe/tee) is installed at the beginning of the horizontal run.
- ✓ A condensate collector is required for this system when there is a vertical vent configuration. A condensate collection point should be installed on the vertical run of piping just prior to the heater to ensure proper condensate drainage. Check with local codes for proper disposition and handling of condensate water; an air gaped drain is usually required and in some cases condensate neutralization is also required.
- ✓ Do not store hazardous or combustible materials near the vent piping.
- ✓ Ensure the air intake and vent termination points are at least 12" (300 mm) above any possible snow accumulation level. The flows must not be impeded by snow or debris.
- ✓ Ensure the air intake and vent termination points are at least 24" (600 mm) from any obstruction or other objects.
- ✓ The exhaust pipe must maintain adequate clearances and be insulated with a fireproof material if it passes through walls made of flammable materials. Consult local codes and vent pipe manufacture documentation for proper material selection and installation requirements.
- ✓ Minimum clearance of listed vent or vent connector from a combustible wall or partition must conform to local code, or in the absence of local code, the National Fuel Gas Code, ANSI Z223.1/NFPA 54, or the Natural Gas and Propane Installation Code, CSA B149.1.



If the heater will be installed in a building that has a system that maintains a negative pressure, it is possible for a back-draft to allow outside air to be pulled into the heater while not in operation. This can create a situation where freezing might occur within the heater. Please consult a professional for a properly designed venting solution.

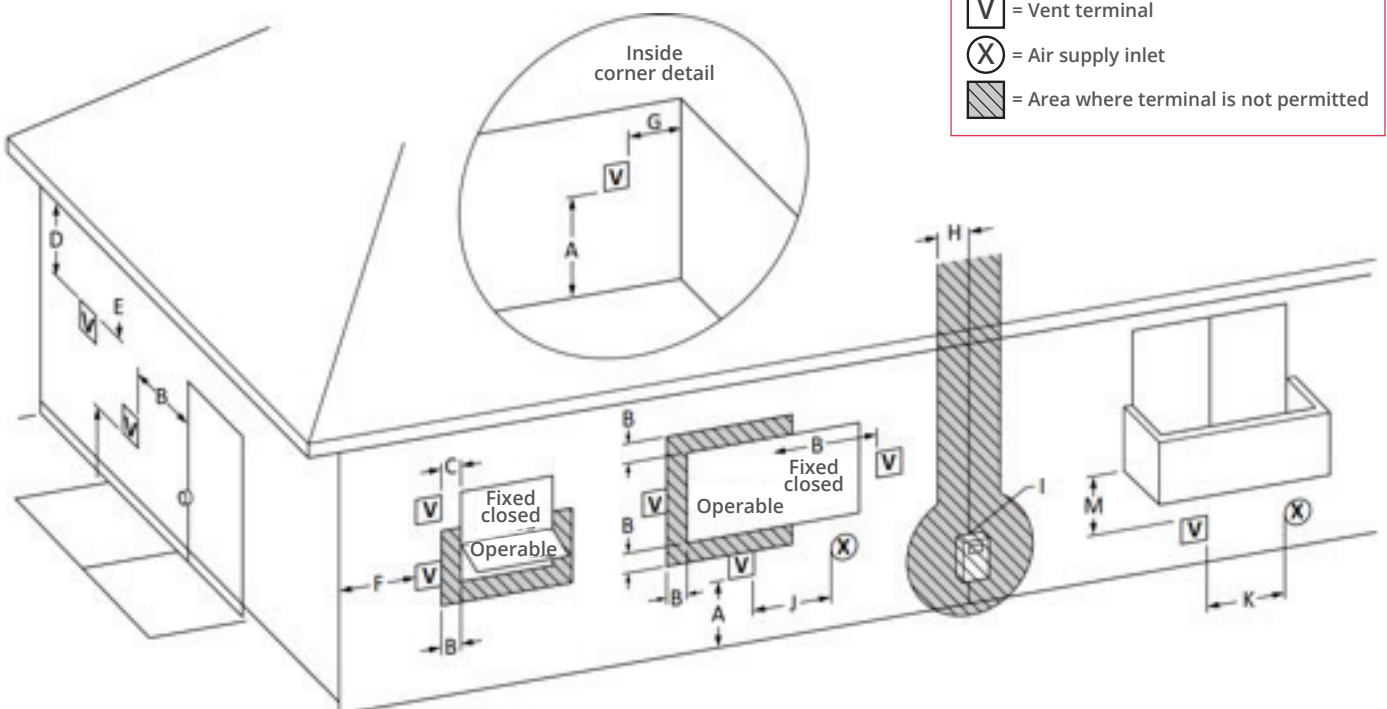
▶ **AIR INTAKE PIPE ASSEMBLY**

- ① Slide the pipe over the air intake terminal.
- ② Secure the pipe to the air intake terminal using gear clamps or according to the instructions provided by the pipe manufacturer.

▶ **EXHAUST VENT PIPE ASSEMBLY**

NOTE: PLEASE REFER TO VENT MANUFACTURER'S INSTRUCTIONS AND SPECIFICATIONS. INSTALLATION GUIDELINES ARE PROVIDED SOLELY BY THE MANUFACTURER, WHO IS SOLELY RESPONSIBLE FOR PROPER VENTING INSTALLATION.

- ① A **UNIVERSAL ADAPTER** (Z-Flex Z-Vent # 2ZVB03) must be installed directly on the exhaust terminal of the water heater, after which straight vent piping and/or elbows can be connected to the adapter. The universal adapter must be installed in the **VERTICAL** position and in the orientation that allows the interior damper, if present, to open as needed when heater is in operation. See diagram in **"Typical Installation (Wall Vent Configuration)"**.
- ② Follow the manufacturer vent pipe assembly guidelines and sample diagrams below.
- ③ Use UL certified stainless steel vent pipe as per the standard UL 1738 and ULC S636-BH.



LEGEND

- V = Vent terminal
- X = Air supply inlet
- = Area where terminal is not permitted

Ref	Clearance Description	Canadian Installations (1)	US Installations (2)
A =	Clearance above grade, veranda, porch, deck, or balcony	12 in (30 cm)	12 in (30 cm)
B =	Clearance to window or door that may be opened	36 in (91 cm)	12 in (30 cm)
C =	Clearance to permanently closed window	*	*
D =	Vertical clearance to ventilated soffit located above the terminal within a horizontal distance of 2 ft (61 cm) from the center line of the terminal	*	*
E =	Clearance to unventilated soffit	*	*
F =	Clearance to outside corner	*	*
G =	Clearance to inside corner	*	*
H =	Clearance to each side of the center line extended above meter/regulator assembly	3 ft (91 cm) within a height of 15 ft (4.6 m)	*
I =	Clearance to service regulator vent outlet	3 ft (91 cm)	*
J =	Clearance to non-mechanical air supply inlet to building or the combustion air inlet to any other appliance	36 in (91 cm)	12 in (30 cm)
K =	Clearance to a mechanical air supply inlet	6 ft (1.83 m)	3 ft (91 cm) above if within 10 ft (3 m) horizontally
L =	Clearance above paved sidewalk or paved driveway located on public property	7 ft (2.13 m) †	7 ft (2.13 m) *
M =	Clearance under veranda, porch, deck, or balcony	12 in (30 cm) ‡	*

* Refer to ANSI Z223.1/NFPA 54 or CSA B149.1, for clearances not specified in these requirements, one of the following shall be indicated:

i) The minimum distance from adjacent public walkways, adjacent buildings, openable windows, and building openings shall not be less than those values specified in the National Fuel Gas Code, ANSI Z223.1/NFPA 54, and/or the Natural Gas and Propane Installation Code, CSA B149.1;

† A vent shall not terminate directly above a sidewalk or paved driveway that is located between two single family dwellings and serves both dwellings.

‡ Permitted only if veranda, porch, deck, or balcony is fully open on a minimum of two sides beneath the floor.

Notes:

- ① In accordance with the current CSA B149.1, Natural Gas and Propane Installation Code.
- ② In accordance with the current ANSI Z223.1/NFPA 54, National Fuel Gas Code.
- ③ If locally adopted installation codes specify clearances different than those illustrated, then the most stringent clearance shall prevail.

Termination Details

- ① Determine the number of elbows of 90 degrees that will be used in the evacuation system (two elbows of 45 degrees being considered as a single elbow of 90 degrees).
- ② To determine the MAXIMUM PIPE LENGTH based on the number of elbows included in the installation, refer to the table below.

For example: an installation with one (1) elbow will have a maximum pipe length of 35 ft (10.7 m).

NUMBER OF 90° ELBOWS						
0	1	2	3	4	5	6
41 ft (12.5 m)	35 ft (10.7 m)	29 ft (8.8 m)	23 ft (7.0 m)	17 ft (5.2 m)	11 ft (3.4 m)	5 ft (1.5 m)

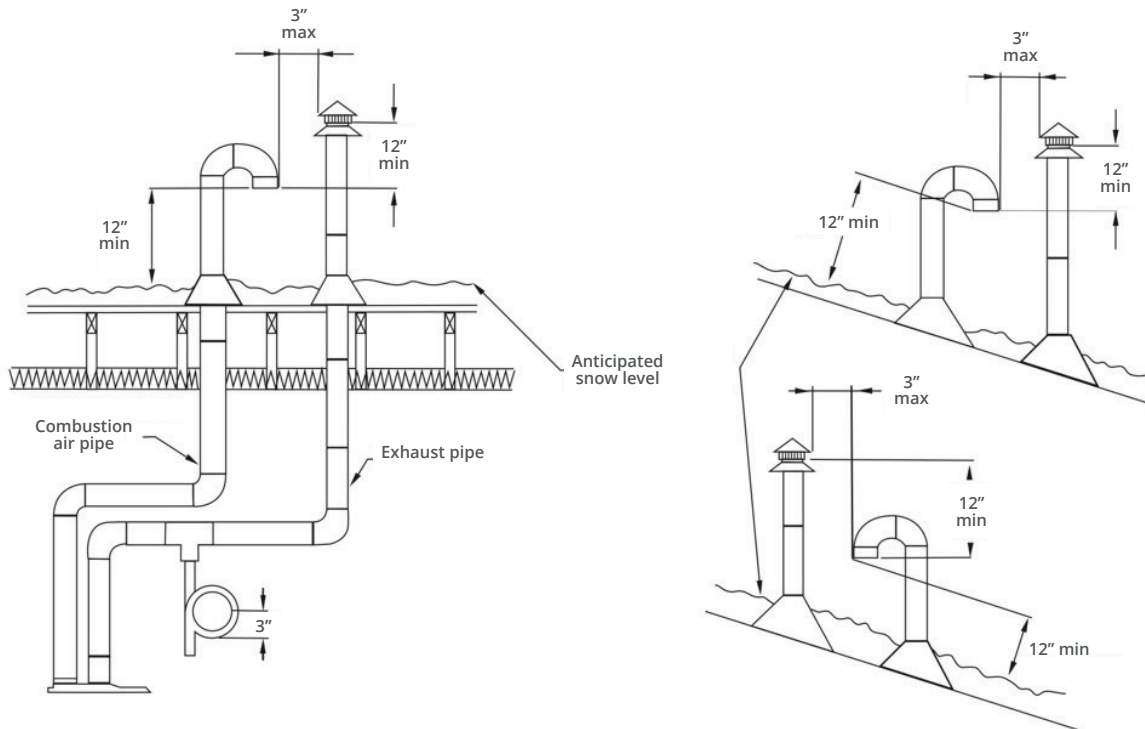
- ③ To determine the MINIMUM PIPE LENGTH, see guidelines below:
 - For horizontal installation, the minimum exhaust pipe length is 12" (35 cm) provided one vent termination is installed to the outdoors through a sidewall and one elbow is included in the installation.
 - For a vertical installation, the minimum exhaust pipe length is 4" (10 cm) provided one vent termination is installed to the outdoors through a roof.

Termination Configuration

VERTICAL TERMINATIONS

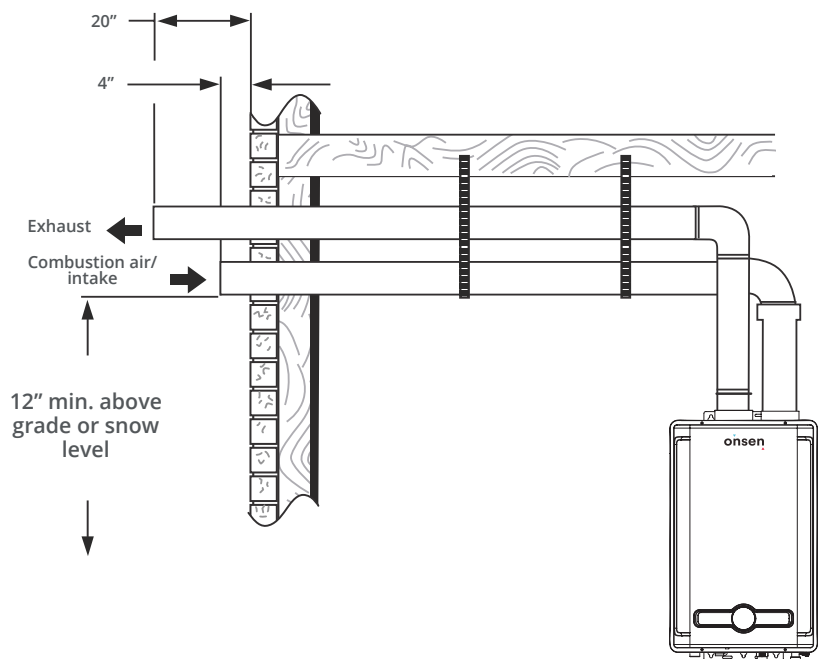
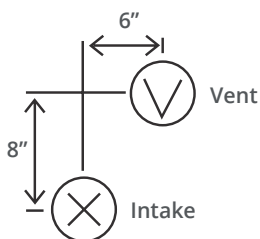
The air intake requires a return bend or two 90° elbows to prevent entry of rain.

The vent termination and air intake must be in the same pressure zone.



HORIZONTAL TERMINATIONS

The air intake must be located in relation to the exhaust as shown below.



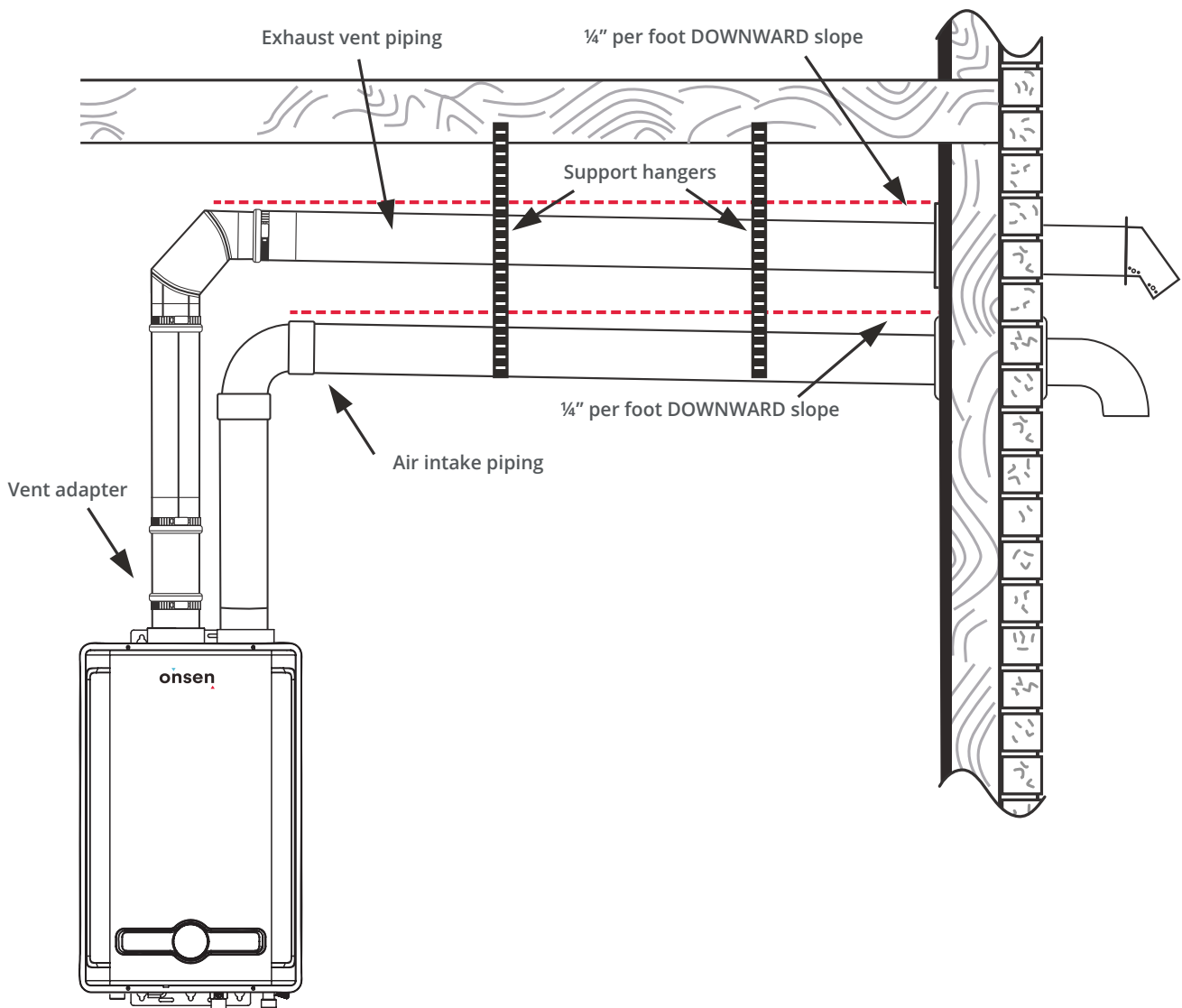
The vent termination and air intake must be in the same pressure zone and face the same direction.

NOTE: Local codes or plumbing authority requirements may vary from the instructions or diagrams provided and take precedent over these instructions.

DOWNWARD SLOPE OF EXHAUST PIPING

Slope exhaust piping DOWNWARD towards the exhaust terminal with a 2% slope angle ($\frac{1}{4}$ " per foot; 19 mm/m) to ensure drainage of rain or any accumulating condensate near termination.

Slope air intake piping DOWNWARD towards the termination with a 2% slope angle ($\frac{1}{4}$ " per foot; 19 mm/m) to prevent rain entry.

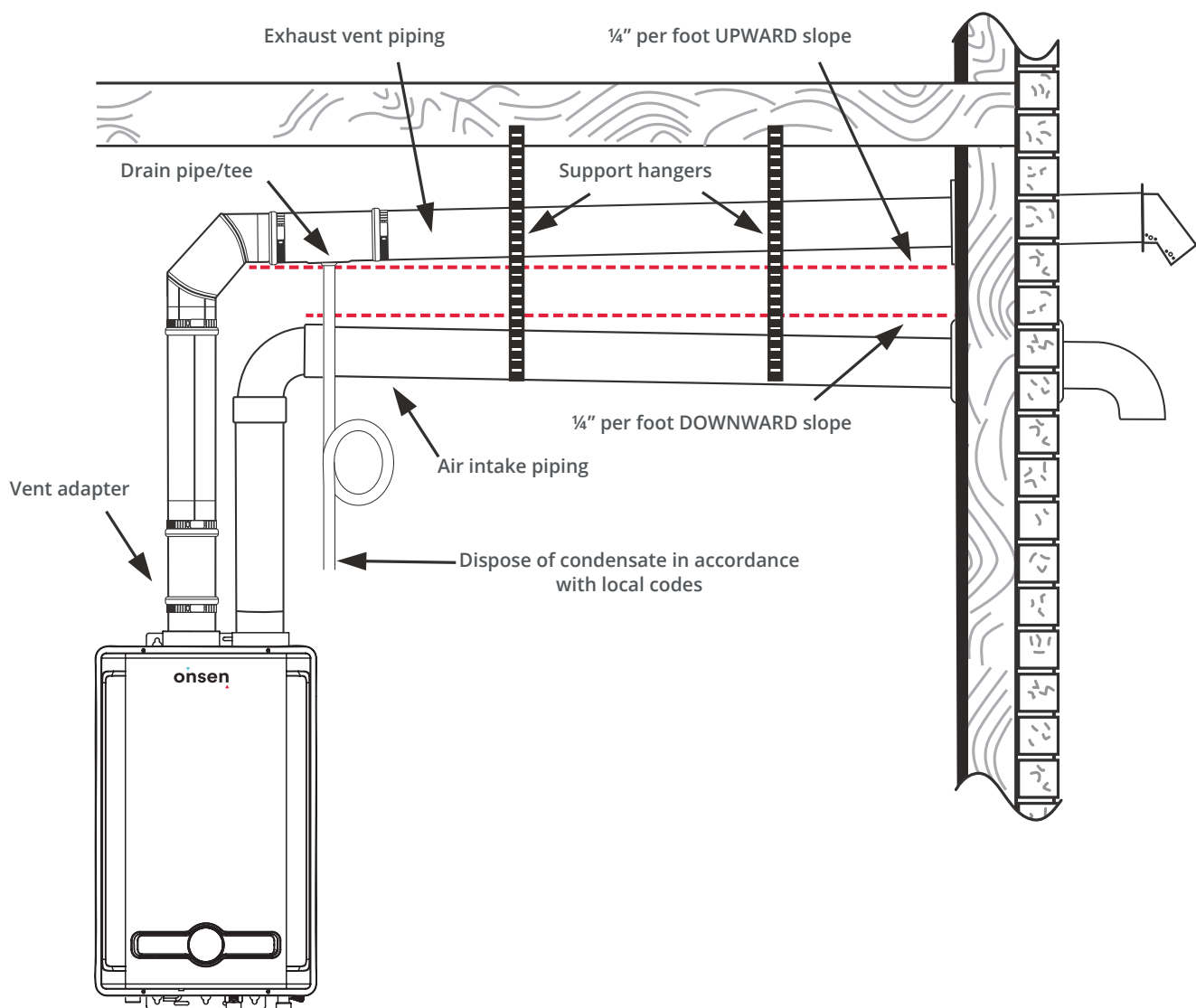


NOTE: Local codes or plumbing authority requirements may vary from the instructions or diagrams provided and take precedent over these instructions.

UPWARD SLOPE OF EXHAUST PIPING

If it is not possible to slope piping downward towards exhaust terminal, a $\frac{1}{4}$ " per foot UPWARD slope is acceptable, provided an UL approved Category III Stainless Steel condensate trap (horizontal drain pipe/tee) is installed at the beginning of the horizontal run.

Slope air intake piping DOWNWARD towards the termination with a 2% slope angle ($\frac{1}{4}$ " per foot; 19 mm/m) to prevent rain entry.



NOTE: Local codes or plumbing authority requirements may vary from the instructions or diagrams provided and take precedent over these instructions.

Recommended Vent Products

PRODUCT	MANUFACTURER	SERIES	VENT TYPE	PART #	VENT DIAMETER
Z-Vent Horizontal Vent Kit	Z-Flex	Z-Vent	Horizontal (Wall vent)	2ZVEWD03A	3 inch
Z-Vent Adjustable Wall Thimble	Z-Flex	Z-Vent	Horizontal (Wall vent)	2SVWTM03	3 inch
Z-Vent Universal Adapter w/ Backflow Preventer	Z-Flex	Z-Vent	Horizontal (Wall vent)	2ZVB03	3 inch
Z-Vent 90° Elbow	Z-Flex	Z-Vent	Horizontal (Wall vent)	2SVEEWC0390	3 inch
Z-Vent 45° Elbow	Z-Flex	Z-Vent	Horizontal (Wall vent)	2SVEEWC0345	3 inch
Z-Vent Termination Hood	Z-Flex	Z-Vent	Horizontal (Wall vent)	2SVSHTX03	3 inch
Z-Vent Diameter Single Wall Pipes	Z-Flex	Z-Vent	Horizontal (Wall vent)	2SVEPWC0301 2SVEPWC0301.5 2SVEPWC0302 2SVEPWC0303 2SVEPWC0304 2SVEPWC0305	3 inch
Z-Vent Horizontal Drain Pipe	Z-Flex	Z-Vent	Horizontal (Wall Vent)	2SVEDWC03	3 inch

MANUFACTURER CONTACT INFORMATION

Manufacturer	Z-Flex	Website	www.novaflex.com
Telephone	800-654-5600	E-Mail	sales@z-flex.com

START UP AND TESTING



WARNING

If the information in these instructions is not followed exactly, a fire or explosion may result causing property damage, personal injury or death.



DANGER

Do not store or use gasoline or other flammable vapors and liquids in the vicinity of this or any other appliance.

WHAT TO DO IF YOU SMELL GAS:

1. Do not try to light any appliance.
2. Do not touch any electrical switch; do not use any phone in your building.
3. Immediately call your gas supplier from a neighbor's phone.
4. Follow the gas supplier's instructions.
5. If you cannot reach your gas supplier, call the fire department.

- ✓ This appliance does not have a pilot. A built in ignition device will automatically light the burner. Do not try to light the burner by hand.
- ✓ Use only your hand to turn any gas control valves in the system. Never use tools. If the valves will not push in or turn by hand, do not try to repair it, call a qualified service technician. Force or attempted repair may result in a fire or explosion.
- ✓ Do not use this appliance if any part has been under water. Immediately call a qualified service technician to inspect the appliance and to replace any part of the control system and any gas control that has been under water.

▶ INITIAL START UP

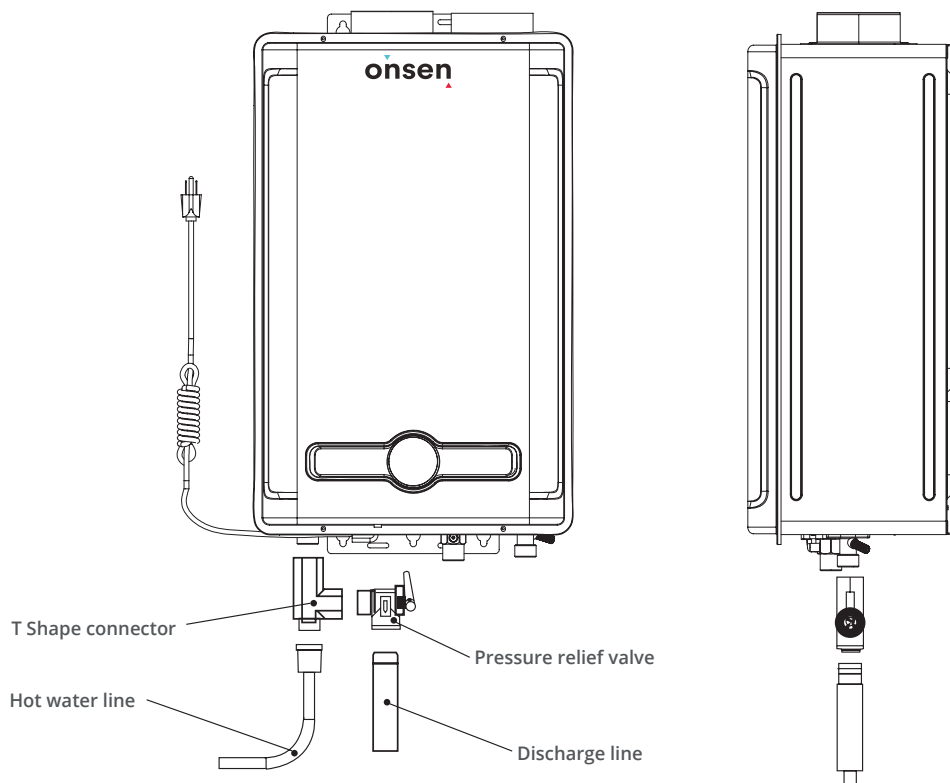
- ① **STOP!** Read the safety information from the previous page.
- ② Ensure unit is unplugged and all electric power to the appliance is off.
- ③ Locate the manual gas valve to the heater. Open the manual gas valve for 15-30 seconds.
- ④ Turn the manual valve clockwise to the full OFF position.
- ⑤ Carefully check for any sign or smell of gas. If gas is detected, wait five (5) minutes for it to clear. STOP and go no further until gas leak point is detected.
- ⑥ If no gas is detected, open the manual gas valve for five (5) minutes and again check area for any signs of gas. At any sign of gas, STOP and go no further. Follow the safety precautions from the previous page.
- ⑦ If no gas is detected, proceed.
- ⑧ Open the water supply valve to the unit. Inspect for any leaks.
- ⑨ Visually inspect air intake inlet and exhaust piping to ensure they are not obstructed.
- ⑩ Plug in the unit.
- ⑪ Press the ON button to turn on the unit.
- ⑫ Adjust the temperature set point per “Temperature Control” in section “Operating Instructions” of this manual.
- ⑬ This appliance is equipped with an ignition device that automatically lights the burner. Do not try to light the burner by hand.
- ⑭ Open a hot water tap to a flow above the minimum flow point (0.66 gpm/ 2.5 l/min). The burner control system will fire the igniter, the burner will light, and hot water will be produced.

- 15 If the heater will not operate, follow the shutdown instructions. Wait 5 minutes and attempt to repeat this start up procedure.
- 16 If system does not operate, begin troubleshooting per “**Troubleshooting**” section of this manual or contact Onsen at support@onsenproducts.com or 800-996-5559.

▶ RELIEF VALVE INSTALL

For safe operation of the water heater, be sure that:

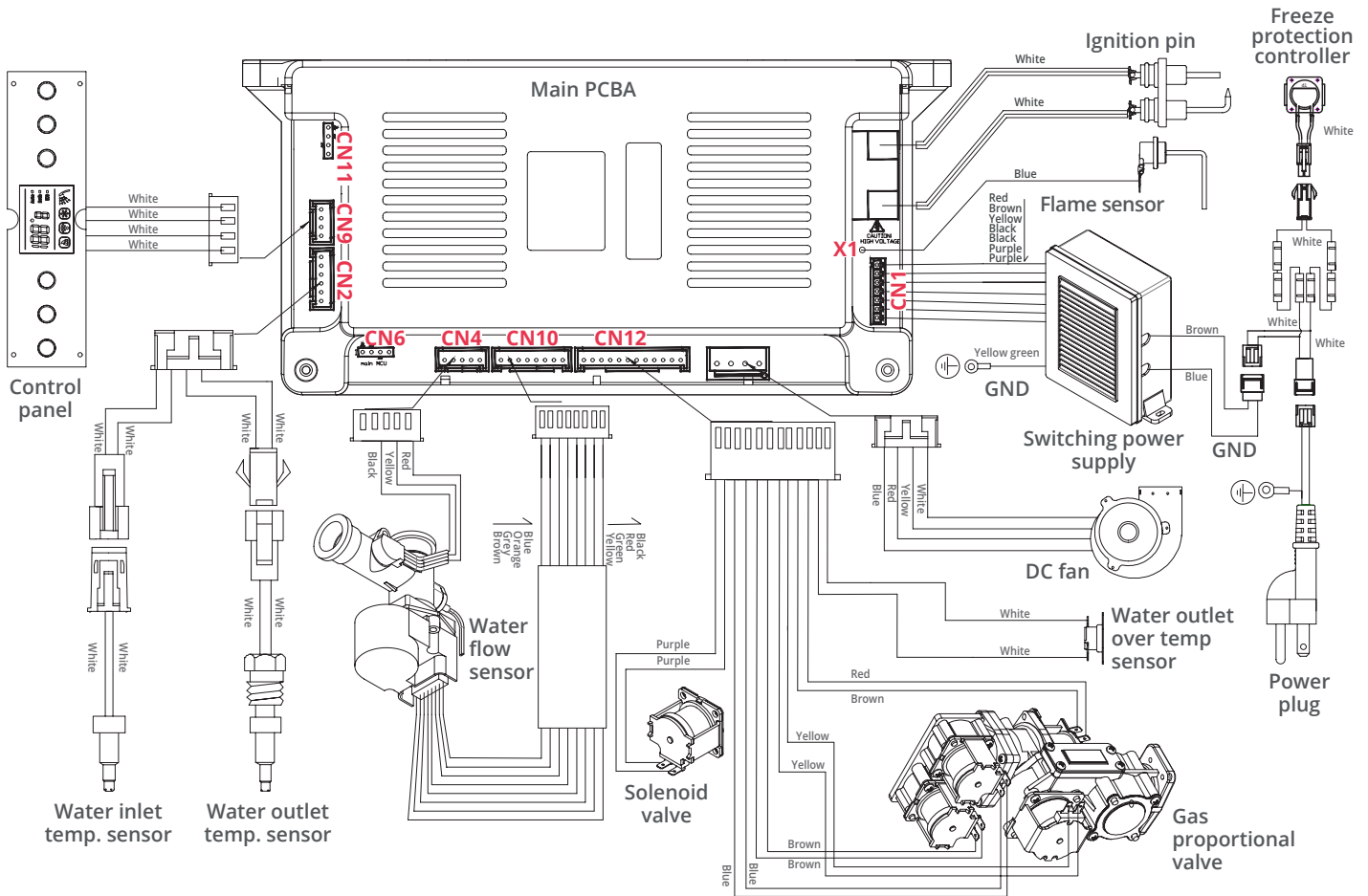
- ✓ The pressure rating of the relief valve must not exceed 125 psi, the maximum working pressure of the water heater as marked on the rating plate.
- ✓ The BTU rating of the relief valve must equal or exceed the BTU input of the water heater as marked on its rating plate.
- ✓ No valve of any type should be installed between the relief valve and the water heater.
- ✓ The discharge line must be NO SMALLER than the outlet of the valve and must pitch downward to allow complete drainage (by gravity) of the relief valve and discharge line.
- ✓ The end of the discharge line should not be threaded or concealed. No valve of any type, restriction or reducer coupling should be installed in discharge line.



REFERENCE

WIRING DIAGRAM

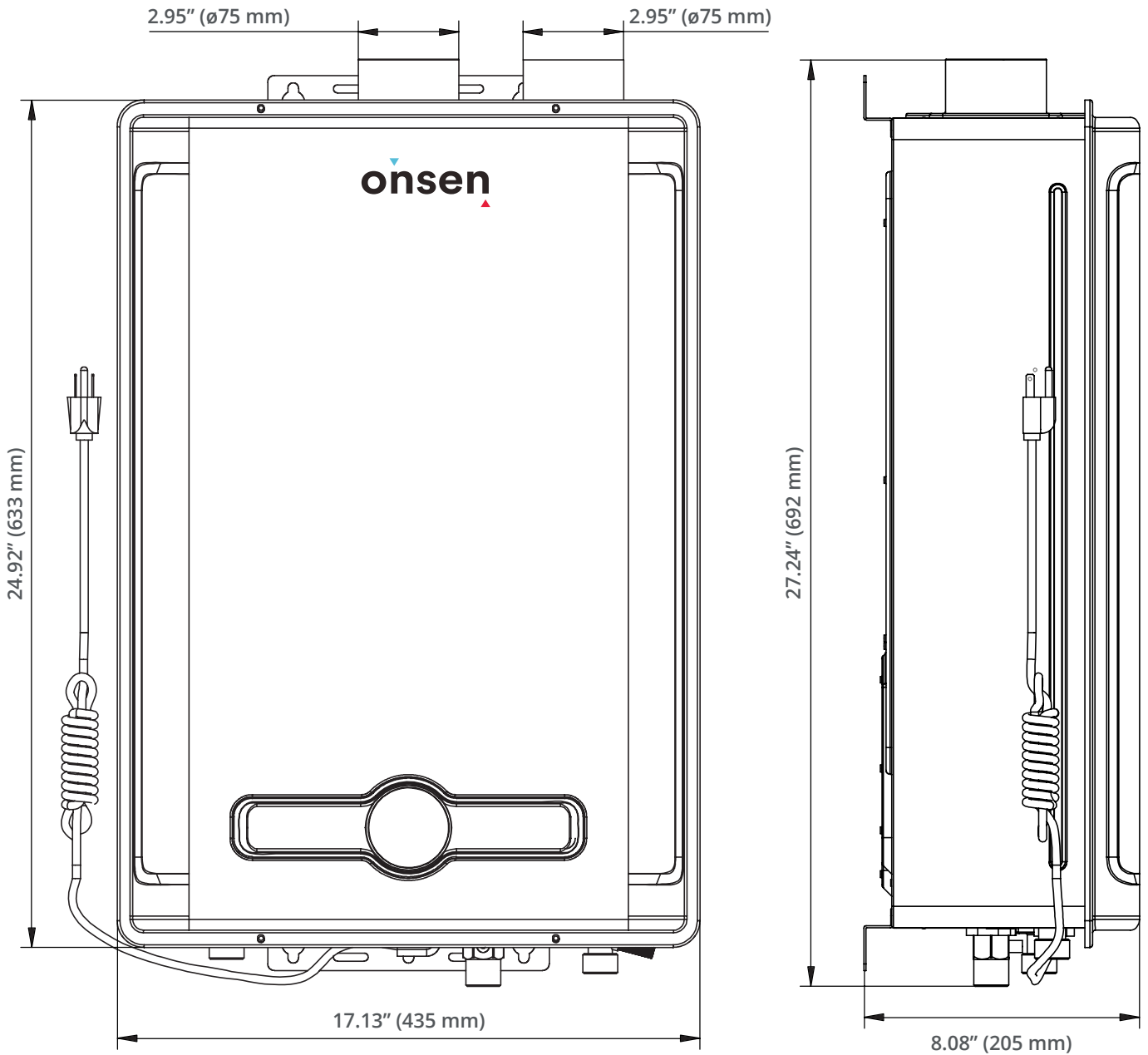
Wiring Diagram



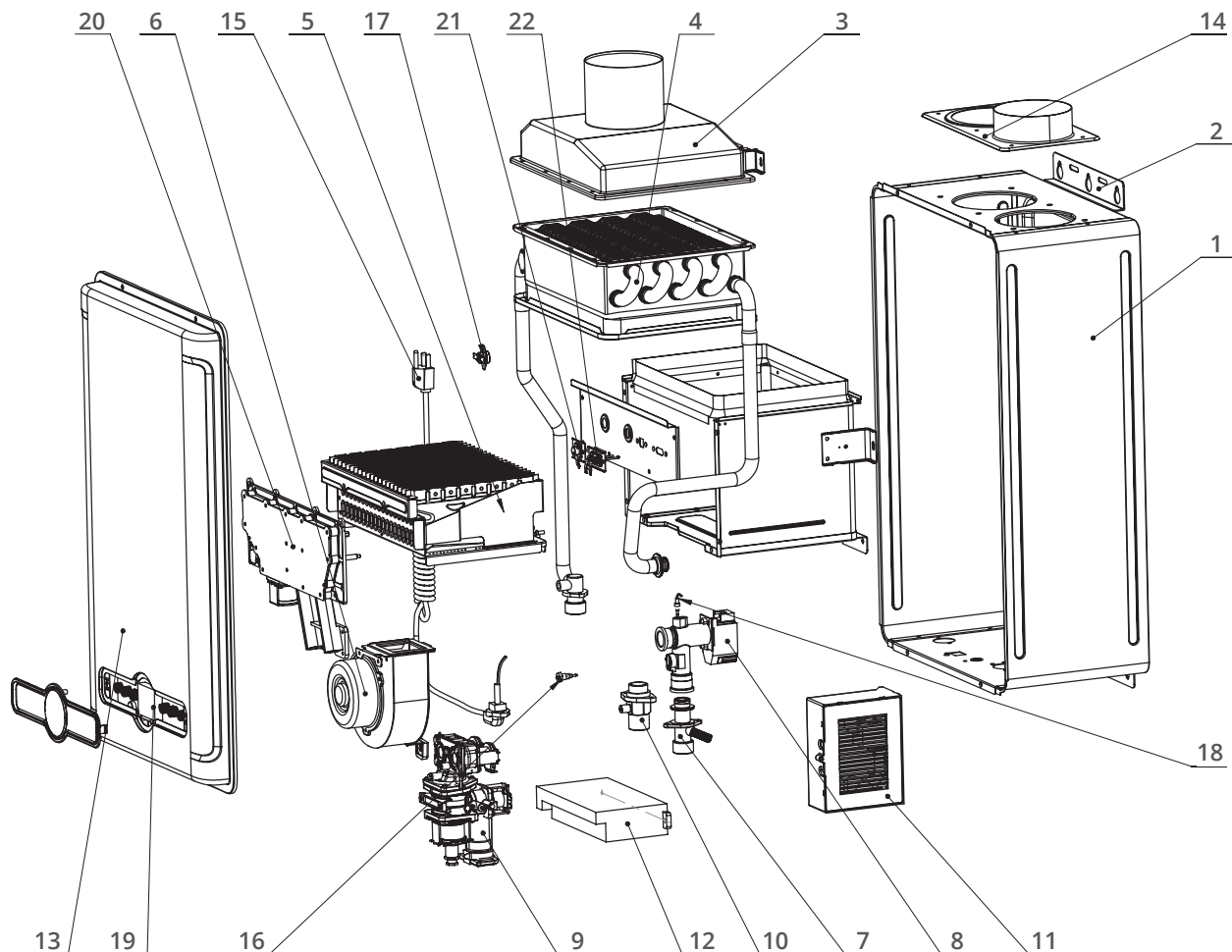
SYSTEM SPECIFICATIONS

MODEL NO.		ON-I26L
Type of appliance		Tankless, temperature controlled, continuous flow gas hot water system
Flue system		Direct vent, twin pipe
Rated gas pressure	Natural gas	Max. Inlet Gas Pressure: 10.5 inch W.C. (2610 Pa) Min. Inlet Gas Pressure: 3.5 inch W.C. (870 Pa)
	Propane (LPG)	Max. Inlet Gas Pressure: 13.0 inch W.C. (3230 Pa) Min. Inlet Gas Pressure: 8.0 inch W.C. (1990 Pa)
Temperature range		Within 35° C to 60° C (95° F to 140° F)
Dimensions (mm)	Width	17.13 in. / 435 mm
	Height	27.24 in. / 692 mm
	Depth	8.08 in. / 205 mm
Weight		39.68 lbs / 18 kg
Connections	Gas	¾ inch NPT
	Cold water supply	¾ inch NPT
	Hot water supply	¾ inch NPT
Ignition system		Electronic ignition
Max/min gas consumption	Natural gas	180,000 Btu/h - 20,000 Btu/h
	Propane (LPG)	180,000 Btu/h - 20,000 Btu/h
Minimum operating water flow		0.67 gpm (2.5 l/min)
Minimum operating pressure		15 PSI
Power supply		120 Vac/60Hz/1A, one phase
Safety devices	Flame failure	Flame rod
	Boil dry	Water flow sensor /221° F thermistor
	Over temperature	185° F (integrated circuit system)
	Fusible link	320° F Thermal fuse
	Pressure relief valve	Opens 125 PSI
	Combustion fan rpm check	Integrated circuit system
	Over current	Glass fuse (5 Amp/5 Amp)
Electrical consumption (normal)		48 W
Electrical consumption (freeze protection feature activated)		168 W

DIMENSIONS



NAMES OF MAJOR PARTS AND COMPONENTS



NO	PART NAME	QTY
1	Casing	1
2	Mounting bracket	2
3	Fume collecting hood	1
4	Heat exchanger assembly	1
5	Burner	1
6	Fan assembly	1
7	Water inlet fitting	1
8	Water flow sensor	1
9	Gas proportional valve	1
10	Gas inlet fitting	1
11	Power supply	1

NO	PART NAME	QTY
12	Controller (PCB)	1
13	Front panel	1
14	Air intake module	1
15	Power plug	1
16	Temperature sensor (outlet)	1
17	Water outlet over temp sensor	1
18	Temperature sensor (inlet)	1
19	Control panel	1
20	Gas pipe	1
21	Flame sensor	1
22	Ignition pin	1

LIMITED WARRANTY

▶ WHAT IS COVERED?

Onsen warrants this water heater and its components to be free from defects in material and workmanship according to the terms herein.

This limited warranty is to the original owner of the heater at original installed location and is transferable only with original receipt showing date of purchase. This limited warranty applies to heaters installed within the US and Canada by licensed professionals in accordance with Onsen's installation and operating instructions and all applicable codes. Improper installation may void the warranty. The limited warranty coverage as set out in the table below extends to the original purchaser and subsequent owners, but only while the product remains at the site of the original installation. This limited warranty only extends to the first / original installation of the product and terminates if the product is moved or reinstalled at a new location. The effective date of this limited warranty is the verified date of purchase (original receipt).

ITEM	Heat exchanger	All other parts and components
WARRANTY COVERAGE	5 years	2 years

▶ WHAT WILL ONSEN DO?

Onsen will repair or replace the covered product or any part or component that is defective in materials or workmanship as set forth in the above table. Replacement of the product may be authorized by Onsen only at its sole discretion. If Onsen determines that repair of a product is not possible, Onsen may replace the product with a comparable product at Onsen's sole discretion. The warranty claim for product parts and labor may be denied if a component or product returned to Onsen is found to be free of defects in material or workmanship; damaged by improper installation, use or operation; or damaged during return shipping.

▶ MAKING A WARRANTY CLAIM

Warranty claims must be submitted directly to Onsen. If you are advised to return the unit, you must obtain a Returned Goods Authorization (RGA) number BEFORE RETURNING THE UNIT. When contacting Onsen, please have the unit's serial number and original receipt on hand to provide purchase date and other necessary information. Package the heater well to prevent damage, tag the heater with the RGA number and ship the water heater to Onsen as instructed. Unauthorized returns may be rejected at Onsen's discretion.

For pre-approved warranty claims, responsibility for shipping costs will be allocated as follows:

- ▶ **Within 60 DAYS of the date of purchase:** ground shipping within the continental United States and Canada (excluding territories) will be paid by Onsen.
- ▶ **After 60 DAYS of the date of purchase:** owner is responsible for shipping costs.

▶ EXCLUSIONS

THIS LIMITED WARRANTY SHALL BE THE EXCLUSIVE WARRANTY MADE BY ONSEN AND IS MADE IN LIEU OF ALL OTHER WARRANTIES, EXPRESSED OR IMPLIED (WHETHER WRITTEN OR ORAL), INCLUDING, BUT NOT LIMITED TO, WARRANTIES OF MERCHANTABILITY AND FITNESS FOR A PARTICULAR PURPOSE. THE REMEDIES SET FORTH HEREIN ARE THE ONLY REMEDIES AVAILABLE TO THE OWNER OR ANY PERSON. Onsen does not authorize any person or company to assume any obligation or liability in connection with the repair or replacement. Onsen shall not be liable for any incidental, consequential, special or contingent damages or expenses arising, directly or indirectly, from any defect in the water heater or the use of the water heater. Onsen shall not be liable for any water damage arising, directly or indirectly, from any defect in the water heater component part(s) or from its use.

Some states/provinces do not allow the exclusion or limitation of incidental or consequential damages, so the above limitations may not apply to you. This warranty gives you specific legal rights, and you may also have other rights which vary depending on the state/province.

Onsen shall not be liable under this warranty if the water heater is subjected to any of the following conditions:

- ▶ Misuse, alteration, unauthorized repair, neglect, accident or abuse.
- ▶ Has not been installed by a licensed professional in accordance with the installation and operating instructions set out in this manual.
- ▶ Has not been installed in accordance with the applicable local plumbing and/or building code(s) and/or regulation(s).
- ▶ Has been improperly installed (such as but not limited to):
 - ✓ Installed in a corrosive environment.
 - ✓ Condensate damage.
 - ✓ Improper venting.
 - ✓ Incorrect gas type.
 - ✓ Incorrect gas or water pressure.
- ▶ Improper maintenance (such as, but not limited to, scale build-up, freeze damage, or vent blockage).
- ▶ Incorrect sizing.
- ▶ Any other cause not due to defects in materials or workmanship.
- ▶ Problems or damage due to fires, flooding, electrical surges, freezing or any acts of God.
- ▶ Any damage caused by poor water quality.

- ▶ Operating the water heater with anything other than potable water at all times.
- ▶ Force majeure.
- ▶ Has been operated while frozen.
- ▶ Is exposed to inlet temperatures above 125° F (52° C).
- ▶ Exposed to water pressures above pressure rating of 150 psig (1.0 MPa).
- ▶ Used for service in a spa, pool, boat or water craft.

There is no warranty coverage on product installed in a closed loop application, commonly associated with space heating only applications.

This warranty does not cover any product used in an application that uses chemically treated water such as a pool or spa heater.

 **AVERTISSEMENT**

Si les informations contenues dans ces instructions ne sont pas suivies à la lettre, un incendie ou une explosion pourrait en résulter, entraînant des dommages matériels, des blessures corporelles ou la mort.

Ne pas entreposer ni utiliser de produits inflammables tels que de l'essence, des solvants ou des adhésifs dans la même pièce à proximité du chauffe-eau.

QUE FAIRE SI VOUS SENTEZ UNE ODEUR DE GAZ :

- Ne tentez pas d'allumer aucun appareil.
- Ne touchez aucun interrupteur électrique ; N'utilisez aucun téléphone dans votre immeuble.
- Appelez immédiatement votre fournisseur de gaz à partir du téléphone d'un voisin.
- Suivez les instructions du fournisseur de gaz.
- Si vous ne pouvez pas joindre votre fournisseur de gaz, appelez les pompiers.

L'installation et le service pour cet appareil doivent être effectués par un installateur qualifié - agence de services de sécurité ou le fournisseur de gaz.

ONSEN
2181 RUE DE LA MÉTROPOLE
LONGUEUIL (QUÉBEC) J4G 1S5
CANADA



AVERTISSEMENT: RISQUES DE DOMMAGES CAUSÉS PAR LE GEL LIRE ATTENTIVEMENT AVANT L'INSTALLATION* ET L'USAGE DE CE PRODUIT**

LES DOMMAGES CAUSÉS PAR LE GEL NE SONT PAS COUVERT PAR LA GARANTIE DU MANUFACTURIER.

CONCERNANT L'INSTALLATION ET L'UTILISATION DU CHAUFFE-EAU EN RÉGIONS OÙ L'AIR EXTÉRIEUR PEUT ATTEINDRE DES TEMPÉRATURES DE CONGÉLATION, IL EST IMPORTANT DE PRENDRE LES MESURES NÉCESSAIRES POUR ÉVITER LES DOMMAGES POUVANT ÊTRE CAUSÉS PAR LE GEL.

*** L'INSTALLATION ET LE SERVICE DE CET APPAREIL DOIVENT ÊTRE EFFECTUÉS PAR UN INSTALLATEUR QUALIFIÉ. DE PLUS, IL EST FORTEMENT RECOMMANDÉ DE FAIRE APPEL À UN INSTALLATEUR QUI TRAVAILLE RÉGULIÈREMENT AVEC DES SYSTÈMES DE VENTILATION POUR EFFECTUER L'INSTALLATION.**

**** ASSUREZ-VOUS DE TOUJOURS EFFECTUER L'INSTALLATION CONFORMÉMENT AUX CODES LOCAUX OU, EN L'ABSENCE DE CES DERNIERS, AU NATIONAL FUEL GAS CODE ANSI Z223.1/NFPA 54, OU AU CODE D'INSTALLATION DU GAZ NATUREL ET DU PROPANE CSA B149.1.**

VEUILLEZ VOIR LES RECOMMANDATIONS D'INSTALLATION CI-DESSOUS POUR VOUS ASSURER QUE VOTRE CHAUFFE-EAU EST PROTÉGÉ DES DOMMAGES CAUSÉS PAR LE GEL.

LES DOMMAGES CAUSÉS PAR LE GEL PEUVENT GÉNÉRALEMENT SE PRODUIRE DE L'UNE DES DEUX FAÇONS SUIVANTES :

①

LA TEMPÉRATURE AMBIANTE DU LIEU DE L'INSTALLATION CHUTANT SOUS LE POINT DE CONGÉLATION

OU

②

L'AIR FROID PROVENANT DE L'EXTÉRIEUR DE LA DEMEURE, PÉNÉTRANT PAR LE CONDUIT D'ÉCHAPPEMENT OU CONDUIT D'ADMISSION D'AIR DU CHAUFFE-EAU

①

RECOMMANDATIONS CONCERNANT LES RISQUES DE GEL ASSOCIÉS À LA TEMPÉRATURE AMBIANTE DU LIEU DE L'INSTALLATION DU CHAUFFE-EAU

Des dommages causés par le gel peuvent survenir lorsque la température ambiante chute sous le point de congélation tel que durant une panne de courant ou pour toute installation de type chalet ou autre résidence secondaire n'étant pas chauffé à l'année.

Dans ces circonstances, le chauffe-eau doit être drainé manuellement pour éviter les dommages pouvant être causés par le gel.

Pour se faire, il est recommandé de souffler de l'air comprimé dans le raccord d'entrée d'eau pour éliminer l'eau résiduelle de la tuyauterie qui s'écoulera par le raccord de sortie d'eau.

② RECOMMANDATIONS CONCERNANT LES RISQUES DE GEL ASSOCIÉS AU (A) CONDUIT D'ÉCHAPPEMENT DU GAZ ET (B) CONDUIT D'ADMISSION D'AIR

(A) RECOMMANDATIONS CONCERNANT RISQUES DE GEL ASSOCIÉS AU CONDUIT D'ÉCHAPPEMENT DU GAZ

L'air froid extérieur peut pénétrer dans le chauffe-eau par la tuyauterie d'échappement lorsque le chauffe-eau n'est pas en opération, ce qui peut causer des dommages dû au gel.

Pour empêcher l'air froid d'atteindre le chauffe-eau, il est **FORTEMENT RECOMMANDÉ** d'installer un adaptateur universel équipé d'un **dispositif anti-refoulement** dans la tuyauterie d'échappement.

Par exemple, le kit de ventilation mural 3 po. Z-Vent (2ZEWD03A) inclut un adaptateur universel équipé d'un **dispositif anti-refoulement** compatible avec le modèle Onsen 26L.

(B) RECOMMANDATIONS CONCERNANT LES RISQUES DE GEL ASSOCIÉS AU CONDUIT D'ADMISSION D'AIR

Il existe deux types d'application pour alimenter le chauffe-eau en air de combustion :

APPLICATION 1

Ventilation indirecte

(air de combustion provenant de la pièce) **

OU

APPLICATION 2

Ventilation directe

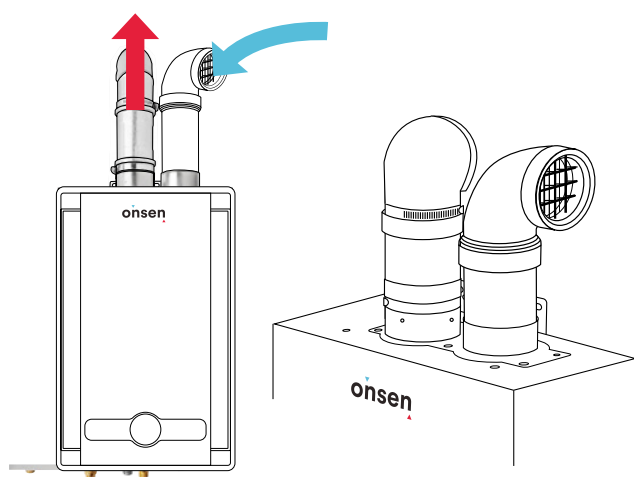
(air de combustion provenant de l'extérieur)

Veuillez lire et suivre les directives d'installation relatives à chaque type d'application ci-dessous :

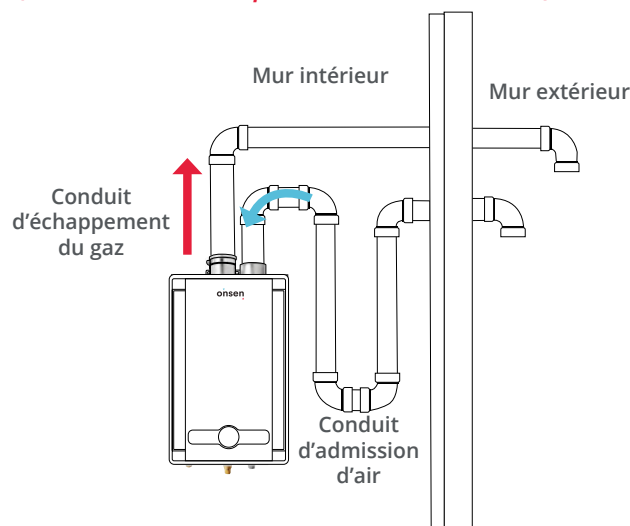
Application 1	Directives d'installation
Ventilation indirecte (air de combustion provenant de la pièce)	Le risque de dommages associé au gel est réduit de manière considérable puisque l'air de combustion est aspiré de la pièce chauffée où est installé le chauffe-eau (voir exemple ci-dessous à la Figure 1).**
	L'application de ventilation indirecte offre l'avantage d'une installation simplifiée comparative-ment à l'application de ventilation directe.
	À noter que pour ce type d'installation, il n'est pas recommandé d'installer le chauffe-eau dans un espace restreint (ex : placard).
	L'application de ventilation indirecte requiert un volume d'air suffisant pour assurer le bon fonctionnement du chauffe-eau. Pour le volume d'air intérieur requis , veuillez-vous référer aux codes locaux ou, en l'absence de ces derniers, au National Fuel Gas Code ANSI Z223.1/NFPA 54, ou au Code d'installation du gaz naturel et du propane CSA B149.1.

Application 2	Directives d'installation
Ventilation directe (air de combustion provenant de l'extérieur)	L'application de ventilation directe offre l'avantage et la possibilité d'une installation en espace restreint (ex : placard) ou tout autre endroit où le volume d'air de la pièce est insuffisant.
	Notez que si vous planifiez une installation en espace restreint, assurez-vous de suivre les exigences de dégagement décrites dans la section EXIGENCES DE LOCALISATION ET DE DÉGAGEMENT du manuel.
	Pour éviter les risques de dommages associés au gel , il est fortement recommandé de configurer le conduit d'admission d'air de manière à ce qu'il permette le réchauffement de l'air froid provenant de l'extérieur avant de pénétrer dans la prise d'admission d'air du chauffe-eau (voir exemple ci-dessous à la Figure 2).*

*Figure 1: Ventilation indirecte
(air de combustion provenant de la pièce)*



*Figure 2: Ventilation directe
(air de combustion provenant de l'extérieur)*



À la **Figure 2**, le conduit d'admission d'air est configuré de manière à permettre le réchauffement de l'air froid provenant de l'extérieur avant qu'il n'atteigne le chauffe-eau. Plus spécifiquement, cette configuration offre une protection contre les bris potentiels causés par le gel dû aux deux facteurs suivants :

- ▶ La longueur significative de la portion du conduit d'admission d'air (localisée dans la pièce chauffée) permet à l'air froid de se réchauffer avant qu'il n'atteigne le chauffe-eau.
- ▶ La portion verticale du conduit d'admission d'air permet à l'air froid de demeurer dans la partie supérieure du conduit lorsque le chauffe-eau n'est pas en opération.

TABLE DES MATIÈRES

INTRODUCTION ET CONSIGNES DE SÉCURITÉ

Mesures de sécurité importantes.....	53
Consignes de sécurité	53

OPÉRATION

Introduction du produit	56
Mode d'emploi	56
Arrêt prolongé.....	59
Avertissements en climat froid	61
Entretien et inspection	62
Dépannage	65
Codes de diagnostic	67

INSTALLATION

Installation typique (configuration de ventilation murale).....	70
Directives d'installation	71
Inclus dans la boîte	72
Exigences de localisation et de dégagement.....	72
Montage de l'appareil sur un mur	73
Exigences électriques	74
Conduite de gaz	74
Conduites d'eau	78
Système d'admission d'air et d'échappement.....	79
Mise en marche et essais.....	87

RÉFÉRENCE

Schéma de câblage.....	90
Spécifications du système	91
Dimensions du produit	92
Noms des pièces principales et composants.....	93
Garantie limitée.....	94

IMPORTANT : CONSERVEZ CE MANUEL POUR RÉFÉRENCE ULTÉRIEURE !

INTRODUCTION ET CONSIGNES DE SÉCURITÉ

Félicitations pour votre acquisition d'un CHAUFFE-EAU RÉSIDENTIEL AU GAZ SANS RÉSERVOIR ONSEN

Afin de garantir une installation adéquate, une utilisation en toute sécurité et une longue durée de vie, veuillez lire attentivement ces instructions. L'installation ne doit être effectuée que par des professionnels certifiés pour assurer une l'installation conforme avec les codes du bâtiment, de plomberie et d'électricité.

CONSERVEZ CE MANUEL pour référence future. Ce livret contient des informations utiles sur le produit, les exigences de maintenance et les détails de la garantie de votre produit.

IMPORTANT : Ce produit **NE PEUT ÊTRE UTILISÉ** avec des systèmes de chauffage en circuit fermé tels que les planchers radiants et systèmes de chauffage hydronique.

MESURES DE SÉCURITÉ IMPORTANTES

VEUILLEZ LIRE ATTENTIVEMENT TOUTES LES INSTRUCTIONS AVANT D'UTILISER CE PRODUIT.

Lors de l'utilisation de cet produit, les précautions de base doivent toujours être suivies.

DÉFINITIONS DE SÉCURITÉ



CECI EST UN SYMBOLE D'AVERTISSEMENT DE SÉCURITÉ. IL EST UTILISÉ POUR VOUS AVERTIR DES RISQUES POTENTIELS DE BLESSURES. RESPECTEZ TOUS LES MESSAGES DE SÉCURITÉ QUI SUIVENT CE SYMBOLE POUR ÉVITER TOUT RISQUE DE BLESSURE OU DE DÉCÈS.



DANGER

Indique une situation imminente de danger qui, si elle n'est pas évitée, entraînera la mort ou des blessures graves.



AVERTISSEMENT

Indique une situation potentiellement dangereuse qui, si elle n'est pas évitée, pourrait entraîner la mort ou des blessures graves.



ATTENTION

Indique une situation potentiellement dangereuse qui, si elle n'est pas évitée, pourrait entraîner des blessures mineures ou modérées.

CONSIGNES DE SÉCURITÉ



DANGER

NE PAS utiliser un gaz combustible non indiqué sur la plaque signalétique comme compatible avec le chauffe-eau. Une combustion anormale ou une déflagration peut survenir et causer un accident grave.

N'UTILISEZ PAS l'appareil si la tuyauterie de ventilation a été endommagée ou altérée de quelque manière que ce soit, notamment par des fissures, séparation, rouille, fonte, etc.



Si le chauffe-eau doit être installé, déplacé ou requiert un entretien, contactez des professionnels certifiés. Le recours à des professionnels permet de s'assurer que tous les travaux effectués sont pleinement conformes aux codes du bâtiment, de la plomberie et de l'électricité.

Maintenez l'endroit autour de l'appareil dégagée et exempte de matériaux inflammables tels que tissus, bois, aérosols, papier, essence, etc.

Lorsque vous utilisez de l'eau chaude pour la douche ou le bain, vérifiez toujours la température de l'eau avant d'entrer pour éviter les brûlures. Respectez les codes locaux pour le réglage de température d'eau maximum autorisé. Une température de l'eau supérieure à 125° F (52° C) peut causer des brûlures graves, voire mortelles, dues à des brûlures. Les ménages avec de jeunes enfants, des personnes handicapées ou âgées peuvent nécessiter un réglage de 120° F (49° C) ou moins.

Cet appareil de chauffage est conçu uniquement pour chauffer de l'eau et ne doit pas être utilisé pour d'autres applications ou pour tout autre façon.

Ne jamais utiliser un gaz combustible non indiqué sur la plaque signalétique comme compatible avec le chauffe-eau. Une combustion anormale ou une déflagration peut se produire et causer un accident grave incluant des dommages à l'appareil de chauffage.

N'utilisez pas cet appareil si une partie quelconque de celui-ci a été submergée. Consultez un technicien qualifié pour inspecter l'appareil et effectuer les réparations nécessaires avant l'installation et l'utilisation.

Ce chauffe-eau est conçu pour une installation intérieure. Ne l'installer jamais à l'extérieur.

Cet équipement doit être installé dans un endroit où les fuites d'eau provenant de l'unité ou de ses connexions ne causeront pas des dommages aux lieux de l'installation. Le fabricant n'est pas responsable des dommages résultant de fuites.

Connectez le gaz et l'eau selon les instructions seulement. Des connexions incorrectes ou inversées endommageront l'équipement.

Ne serrez pas trop les connexions, sinon l'équipement pourrait être endommagé.

Ne pas installer dans des endroits affectés par des vibrations.

Cet équipement ne doit pas être utilisé sans une connexion adéquate du tuyau d'évacuation. Le tuyau d'échappement ne doit pas aboutir dans un endroit où les gaz d'échappement ou la collecte de condensat pourrait créer une situation dangereuse ou causer des dommages matériels. Les gaz d'échappement doivent être évacués du bâtiment conformément à tous les codes du bâtiment.

La tuyauterie d'échappement est très chaude pendant un certain temps après utilisation. Ne touchez pas le tuyau.

Assurez-vous que la neige, la glace ou d'autres débris ne bloquent pas les conduits d'admission ou d'échappement.

Un entretien régulier doit être effectué dans les endroits autour des appareils de chauffage pour prévenir l'intrusion d'insectes et un éventuel bris de l'équipement.

L'unité doit être entretenue régulièrement pour assurer des performances optimales. Les besoins en service et la fréquence de ceux-ci varieront en fonction des conditions de l'eau dans votre région, notamment l'acidité, l'alcalinité, la dureté, etc.

Les températures de gel peuvent endommager cet appareil. Installer dans des endroits où les températures sont au delà du point de congélation et suivre les procédures pour drainer l'unité si elle est hors service pendant une période de temps prolongée.

Une source d'alimentation de 120 V / 60 Hz doit être utilisée. Un incendie, un choc électrique ou des dommages au chauffe-eau peuvent survenir si une alimentation électrique incorrecte est utilisée.

Cet appareil est équipé d'une fiche mise à la terre à trois broches pour une protection accrue contre les chocs électriques. Assurez-vous que la fiche est correctement insérée dans une prise propre et sèche, conforme à tous les codes d'électricité. Insérez et retirez uniquement la fiche à l'aide de la tête de la fiche et ne jamais utiliser une main mouillée pour brancher ou débrancher la fiche d'alimentation.

Toute modification apportée à l'appareil annulera la garantie.

En cas de surchauffe de l'appareil ou que l'alimentation du gaz ne se coupe pas, fermez la valve d'arrêt de gaz manuelle.

N'utilisez pas cet appareil si une partie quelconque a été submergée. Appelez immédiatement un technicien qualifié pour inspecter l'appareil et remplacer toute composante du système de contrôle et du contrôle de gaz qui aurait été sous l'eau.

Attention : Étiquetez tous les fils avant la déconnexion lors de l'entretien de l'appareil. Les erreurs de câblage peuvent provoquer un fonctionnement incorrect et dangereux.

Vérifier le bon fonctionnement de l'appareil suivant l'entretien.

OPÉRATION

INTRODUCTION DU PRODUIT

- ✓ Le chauffe-eau résidentiel au gaz sans réservoir Onsen 26L est alimenté au gaz et chauffe l'eau en activant une flamme sur l'échangeur de chaleur en cuivre. L'eau entrante est chauffée lorsqu'elle circule dans la tuyauterie de l'échangeur de chaleur avant d'être dirigée vers la sortie d'eau.
- ✓ La température peut être ajustée entre 35° C et 60° C (95° F et 140° F).
- ✓ L'appareil nécessite un débit d'eau minimum de 0,67 gpm (2,5 l / min) et une pression d'eau de 15 psi pour activer l'allumage de la flamme et le système de chauffage. L'appareil reste en fonction jusqu'à ce que le débit descende sous 0,53 gpm (2 l / min).
- ✓ L'allumage du brûleur est électronique. Cet appareil n'est pas équipé d'un pilote et ne consomme pas de gaz lorsque le chauffage n'est pas utilisé.
- ✓ L'air entre de l'extérieur par le conduit d'admission d'air (conduit de droite) situé sur le dessus de l'appareil et est brûlé avec la source de carburant appropriée, puis évacué à l'extérieur par le conduit d'échappement du gaz situé sur le dessus de l'appareil (conduit de gauche).
- ✓ Le système de contrôle intégré de l'unité vérifie en permanence la température de l'eau produite et ajuste le brûleur en conséquence pour fournir une alimentation stable en eau chaude.
- ✓ L'unité offre une grande flexibilité et fournit de l'eau chaude sur une large plage de débits et de températures d'eau entrante sur toute la plage de capacité de l'unité.
- ✓ Cet appareil est muni de plusieurs fonctions de protection telles que la prévention du chauffage à vide, l'arrêt automatique en cas d'extinction accidentelle et la décharge automatique de la pression pour assurer sécurité et fiabilité.

MODE D'EMPLOI

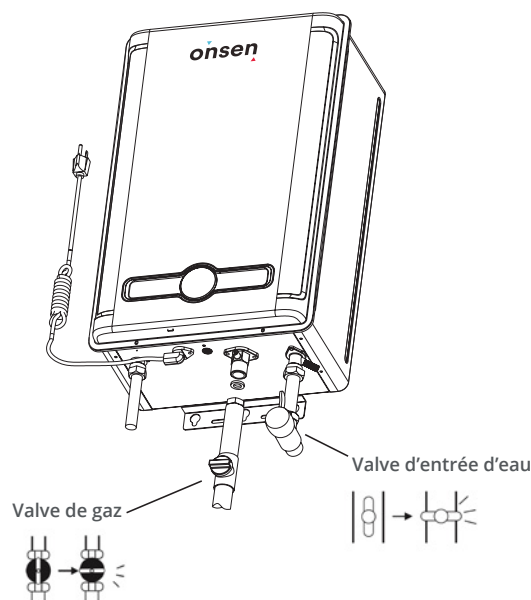
Cette section du manuel informe l'utilisateur des procédures de fonctionnement et suppose que le chauffe-eau a déjà été installé, testé et approuvé pour son fonctionnement par un professionnel certifié.

Pour les instructions du démarrage initial de l'appareil lors d'une nouvelle installation, veuillez vous référer à la « **Mise en marche et essais** » de la section « **Installation** » de ce manuel.

► DÉMARRAGE DE ROUTINE

Exécutez la procédure suivante pour un appareil qui a été mis hors service pendant une courte période de temps :

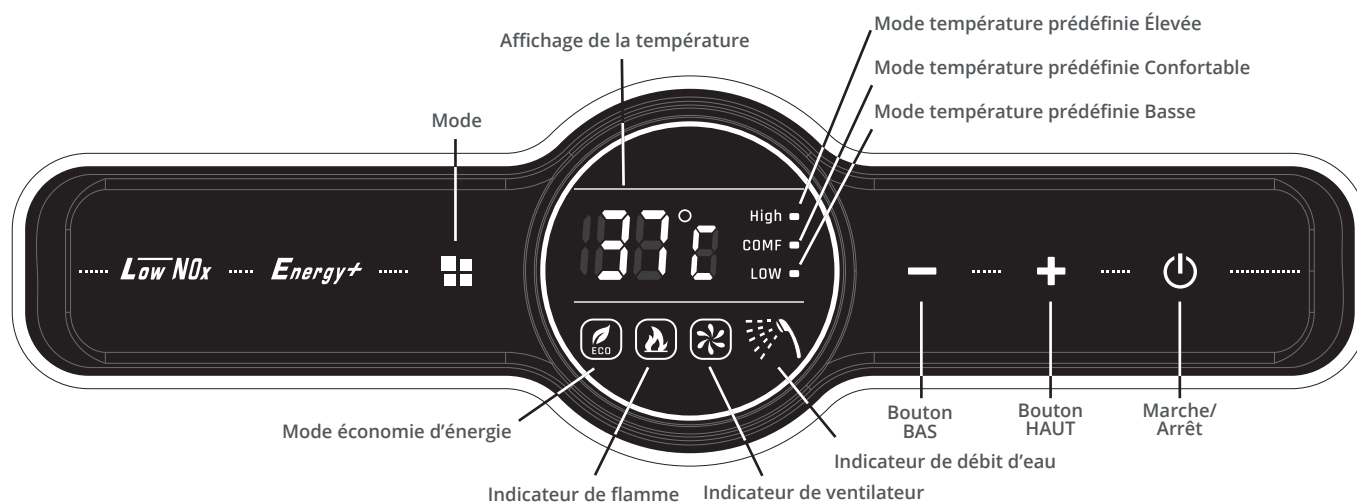
- ① Assurez-vous que tous les bouchons de drainage sont installés dans l'unité.
- ② Assurez-vous que tous les points d'utilisation d'eau chaude (robinets, etc.) sont fermés.
- ③ Ouvrez la valve d'arrivée d'eau.
- ④ Ouvrez un robinet d'eau chaude pour vérifier le débit d'eau, puis fermez le robinet.
- ⑤ Ouvrez la valve de gaz.
- ⑥ Branchez l'appareil à l'alimentation électrique.
- ⑦ Appuyez sur le bouton « ON/OFF » pour allumer l'appareil.
- ⑧ Ajuster la température de l'eau (voir section « Contrôle de la température » de ce manuel).



► PANNEAU DE CONTRÔLE

Le panneau de contrôle et l'affichage permettent d'ajuster les paramètres de fonctionnement de l'appareil ainsi que de fournir de l'information sur l'état actuel de l'opération. L'illustration ci-dessous permet de visualiser les données et symboles pouvant apparaître à divers stades du fonctionnement. Durant le fonctionnement de l'appareil, seuls les données et symboles correspondants à l'état actuel apparaîtront sur l'affichage du panneau de contrôle. Le chauffe-eau est en état de fonctionnement lorsque la température de l'eau chaude est affichée.

Diagramme du panneau de contrôle







► AFFICHAGE DU PANNEAU DE CONTRÔLE

Écran LED affiche les informations suivantes :

- ✓ La température définie et la température réelle.
- ✓ L'état de fonctionnement de l'unité. L'unité fonctionne normalement si les symboles de flamme, ventilateur et débit d'eau sont allumés.
- ✓ Le symbole Eco s'affiche lorsqu'on appuie sur le bouton Mode pendant 3 secondes.
- ✓ Les données de sélection de température prédéfinies High, Comf, Low, s'affichent en appuyant sur le bouton Mode.

Boutons

Marche/Arrêt 	Appuyer pour mettre en marche ou éteindre l'appareil.
Haut 	Appuyer pour augmenter la température par incrément de 1 degré.
Bas 	Appuyer pour diminuer la température par incrément de 1 degré.
<p>Note : Pour alterner entre les unités métriques et anglaises (° C / ° F), appuyez et maintenez enfoncées les touches « Augmenter » et « Diminuer » en même temps pendant trois secondes.</p>	
Mode 	<p>Sélectionner parmi les modes suivants:</p> <p>High : température prédéfinie à 122° F (50° C)</p> <p>Comf : température prédéfinie à 113° F (45° C)</p> <p>Low : température prédéfinie à 99° F (37° C)</p> <p>ECO: Appuyer et maintenir enfoncé le bouton Mode pendant 3 secondes pour activer le mode d'économie d'énergie. La puissance maximale du chauffe-eau sera limitée à 75% de sa capacité de chauffage maximale.</p>

► CONTRÔLE DE LA TEMPÉRATURE

Réglez à la température désirée

- ① La plage de réglage de la température est 35°C–60°C (95°F–140°F).
- ② Appuyez sur le bouton « **Marche/Arrêt** ». L'écran LED s'allume et affiche la température réelle. La température initialisée par défaut à l'usine est 42°C (108°F).
- ③ Appuyez sur le bouton « **Haut** » ou « **Bas** » pour régler à la température désirée entre 35°C (95°F) et 60°C (140°F). Le point de consigne de la température augmente ou diminue d'un degré à chaque enfoncement du bouton « **Haut** » ou « **Bas** ».
- ④ Appuyez sur le bouton « **Mode** » pour sélectionner l'une des températures prédéfinies pour obtenir un réglage rapide de la température.

- ⑤ Une fois la température réglée, ouvrez la valve d'eau et observez le comportement de l'appareil. Les symboles de flamme, ventilateur et pommeau de douche devraient s'afficher pour indiquer que la flamme est allumée et que l'unité fonctionne normalement.

PRÉVENTION DE BRÛLURES

DANGER

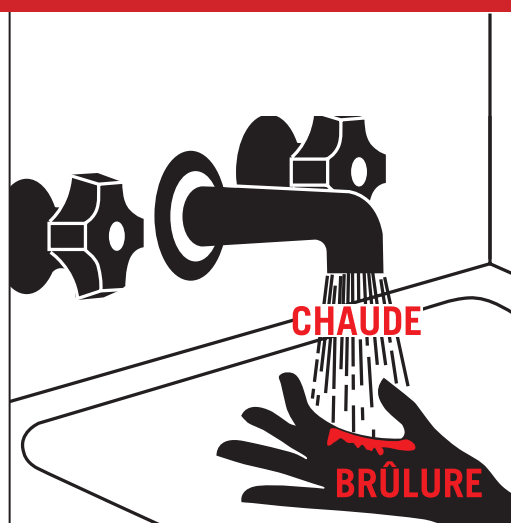
La température de l'eau au-dessus de 125° F (52° C) peut causer des brûlures graves instantanément ou la mort par ébouillantage.

Les enfants, les personnes handicapés et les personnes âgées présentent un risque plus élevé d'ébouillantage.

Toujours tester la température de l'eau en touchant avec sa main avant d'entrer dans une douche, un bain, etc.

Respectez tous les codes concernant le point de consigne de la température.

Contactez un plombier agréé ou les autorités compétentes de plomberie locales pour obtenir des conseils ou des informations supplémentaires.



ARRÊT PROLONGÉ

► PROCÉDURE D'INTERRUPTION PROLONGÉE

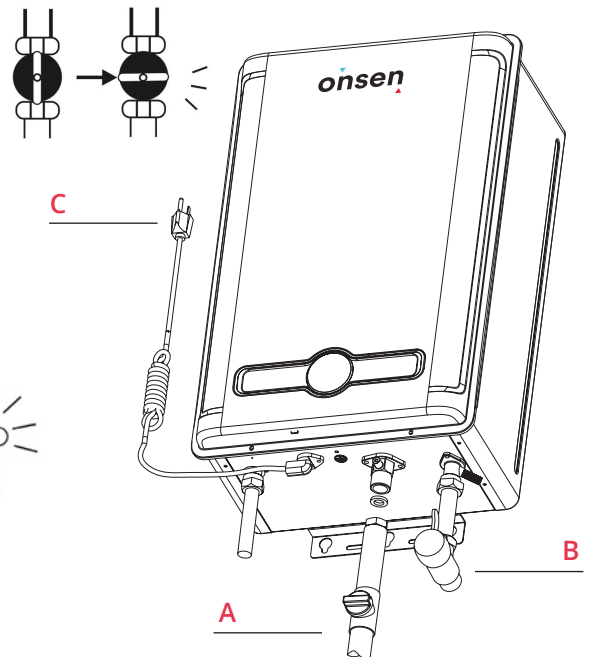
Si l'appareil est mis hors service pendant une période prolongée, utilisez la procédure suivante pour protéger l'appareil :

- ✓ L'air froid peut pénétrer dans l'appareil par le conduit d'admission d'air ou par le conduit d'échappement du gaz. Assurez-vous de prendre des précautions lors des arrêts prolongés même si l'unité est installé à l'intérieur et dans un endroit où il n'est pas exposé à des températures de gel.
- ✓ Des températures inférieures ou égales à 0° C (32° F) peuvent causer des dommages irréversibles à l'appareil et / ou au système de tuyauterie.
- ✓ Après un arrêt prolongé (semaines/mois), les paramètres de l'appareil sont réinitialisés à leurs valeurs initiales d'usine. Pour les arrêts de courte durée (pannes de courant ou si l'unité est débranchée), l'appareil conservera les derniers paramètres sélectionnés avant la panne lorsque l'alimentation sera rétablie.



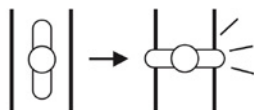
Le chauffe-eau et l'eau à l'intérieur de l'appareil peuvent être très chauds. Attendre que l'appareil se refroidisse et soyez prudent lors du drainage afin de minimiser les risques de blessures.

- ① Éteindre le chauffe-eau en appuyant sur le bouton « ON/OFF ».
- ② Fermer la valve de gaz (A).
- ③ Débranchez le cordon d'alimentation (C). Assurez-vous d'avoir les mains sèches avant de saisir la tête de la fiche. Tirez pour débrancher de la prise de courant.



NOTE : Les paramètres de l'appareil seront réinitialisés lors de la prochaine mise sous tension de l'appareil.

- ④ Fermer la valve d'arrivée d'eau (B).
- ⑤ Ouvrez tous les robinets d'eau chaude.
- ⑥ Procurez-vous un récipient approprié pour recueillir l'eau résiduelle du système.



Évitez que de l'eau ne se déverse sur le sol pour éviter les dommages. Évitez tout contact de l'eau avec une source électrique à proximité.

- ⑦ Ouvrir les bouchons de drainage et drainer complètement le chauffe-eau. Il est recommandé de souffler de l'air comprimé dans le raccord d'entrée d'eau pour que l'eau résiduelle s'écoule par la sortie d'eau.

NOTE : Des températures de gel inférieures à 0° C (32° F) peuvent causer des dommages permanents à l'appareil et/ou au système de tuyauterie.

LES BRIS CAUSÉS PAR LE GEL NE SONT PAS COUVERT PAR LA GARANTIE DU MANUFACTURIER

- ⑧ Réinstallez les bouchons de drainage et fermez les robinets d'eau chaude.
- ⑨ Pour remettre l'appareil en service, veuillez-vous référer à la section « Mise en marche et essais » du manuel d'instructions.

AVERTISSEMENTS EN CLIMAT FROID

▶ RISQUES DE DOMMAGES DUS AU GEL ET MESURES DE PRÉCAUTIONS

- ✓ Les températures causant le gel peuvent endommager le chauffe-eau et / ou la tuyauterie d'eau. L'eau gelée prend de l'expansion rapidement et peut créer d'énormes forces mécaniques. Des dommages mécaniques et des ruptures de la tuyauterie peuvent être le résultat d'une exposition brève à des températures de gel.
- ✓ En cas de températures froides, assurez-vous que le chauffe-eau et ses conduites d'eau sont protégés pour éviter le gel. Les dommages dus au gel ne sont pas couverts par la garantie.
- ✓ Veuillez consulter la section **AVERTISSEMENT : RISQUES DE DOMMAGES CAUSÉS PAR LE GEL** au début de ce manuel pour plus de détails et recommandations concernant la prévention en climat froid.
- ✓ Pour prévenir les risques de bris causés par le gel lorsque l'appareil est mis hors service pendant une période prolongée, suivez les indications de la section « Procédure d'interruption prolongée » de ce manuel.

▶ SYSTÈME DE PROTECTION CONTRE LE GEL

- ✓ Le chauffe-eau sans réservoir Onsen 26L est équipé d'un système de protection contre le gel qui consiste en des rubans chauffants situés à plusieurs endroits de la tuyauterie interne de l'appareil. Ceux-ci s'activent automatiquement lorsque la température de l'eau dans l'échangeur de chaleur baisse et atteint 2°C (36°F) et se désactivent lorsque la température de l'eau dans l'échangeur de chaleur augmente et atteint 15°C (59°F).
- ✓ Le système de protection contre le gel est conçu pour protéger la tuyauterie interne du chauffe-eau et non pour protéger la tuyauterie externe et les valves. Pour protéger la tuyauterie externe, il est recommandé de recouvrir les conduites d'eau chaude et froide de matériau isolant de plomberie.
- ✓ Bien que le système de protection contre le gel puisse contribuer à protéger contre les températures en climat froid, il ne peut, en aucun cas, garantir une protection assurée contre les dommages causés par le gel. **NE COMPTEZ PAS** strictement sur la fonction de protection contre le gel pour protéger l'appareil. Prenez toutes les précautions nécessaires pour éviter les dommages causés par le froid.
- ✓ Veuillez consulter la section **AVERTISSEMENT : RISQUES DE DOMMAGES CAUSÉS PAR LE GEL** au début de ce manuel pour plus de détails et recommandations concernant la prévention en climat froid.
- ✓ L'appareil doit être **SOUS TENSION** pour que le système de protection contre le gel soit actif.



Pour éviter tout dommage, ne forcez **JAMAIS** un appareil de chauffage à fonctionner à l'état gelé. **NE JAMAIS** contourner les procédures de sécurité.

► GARANTIE

Les dommages causés par le gel ne sont **PAS** couverts par la garantie.

ENTRETIEN ET INSPECTION

► INSPECTION DE ROUTINE



La tuyauterie de chauffage et d'échappement sera chaude pendant et peu de temps après son utilisation.
Soyez prudent lorsque vous travaillez à l'endroit et autour de l'appareil.

Pour assurer un fonctionnement optimal de l'appareil, veuillez vous référer à la liste de contrôle d'inspection et de maintenance suivante. Il est recommandé de faire inspecter périodiquement (une fois par année) l'appareil par un technicien qualifié. De plus, toute réparation qui s'avérerait nécessaire doit être effectuée par un technicien qualifié et celui-ci doit utiliser uniquement des composantes certifiées et autorisées par le fabricant.

► LISTE DE CONTRÔLE D'INSPECTION DE ROUTINE

- Matière inflammable à proximité de l'appareil ou de la tuyauterie d'échappement ?
- Bruit inhabituel provenant de l'appareil lorsqu'il est en fonction ?
- Les entrées d'air et les gaz d'échappement sont-ils exempts de tout obstacle ou débris ?
- Signes de fuite d'eau près de l'appareil ou des tuyaux ?
- Apparence physique anormale au niveau du boîtier de l'unité ?

► LISTE DE CONTRÔLE DE MAINTENANCE

- Nettoyer l'extérieur de l'unité et du panneau de commande.
 - ✓ Utilisez un linge humide pour enlever toute saleté de surface. Utilisez un linge sec pour l'essuyer à sec.
 - ✓ Un détergent très doux peut être utilisé si l'appareil est très sale.
 - ✓ N'utilisez jamais de nettoyeurs.
- Vérifiez et éliminez l'admission d'air de tout débris pouvant bloquer la circulation d'air.
- Nettoyer le filtre de l'entrée d'eau.

- Examiner le système de ventilation.
- Nettoyez l'intérieur de l'appareil en aspirant ou en éliminant la poussière accumulée dans l'appareil.
N'OUVREZ PAS LE BRÛLEUR, CE NETTOYAGE NE DOIT ÊTRE EFFECTUÉ QUE PAR DU PERSONNEL QUALIFIÉ.
- Inspection visuelle de flamme.
- Nettoyage du calcaire (si nécessaire).

► PROCÉDURES DE MAINTENANCE

Inspection de brûleur et nettoyage

- ① La flamme provenant du brûleur doit brûler uniformément sur toute la surface de la tête du brûleur lors du fonctionnement.
- ② La flamme doit brûler claire, de couleur bleue et doit demeurer stable.
- ③ La présence d'une flamme jaune ou de dépôts noircis sur la tête du brûleur indique qu'il nécessite un nettoyage et / ou le remplacement de celui-ci.

Maintenance du ventilateur

- ① Le moteur du ventilateur est lubrifié en permanence et ne nécessite pas de lubrification périodique.
- ② Si le moteur tombe en panne, il doit être remplacé uniquement par un technicien qualifié.

Purger la soupape de sûreté

Si une soupape de sûreté se décharge périodiquement, cela peut être dû à l'expansion thermique survenant d'un système d'alimentation en eau à circuit fermé. Contactez le fournisseur en eau ou un plombier pour connaître le meilleur moyen pour résoudre ce problème. Ne bloquez jamais la soupape de sûreté.

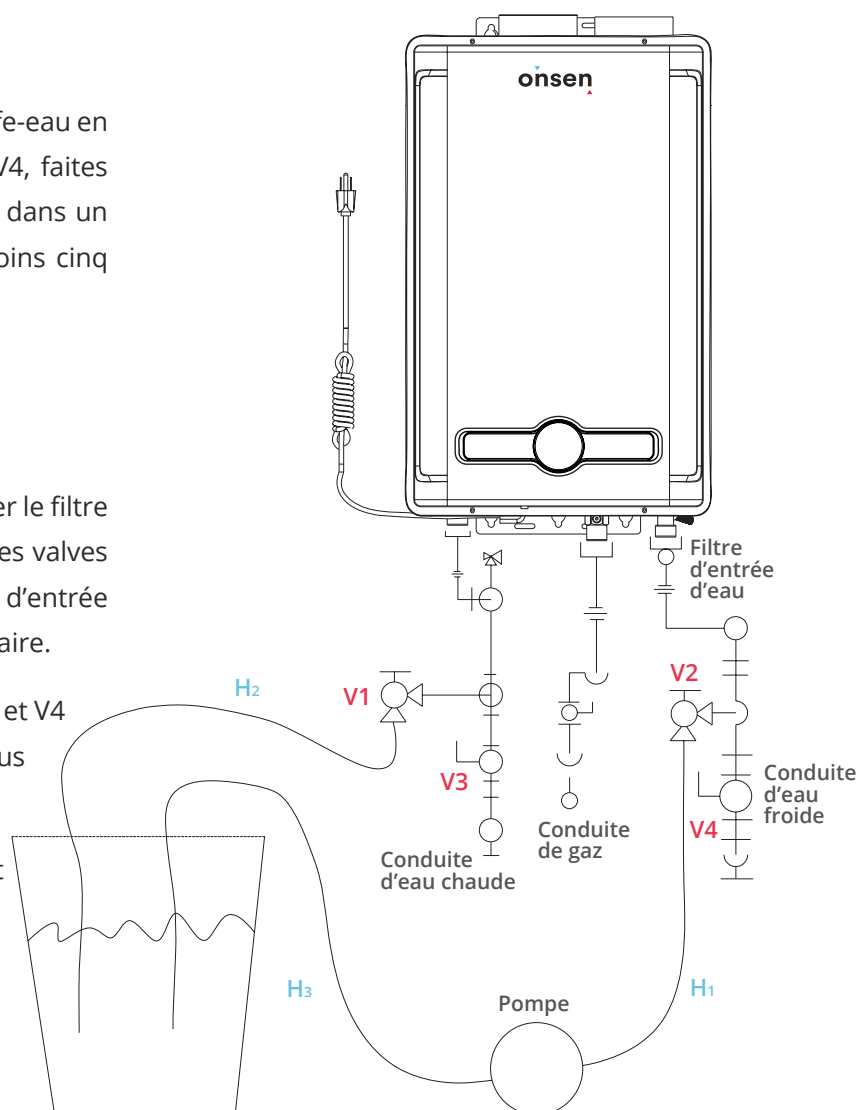
Procédure de nettoyage pour le calcaire

Matériel nécessaire :

- ✓ Récipient de cinq gallons (19 litres).
- ✓ Quatre gallons (15 litres) de vinaigre blanc de catégorie consommation alimentaire.
- ✓ Pompe de recirculation étant capable de fournir 2 - 4 gpm (8 - 16 l/m).
- ✓ Ensemble de boyaux permettant de connecter la pompe du récipient aux valves d'eau de service du système.

Référez-vous au schéma pour compléter cette procédure :

- ① Débranchez l'alimentation électrique du chauffe-eau.
- ② Fermer les valves d'arrêt V3 et V4 des canalisations d'eau chaude et d'eau froide.
- ③ Raccordez un boyau H1 de la sortie de la pompe à la conduite d'eau froide V2 du chauffe-eau.
- ④ Raccordez le boyau de drainage H2 de la conduite de sortie d'eau chaude V1 et acheminez-le dans un récipient de recirculation de cinq gallons.
- ⑤ Verser environ quatre (4) gallons (15 litres) de vinaigre blanc de qualité alimentaire dans le récipient.
- ⑥ Placez le boyau d'aspiration de la pompe H3 dans la solution de nettoyage.
- ⑦ Ouvrir les valves de service V1 et V2.
- ⑧ Mettre la pompe en marche pour faire circuler la solution de nettoyage dans le chauffe-eau pendant au moins 45 minutes.
- ⑨ Éteignez la pompe.
- ⑩ Rincez la solution de nettoyage du chauffe-eau en fermant la valve V2 et ouvrez la valve V4, faites circuler l'eau à travers le chauffe-eau et dans un récipient ou vidangez-la pendant au moins cinq minutes.
- ⑪ Fermez la valve V1 et ouvrez la valve V3.
- ⑫ Débranchez tous les boyaux.
- ⑬ Il est également recommandé de nettoyer le filtre d'entrée d'eau à cette étape-ci. Fermez les valves V3 et V4 pour le faire. Nettoyez le filtre d'entrée d'eau et retirez tous les débris, si nécessaire.
- ⑭ Remplacer le filtre et ouvrir les valves V3 et V4 une fois de plus. Vérifiez et assurez-vous qu'il n'y a pas de fuites d'eau.
- ⑮ Remettez l'appareil en marche en suivant les instructions de démarrage.



Avvertissements de maintenance électrique



Étiquetez tous les fils avant la déconnexion de ceux-ci. Des erreurs de câblage peuvent entraîner un mal fonctionnement de l'appareil ou une situation dangereuse. Toujours vérifier le bon fonctionnement de l'appareil suivant l'entretien.

DÉPANNAGE

En cas de difficultés d'utilisation de votre appareil, veuillez consulter le tableau suivant. Pour de l'aide supplémentaire, veuillez contacter ONSÉN en écrivant à support@onsenproduits.ca ou en appelant le 800-996-5559. Veuillez avoir à portée de la main ou fournir les informations sur votre produit, y compris le numéro de série, la preuve d'achat et le code d'erreur s'il est affiché sur le panneau de contrôle.

NOTE : Vérifiez le code d'erreur affiché à l'écran de l'appareil et suivez les recommandations énumérées dans la section « Codes d'erreur » de ce manuel.

PROBLÈME	CAUSE POSSIBLE	SOLUTION
Pas d'alimentation : le témoin d'alimentation n'est pas allumé.	Panne de courant.	L'unité nécessite une alimentation de 120V. Utilisez l'unité lorsque le courant est rétabli. Vérifier le disjoncteur et réinitialiser si nécessaire. Vérifier le disjoncteur de fuite à la terre (GFCI) si inclut et réinitialiser si nécessaire.
	L'unité est débranchée.	Vérifiez la fiche d'alimentation et assurez-vous qu'elle est branchée correctement.
« Fumée » provenant du système d'échappement lors de températures froides.	Vapeur d'eau produite pendant la combustion est condensée dans l'échappement lorsque le gaz chaud est refroidi par l'air extérieur.	Aucune. Fonctionnement normal.
Il n'y a pas d'écoulement d'eau chaude en ouvrant un robinet d'eau chaude.	Source de gaz épuisée ou valve de gaz fermée.	La valve de gaz doit être ouverte. Remplir le réservoir de gaz (le cas échéant).
	Panne de courant.	L'unité nécessite une alimentation de 120V pour fonctionner.
	Le débit est trop faible ou est devenu trop bas. (moins que 0.66 gallons per minute (gpm) / 2.5 liters per minute (l/m).	Le débit est inférieur à la limite nécessaire pour l'allumage de la flamme et pour le fonctionnement de l'appareil. Augmenter le débit d'eau chaude pour activer le système.
	Compteur de gaz spécial avec restrictions de contrôle.	Certaines valves de gaz peuvent être soumises à des restrictions spéciales au niveau l'admission du gaz. Consultez votre fournisseur de gaz et / ou un professionnel certifié en gaz.
	Grande distance de tuyauterie entre l'appareil et la sortie d'eau.	Laisser le temps à l'eau chaude de traverser le système pour atteindre la sortie d'eau.

PROBLÈME	CAUSE POSSIBLE	SOLUTION
L'appareil ne fournit pas la température d'eau chaude désirée (trop chaude ou trop froide).	Le point de consigne de la température a été réinitialisé en raison d'une panne de courant.	Une panne de courant cause une réinitialisation des valeurs initiales d'usine. Les paramètres (ex : la température d'eau désirée) doivent donc être configurés à nouveau.
	Le débit d'eau est au-delà de la capacité de chauffage de l'appareil.	Réduire le débit d'eau pour rétablir le contrôle de la température.
	L'eau entrante est trop chaude.	Si l'eau entrant dans l'unité est déjà très chaude et que le débit d'eau est légèrement au-dessus des exigences minimales (0,67 GPM / 2,5 LPM), la chaleur générée par le brûleur peut faire augmenter la température de l'eau à un niveau plus élevée que le point consigne configuré. Augmentez le débit d'eau chaude afin que l'appareil puisse contrôler la température selon le point de consigne configuré.
Le débit d'eau chaude produit est plus faible que prévu.	Il y a restriction au niveau de la source d'eau.	Vérifier et ouvrir complètement les valves d'entrée d'eau. Vérifier et nettoyer le filtre de l'entrée d'eau.
	L'échangeur de chaleur de l'appareil est entartré causant un blocage partiel de circulation d'eau.	Nettoyer l'échangeur de chaleur en le nettoyant conformément à la procédure de maintenance/détartrage.
	Température de l'eau entrante est plus froide que prévu.	Une arrivée d'eau plus froide que la normale réduira la quantité d'eau chaude pouvant être produite. Bien que la chaleur produite par l'unité soit à pleine capacité, vous devez réduire le débit d'eau et opérer à l'intérieur de la plage de capacité de l'appareil.
Problème du système d'évacuation.	Le système de ventilation est restreint ou bloqué.	Vérifiez les entrées d'air et les conduits d'échappement pour vous assurer qu'ils ne sont pas endommagés, corrodés, bloqués, etc.
Fuite d'eau à la sortie de la soupape de sûreté.	Le système d'eau fonctionne au-dessus de la pression nominale.	Consultez un professionnel pour la vérification du système d'eau.
	La soupape de sûreté est endommagée.	Remplacez la soupape de sûreté. Consulter un professionnel au besoin.
Le ventilateur de l'appareil fonctionne pendant un certain temps après l'arrêt du fonctionnement.	Le ventilateur est conçu pour fonctionner pendant 30 secondes après l'arrêt du brûleur de l'appareil.	Aucun. Fonctionnement normal.

CODES DE DIAGNOSTIC

Chaque fois qu'une panne se produit, une alerte retentit et un code de diagnostic s'affiche pour indiquer le mode de panne au moment de l'événement.

Le tableau suivant comprend une liste de codes de diagnostic pouvant être affichés, ainsi que les solutions recommandées pour résoudre le problème.

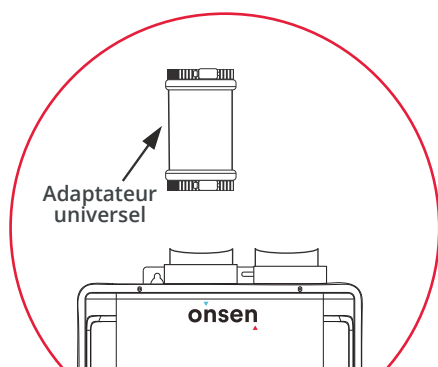
CODE	CAUSE POSSIBLE	SOLUTION
H0	<p>Arrêt automatique sur minuterie. L'unité fonctionne en continu depuis 40 minutes, ce qui a déclenché un arrêt automatique.</p>	<ol style="list-style-type: none"> 1. Fonction normale. L'unité est conçue pour une utilisation intermittente uniquement. Pour redémarrer l'unité, fermez et ouvrez le robinet / sortie d'eau. 2. Les applications de fonctionnement continu telles que les systèmes en circuit fermé / recirculation d'eau (ex : chauffage hydronique) ne sont pas recommandées et déclencheront un arrêt automatique.
E0	<p>Problème au niveau du capteur de température de sortie d'eau.</p> <ol style="list-style-type: none"> 1. La fiche du capteur n'est pas connectée correctement ou déconnectée de la carte mère. 2. Le capteur est devenu défectueux (un court-circuit, un circuit ouvert ou un contact accidentel avec le boîtier s'est produit). 3. Le circuit au niveau de la carte mère est défectueux. 4. Le capteur est entartré. 	<ol style="list-style-type: none"> 1. Reconnectez câblage (CN2) à la carte d'alimentation. 2. Remplacez le capteur de température. 3. Remplacez la carte mère. 4. Nettoyez le capteur.
E1	<p>Problème au niveau de l'allumage (généralement causée par un approvisionnement insuffisant en gaz ou une conduite de gaz mal connectée).</p> <ol style="list-style-type: none"> 1. Source de gaz épuisée ou valve de gaz fermée. 2. Conduite de gaz non connectée au chauffe-eau ou au blocage au niveau de la conduite de gaz. 3. Chauffe-eau connecté au mauvais type de gaz. 4. La pression du gaz est trop faible ou trop élevée. 5. Les circuits de détection de l'allumage et de la détection des flammes se sont desserrés ou n'ont pas réussi à se connecter. 6. Le capteur de flamme est sale ou défectueux. 	<ol style="list-style-type: none"> 1. Vérifiez l'approvisionnement en gaz. 2. Vérifiez que la conduite de gaz est connectée et assurez-vous qu'il n'y a pas de blocages dans celle-ci. 3. Assurez-vous du bon type de gaz (propane ou gaz naturel). 4. Assurez-vous que la pression de gaz est adéquate. 5. Connectez correctement le circuit approprié. Remplacez tous les éléments de circuit défectueux. 6. Inspectez le capteur de flamme et nettoyez ou remplacez, si nécessaire.

CODE	CAUSE POSSIBLE	SOLUTION
E2	<p>Erreur de détection de flamme (généralement causée par un approvisionnement insuffisant en gaz ou une conduite de gaz mal connectée).</p> <ol style="list-style-type: none"> 1. Source de gaz épuisée ou valve de gaz fermée. 2. Conduite de gaz non connectée au chauffe-eau ou au blocage au niveau de la conduite de gaz. 3. Chauffe-eau connecté au mauvais type de gaz. 4. La pression du gaz est trop faible ou trop élevée. 5. Les circuits de détection de l'allumage et de la détection des flammes se sont desserrés ou n'ont pas réussi à se connecter. 6. Le capteur de flamme est sale ou défectueux. 	<ol style="list-style-type: none"> 1. Vérifiez l'approvisionnement en gaz. 2. Vérifiez que la conduite de gaz est connectée et assurez-vous qu'il n'y a pas de blocages dans celle-ci. 3. Assurez-vous du bon type de gaz (propane ou gaz naturel). 4. Assurez-vous que la pression de gaz appliquée est adéquate. Consultez la section « Conduite de gaz » pour vérifier le dimensionnement des conduites ainsi que la charge totale supportée. 5. Connectez correctement le circuit approprié. Remplacez tous les éléments de circuit défectueux. 6. Inspectez le capteur de flamme et nettoyez ou remplacez, si nécessaire.
E3	<p>Arrêt automatique à haute température.</p> <p>Température de l'eau supérieure à 185° F (85° C) pendant dix (10) secondes. Le contrôleur a automatiquement fermé la valve électromagnétique et l'unité est arrêtée.</p>	<p>Précaution de sécurité pour protéger contre un événement rare dans lequel le débit d'eau est considérablement réduit, produisant une petite quantité d'eau très chaude.</p>
E4	<p>Problème au niveau du capteur de température d'entrée d'eau.</p> <ol style="list-style-type: none"> 1. La fiche du capteur n'est pas connectée correctement ou déconnectée de la carte mère. 2. Le capteur est devenu défectueux (un court-circuit, un circuit ouvert ou un contact accidentel avec le boîtier s'est produit). 3. Le circuit au niveau de la carte mère est défectueux. 4. Le capteur est entartré. 	<ol style="list-style-type: none"> 1. Reconnectez câblage (CN2) à la carte d'alimentation. 2. Remplacez le capteur de température. 3. Remplacez la carte mère. 4. Nettoyez le capteur.
E5	<p>Problème au niveau du ventilateur.</p> <ol style="list-style-type: none"> 1. Le ventilateur de l'appareil est bloqué ou a cessé de fonctionner causé par un ou des débris. 2. Le ventilateur de l'appareil est affecté par un bris mécanique. 3. Le module de contrôle de l'alimentation du ventilateur est en panne. 4. Le câblage du ventilateur s'est déconnecté. 	<ol style="list-style-type: none"> 1. Vérifiez si le ventilateur tourne librement. Retirez tout débris bloquant le ventilateur. 2. Remplacez le ventilateur. 3. Remplacez le module de contrôle. 4. Reconnectez câblage du ventilateur à la carte d'alimentation.
E6	<p>Surchauffe détectée au niveau de l'alimentation en eau.</p> <ol style="list-style-type: none"> 1. Température de l'eau entrante de 167°F (75 °C) ou plus. 2. Température de l'eau de sortie de 185°F (85 °C) ou plus détectée. 	<p>Assurez-vous que la température entrante n'atteint pas 167 °F (75 °C) ou plus.</p>
E7	<p>Erreur au niveau de l'électrovanne ou solénoïde.</p> <ol style="list-style-type: none"> 1. La fiche du capteur n'est pas connectée correctement ou déconnectée de la carte mère. 2. L'électrovanne est défectueuse. 3. Le contrôleur a échoué. 	<ol style="list-style-type: none"> 1. Reconnectez câblage (CN12) à la carte d'alimentation. 2. Remplacez l'électrovanne. 3. Réparez ou remplacez la carte mère.

CODE	CAUSE POSSIBLE	SOLUTION
E8	<p>Le conduit d'évacuation de gaz/conduit d'admission d'air est bloqué ou le ventilateur est coincé.</p> <ol style="list-style-type: none"> 1. Le conduit d'évacuation de gaz ou conduit d'admission d'air est bloqué par un ou des débris. 2. L'adaptateur universel avec dispositif anti-refoulement du système d'évacuation de gaz est installé en sens inverse, empêchant le dispositif anti-refoulement de s'ouvrir et provoquant un blocage. 3. Le ventilateur de l'appareil est bloqué ou a cessé de fonctionner causé par un ou des débris. 4. Le ventilateur de l'appareil est affecté par un bris mécanique. 5. Le module de contrôle de l'alimentation du ventilateur est en panne. 6. Le câblage du ventilateur s'est déconnecté. 	<ol style="list-style-type: none"> 1. Retirez tout débris bloquant le conduit d'évacuation de gaz ou conduit d'admission d'air. 2. Installez l'adaptateur universel avec dispositif anti-refoulement dans la bonne orientation. 3. Retirez tout débris bloquant le ventilateur. 4. Remplacez le ventilateur. 5. Remplacez le module de contrôle. 6. Reconnectez câblage du ventilateur à la carte d'alimentation.
E9	<p>Erreur au niveau du brûleur.</p> <p>La flamme ne brûle pas correctement avec une flamme bleue et stable.</p>	<ol style="list-style-type: none"> 1. Appuyez sur le bouton ON/OFF pour éteindre et réinitialiser l'unité. Attendez 10 secondes et appuyez à nouveau sur le bouton ON/OFF pour refaire la mise en état de l'appareil. 2. Nettoyez le brûleur pour éliminer les dépôts de débris ou de suie.

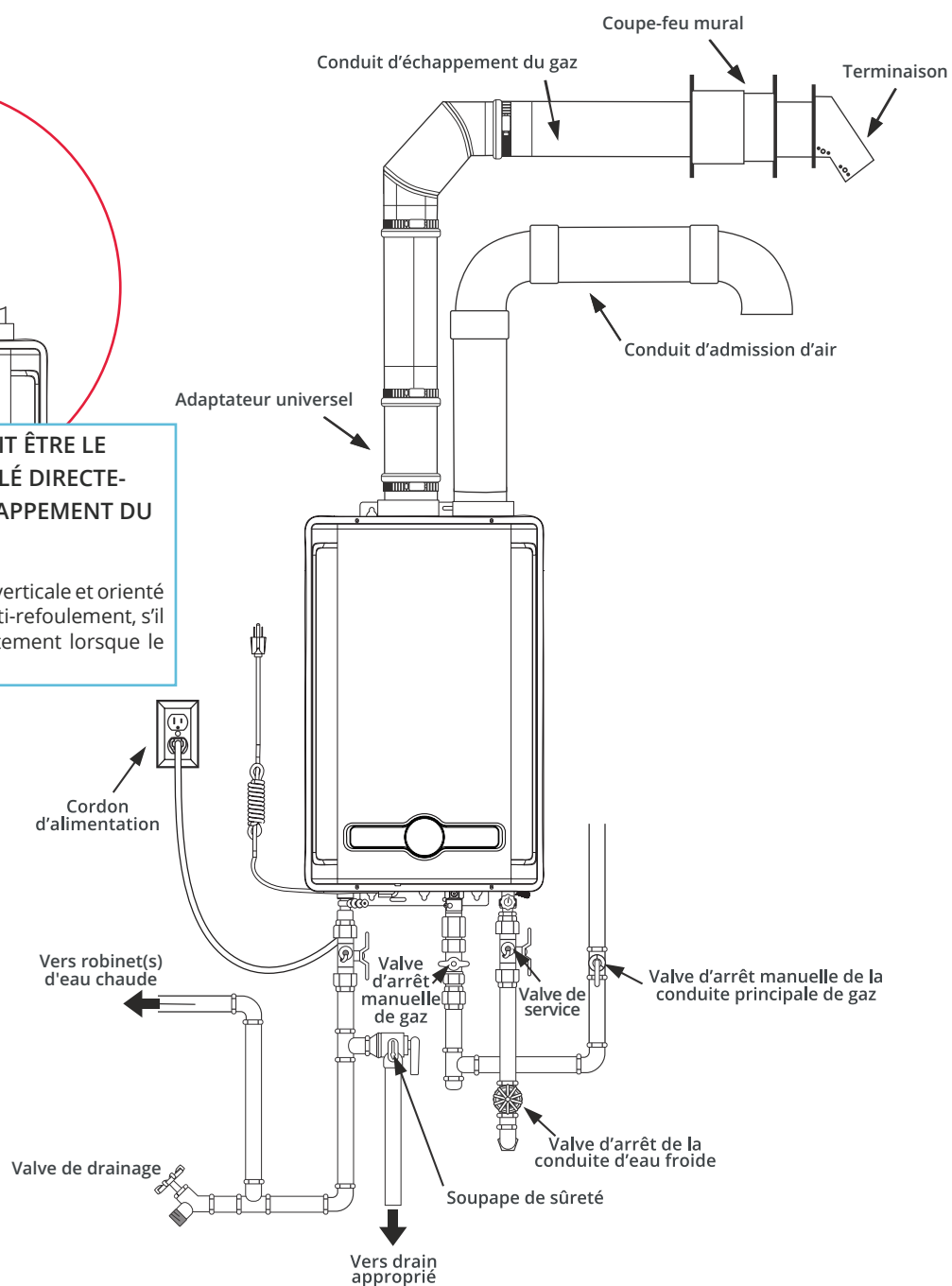
INSTALLATION

INSTALLATION TYPIQUE (CONFIGURATION DE VENTILATION MURALE)



L'ADAPTATEUR UNIVERSEL DOIT ÊTRE LE PREMIER COMPOSANT INSTALLÉ DIRECTEMENT SUR LE CONDUIT D'ÉCHAPPEMENT DU CHAUFFE-EAU *

* L'adaptateur doit être installé à la verticale et orienté de manière à ce que le dispositif anti-refoulement, s'il est présent, puisse s'ouvrir correctement lorsque le chauffe-eau est en fonction.



NOTE : Les exigences des codes locaux ou autorités de plomberie peuvent différer des instructions ou des diagrammes fournis et ont préséance sur ceux-ci.

DIRECTIVES D'INSTALLATION

- ✓ Seul un installateur qualifié doit installer cet équipement. Une installation effectuée par un installateur non qualifié pourrait annuler la garantie. Le non-respect des codes et réglementations nationales et locales relatives à l'installation de cet appareil pourrait également annuler la garantie.
- ✓ Cet appareil ne doit PAS être installé à l'extérieur.
- ✓ L'appareil et son raccordement au gaz doivent faire l'objet d'un test d'étanchéité avant de mettre l'appareil en service. Un installateur qualifié ou un technicien d'entretien doit inspecter et effectuer un test d'étanchéité de gaz avant toute utilisation.
- ✓ L'installation doit être conforme aux codes locaux. En l'absence de codes locaux, le National Fuel Gas code, ANSI Z223.1 / NFPA 54, ou le code d'installation de gaz naturel et propane, CSA B149.1, doivent prévaloir. Si installé dans une maison préfabriquée, l'installation doit être confirmée auprès de la Manufactured Home Construction and Safety Standard, titre 24 CFR, partie 3280 ou de la norme canadienne CSA Z240 Série MH.
- ✓ L'appareil doit être mis à la terre conformément aux codes locaux. En cas où il n'y a pas de codes locaux, le code national de l'électricité, ANSI / NFPA 70, ou le code canadien de l'électricité CSA C22.1 prévaudra.
- ✓ La pression de gaz doit se situer entre 3.5" W.C. (870 Pa) et 10.5" W.C. (2610 Pa) pour le gaz naturel et entre 8.0" W.C. (1990 Pa) et 13.0" W.C. (3230 Pa) pour le gaz propane. La pression de gaz ne doit pas dépasser ces limites.
- ✓ L'appareil et sa valve manuelle de gaz doivent être débranchés du système de tuyauterie d'alimentation en gaz lors de tout test de pression de ce système à des pressions d'essai supérieures à ½ psi (3.5 kPa).
- ✓ L'appareil doit être isolé du système de tuyauterie d'alimentation en gaz en fermant la valve manuelle de gaz lors de tout test de pression du système de tuyauterie d'alimentation en gaz à des pressions de test égales ou inférieures à ½ psi (3.5 kPa).
- ✓ L'appareil doit être situé dans une zone où une fuite du réservoir ou des raccords ne causera pas de dommages à la zone adjacente à l'appareil ou aux étages inférieurs de la structure. Lorsque de tels emplacements ne peuvent pas être évités, il est recommandé d'installer un bac de récupération approprié sous l'appareil. Le bac ne doit pas limiter le débit d'air de combustion.
- ✓ Ne pas obstruer l'admission d'air de combustion ou l'échappement du chauffage et s'assurer que la prise d'air n'est pas proche d'un endroit qui permettra à des vapeurs chimiques de pénétrer dans le système d'air de combustion.
- ✓ Ne pas utiliser pour chauffer des piscines ou des spas qui utilisent de l'eau traitée chimiquement.
- ✓ Si un chauffe-eau est installé dans un système d'alimentation à circuit fermé, tel qu'un système muni d'un dispositif anti-refoulement dans la conduite d'alimentation en eau froide, des mesures doivent être prévus pour contrôler l'expansion thermique. Contactez le fournisseur d'approvisionnement en eau ou l'inspecteur de plomberie municipale pour connaître les solutions disponibles.

INCLUS DANS LA BOÎTE

Les composantes et accessoires suivants sont inclus dans l'emballage.

ARTICLE	QUANTITÉ
Chauffe-eau	1
Manuel d'instructions	1
Soupape de sûreté (Canada seulement)	1

EXIGENCES DE LOCALISATION ET DE DÉGAGEMENT

▶ EMPLACEMENT DU PRODUIT

Choisissez un emplacement pour l'installation de l'appareil en tenant compte des directives suivantes :

- ✓ L'appareil doit être installé à l'intérieur.
- ✓ L'installation n'est pas recommandée dans les salles de bains, les chambres à coucher ou les pièces occupées qui sont normalement maintenues fermées.
- ✓ L'appareil doit avoir les dégagements appropriés indiqués ci-dessous, y compris un dégagement suffisant permettant l'accès de service de l'unité.
- ✓ Il est recommandé d'installer l'appareil à une hauteur permettant une visualisation et une utilisation aisée du panneau de contrôle.
- ✓ L'appareil nécessite une prise de courant standard à trois broches, 120 V/60 Hz mise à la terre localisée près de l'emplacement d'installation.
- ✓ L'appareil nécessite une conduite de gaz de ¾ po (20mm).
- ✓ Les exigences en matière de ventilation doivent être prises en compte lors du choix de l'emplacement d'installation. Il est fortement conseillé d'installer une courte longueur de tuyauterie de ventilation pour réduire les coûts d'installation et maximiser l'efficacité de chauffage.

▶ EXIGENCES DE DÉGAGEMENT ENTRE L'APPAREIL ET LES MATIÈRES COMBUSTIBLES

COMPOSITION DU MATÉRIAU ADJACENT				
	Incombustible		Combustible	
Côtés	4 pouces	100 mm	6 pouces	150 mm
Haut	10 pouces	250 mm	12 pouces	300 mm
Sol	12 pouces	300 mm	12 pouces	300 mm
À l'avant	24 pouces	600 mm	24 pouces	600 mm
Mur arrière	zéro	zéro	1 pouce	25 mm *

*Un panneau isolant ignifuge conforme aux normes CAN/ULC S102 / NFPA 286 est requis

MONTAGE DE L'APPAREIL SUR UN MUR



L'appareil **DOIT** être installé à la verticale avec l'entrée de gaz au bas et le conduit de ventilation installé en haut de l'unité. Une installation à toute autre orientation entraînera des dommages et annulera la garantie.

- ① Choisissez un emplacement approprié pour fixer l'appareil selon les directives « **Exigences de localisation et de dégagement** ».
- ② Si le mur sur lequel l'appareil sera fixé n'est pas résistant au feu, celui-ci doit être recouvert d'un panneau ignifuge. Les rebords du panneau ignifuge doivent dépasser les rebords de l'appareil de 100 mm.
- ③ Assurez-vous d'installer l'appareil de manière adéquate afin de supporter le poids de celui-ci lorsqu'il est en opération.
- ④ Avant l'installation, positionnez le chauffe-eau en place pour déterminer la hauteur d'installation. Le chauffe-eau doit être installé de manière à ce que l'écran LED soit au niveau de la hauteur visuelle (environ 5 pi. / 1.5 m du sol).
- ⑤ Après avoir déterminé la hauteur d'installation, marquez les trous en fonction des supports supérieur et inférieur du chauffe-eau. Pour le support supérieur, percez des trous d'un diamètre de 5/16 po. (8 mm) et d'une profondeur de 2 po. (50 mm). Pour le support inférieur, percez des trous d'un diamètre de 1/4 po. (6 mm) avec profondeur de 1.38 po. (35 mm) (**Figure 3**).

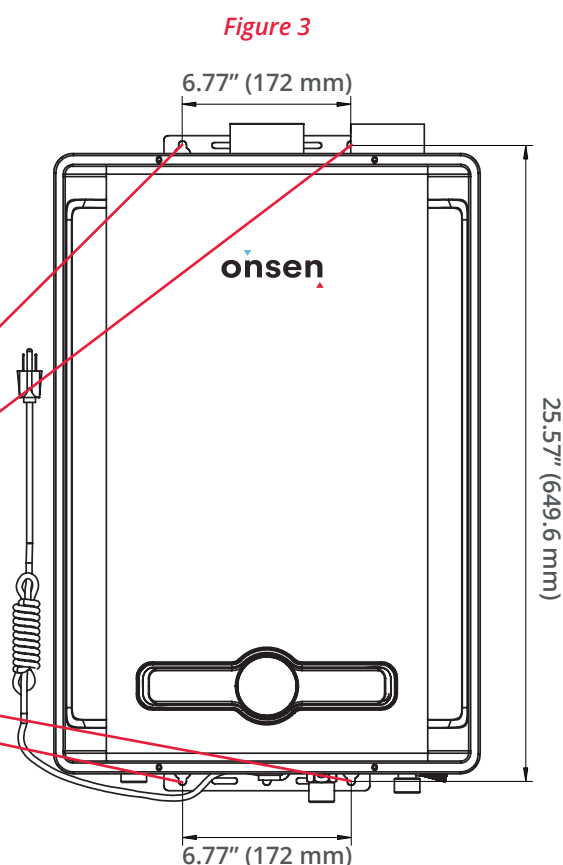
Pour une installation sur béton ou blocs de ciment : veuillez utiliser des boulons d'expansion en acier.

Pour une installation sur mur de gyproc : veuillez localiser un 2 x 4 en bois et utiliser des vis de montage appropriées.

- ⑥ Accrochez le chauffe-eau et serrez les vis de montage.

Percez des trous de 5/16 po. (8 mm) avec profondeur de 2 po. (50 mm).

Percez des trous de 1/4 po. (6 mm) avec profondeur de 1.38 po. (35 mm).



EXIGENCES ÉLECTRIQUES



Assurer la conformité avec les codes électriques applicables lors de l'installation, y compris le code électrique national américain (NFPA 70) ou le Code canadien de l'électricité - Partie 1 (CGAS C22.1) en fonction de l'emplacement.

- ✓ ASSUREZ-VOUS QU'UNE PRISE A TROIS BROCHES 120 V / 60 HZ CORRECTEMENT MISE A LA TERRE EST DISPONIBLE.
- ✓ NE PAS BRANCHER L'APPAREIL AVANT QUE L'INSTALLATION SOIT COMPLÈTE, TESTÉE ET PRÊT POUR LE DÉMARRAGE INITIAL.

CONDUITE DE GAZ



La tuyauterie de gaz doit être dimensionnée, installée et testée uniquement par un professionnel certifié. Une installation incorrecte peut entraîner un mauvais fonctionnement de l'équipement ou une situation dangereuse.

- ① Vérifiez le type de gaz utilisé avant l'installation. NE PAS connecter un appareil si le type de gaz n'est pas compatible avec celui-ci. Contactez votre revendeur pour connaître le modèle de chauffe-eau approprié qui correspond au type de gaz utilisé.
- ② Vérifier la pression d'entrée du gaz. Assurez-vous que la pression du gaz est dans les limites indiquées dans la section « **Spécifications du système** ».
- ③ Examinez l'emplacement d'installation en tenant compte de tous les utilisateurs de gaz sur le site. La conduite d'alimentation en gaz doit être dimensionnée et installée pour fournir une alimentation en gaz suffisante pour répondre à la demande maximale de l'appareil de chauffage et de tous les autres appareils consommant du gaz à l'emplacement.

NOTE : POUR PLUS D'INFORMATION, VEUILLEZ VOUS RÉFÉRER AU NATIONAL FUEL GAS CODE, ANSI Z223.1 / NFPA 54, OU LE CODE D'INSTALLATION DE GAZ NATUREL ET PROPANE, CSA B149.1.

- ④ Assurez-vous que tout scellant à gaz utilisé sur les joints filetés de la tuyauterie de gaz est compatible avec le gaz propane et gaz naturel.
- ⑤ Utilisez uniquement des matériaux approuvés pour connecter l'appareil à la conduite de gaz.
- ⑥ Assurez-vous d'installer une valve de gaz manuelle à la conduite d'alimentation en gaz du chauffe-eau. Pour de meilleures performances, le chauffe-eau doit être le premier appareil en aval du compteur d'alimentation en gaz.
- ⑦ Purger la conduite de gaz de tout débris avant le raccordement au chauffe-eau.
- ⑧ Connecter l'appareil à la conduite de gaz.
- ⑨ Vérifiez l'étanchéité de tous les joints, y compris au niveau des connexions de l'appareil pour détecter toutes fuites de gaz. Utilisez une solution de détection de fuite, du savon et de l'eau ou toute solution équivalente.

**AVERTISSEMENT**

Assurez-vous que toute solution de vérification des fuites n'est pas corrosive et est complètement rincée de la tuyauterie une fois la vérification des fuites terminée. Des fuites de gaz ultérieures pourraient se produire dû à la corrosion de la tuyauterie. Ne jamais utiliser de solutions inflammables ou une flamme nue pour tester les fuites de gaz !

► DIMENSIONNEMENT DE LA CONDUITE DE GAZ

**AVERTISSEMENT**

L'installation et la mise à l'essai de la conduite de gaz doivent être effectuées par un professionnel qualifié. Une tuyauterie mal dimensionnée ou installée incorrectement peut entraîner une défaillance d'allumage, une performance inadéquate du chauffe-eau, des fuites de gaz ou un risque grave d'incendie ou d'explosion.

NOTE: SI LE DIAMÈTRE DE LA CONDUITE DE GAZ EST INFÉRIEUR AU MINIMUM RECOMMANDÉ, LE CHAUFFE-EAU POURRAIT NE PAS S'ALLUMER, S'ÉTEINDRE EN COURS D'UTILISATION OU AFFICHER UN CODE D'ERREUR (PAR EXEMPLE : E1 OU E2 INDIQUANT UNE PRESSION DE GAZ INSUFFISANTE). VEUILLEZ SUIVRE CE GUIDE ATTENTIVEMENT OU FAIRE APPEL À UN INSTALLATEUR QUALIFIÉ.

Un bon dimensionnement de la conduite de gaz est essentiel pour le fonctionnement sécuritaire et efficace de votre appareil. Une conduite sous-dimensionnée peut causer :

- ✓ Un débit d'eau chaude irrégulier ou insuffisant
- ✓ Des codes d'erreur système
- ✓ Une défaillance à l'allumage du brûleur
- ✓ Une production accrue de monoxyde de carbone

Quel est le diamètre de la conduite de gaz recommandé pour le chauffe-eau Onsen 26L ?

NOTE: LES RECOMMANDATIONS CI-DESSOUS NE SONT QUE DES ESTIMATIONS. DES ÉLÉMENTS SUPPLÉMENTAIRES TELS QUE LE NOMBRE DE RACCORDS DE TUYAUTERIE (COUDES, TÉS, VANNES, ETC.), LES VARIATIONS D'ALTITUDE, LA TAILLE DU RÉGULATEUR ET LE MATÉRIAU DES TUYAUX NE SONT PAS PRIS EN COMPTE DANS CETTE ESTIMATION. CES RECOMMANDATIONS NE CONSTITUENT PAS UN AVIS PROFESSIONNEL ET NE REMPLACENT PAS UNE CONSULTATION APPROPRIÉE POUR DES APPLICATIONS SPÉCIFIQUES. POUR UNE DÉTERMINATION PLUS PRÉCISE DU DIAMÈTRE DE CONDUITE DE GAZ REQUIS, IL EST RECOMMANDÉ DE CONSULTER UN PROFESSIONNEL CERTIFIÉ.

Dans une configuration où le chauffe-eau Onsen 26L est le seul appareil raccordé, une **conduite de gaz de ¾"** est généralement suffisante pour des distances courtes. Toutefois, si la conduite est particulièrement longue ou si d'autres appareils à gaz y sont également connectés, un diamètre de **1"** pourrait être nécessaire afin de garantir une pression adéquate pour le bon fonctionnement de l'appareil.

Veillez suivre attentivement les instructions et les directives ci-dessous afin de déterminer le diamètre de conduite recommandé pour votre installation.

Mesurer la longueur de la conduite

- ① Mesurez la **distance totale** entre le compteur de gaz (ou le régulateur) et le chauffe-eau. N'oubliez pas d'inclure les coudes et les raccords car ils augmentent la résistance.
- ② Utilisez le **tableau** ci-dessous pour déterminer le diamètre minimal de conduite requis lorsque le chauffe-eau est le seul appareil raccordé à la conduite de gaz (c'est-à-dire en l'absence de tout autre appareil connecté).

ONSEN 26L - INSTALLATION SEULE*	
PROPANE 180 000 BTU	
Longueur de conduite	Diamètre recommandé
Jusqu'à 65 pi.	¾"
65–150 pi.	1"
150–200 pi.	1¼"
GAZ NATUREL 180 000 BTU	
Jusqu'à 25 pi.	¾"
25-115 pi.	1"
115-200 pi.	1¼"
* Ces valeurs sont basées sur des systèmes résidentiels basse pression (≤ 0.5 psi) avec une chute de pression de 0,3" colonne d'eau, selon les normes CSA B149.1 et NFPA 54.	

Tenir compte de la charge totale sur la conduite

- ① Si votre chauffe-eau partage la conduite avec d'autres appareils à gaz (ex. : cuisinière, radiateur mural, réfrigérateur au propane), additionnez les débits BTU/h de chaque appareil afin de déterminer la charge totale.
- ② Utilisez la distance la plus longue entre le compteur (ou le régulateur) et l'appareil, en incluant tous les raccords. Cela permet de garantir une pression de gaz adéquate, même lors des périodes de demande maximale.
- ③ Utilisez le **tableau** ci-dessous pour déterminer le diamètre minimal de conduite requis lorsque le chauffe-eau est raccordé à une conduite partagée avec d'autres appareils à gaz.

ONSEN 26L - INSTALLATION AVEC D'AUTRES APPAREILS

PROPANE 180 000 BTU			
Charge totale (BTU/h)	Scénario d'exemple	Diamètre	Longueur maximale
230 000	Chauffe-eau + cuisinière (50K)	¾"	40 pi.
		1"	140 pi.
260 000	Chauffe-eau + radiateur mural (80K)	¾"	30 pi.
		1"	120 pi.
280 000	Chauffe-eau + radiateur + frigo + sècheuse (100K)	1"	90 pi.
GAZ NATUREL 180 000 BTU			
230 000	Chauffe-eau + cuisinière (50K)	1"	80 pi.
260 000	Chauffe-eau + radiateur mural (80K)	1"	70 pi.
		1¼"	140 pi.
280 000	Chauffe-eau + four + poêle 2 brûleurs (100K)	1"	60 pi.
		1¼"	130 pi.

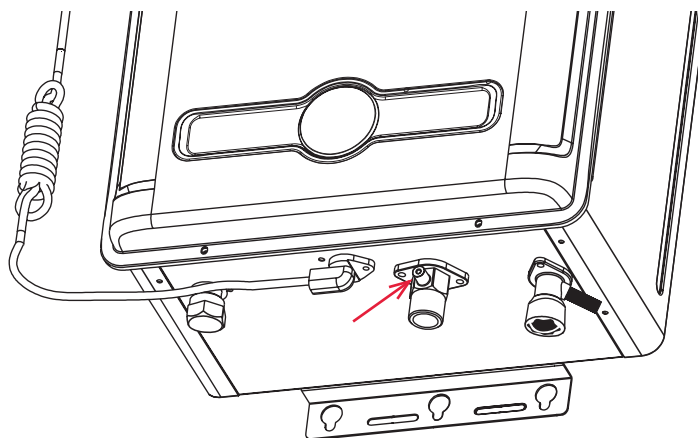
▶ MESURE DE LA PRESSION D'ENTRÉE DE GAZ

Pour mesurer la pression d'entrée au moyen du port de test situé à l'entrée de gaz du chauffe-eau Onsen 26L, suivez les étapes ci-dessous :

PLAGES DE PRESSION ACCEPTABLES

Propane (LPG)	8" – 13" W.C.
Gaz naturel	3.5" – 10.5" W.C.

- ① Fermez la vanne manuelle de gaz.
- ② Ouvrez un robinet d'eau chaude et laissez l'eau couler jusqu'à ce que l'appareil s'arrête, afin de purger le gaz contenu dans la conduite.
- ③ Retirez la vis du port de test, situé sur le raccord d'entrée de gaz (**voir schéma**).
- ④ Connectez un manomètre au port de test.



- ⑤ Rouvrez la vanne manuelle de gaz. Vérifiez pour les fuites de gaz.
- ⑥ Ouvrez un robinet d'eau chaude en grand pour obtenir un débit élevé.
- ⑦ Pendant que le chauffe-eau fonctionne à pleine capacité, **vérifiez la pression d'entrée de gaz.**
- ⑧ La pression de gaz doit demeurer dans les limites spécifiées **pendant le fonctionnement.**

CONDUITES D'EAU

- ① La tuyauterie ainsi que le matériel de soudure et tous composants connectés à ce chauffe-eau doivent être approuvés pour une utilisation dans les systèmes d'eau potable.
- ② Si le chauffe-eau a déjà été utilisé pour chauffer de l'eau non potable, ne jamais l'installez dans un système d'eau potable.
- ③ L'installation de valves d'arrêt manuelles, de valves de drainage et d'unions est recommandée. Un professionnel certifié devrait inspecter chaque installation et s'assurer de la capacité d'isoler le chauffe-eau de la tuyauterie, de le drainer et de le débrancher pour l'entretien.
- ④ Raccordez la tuyauterie appropriée de l'alimentation en eau au chauffe-eau. Notez que les connexions d'entrée et sortie du chauffe-eau sont $\frac{3}{4}$ " NPT.
- ⑤ Cet appareil nécessite une soupape de sûreté et doit être installée à la sortie d'eau chaude.
- ⑥ Purger la conduite d'eau pour éliminer les débris et l'air. Les débris peuvent bloquer et endommager l'appareil.
- ⑦ Installez le filtre d'entrée d'eau à l'entrée d'eau froide. Assurez-vous que le filtre peut être enlevé aisément pour l'inspection et le nettoyage.
- ⑧ Testez les connexions d'eau pour des fuites. Ouvrez la ou les sorties d'eau et laissez circuler à travers le système pendant 1-2 minutes. Assurez-vous que tout l'air du système / tuyauterie est éliminé.
- ⑨ Après avoir fait circuler l'eau dans le système, vérifiez le filtre d'entrée d'eau pour des débris et nettoyez si nécessaire.
- ⑩ Il est recommandé de couvrir la tuyauterie d'eau chaude de matériau isolant de plomberie pour conserver l'énergie. Par contre, ne jamais couvrir la soupape de sûreté de matériel isolant !

SYSTÈME D'ADMISSION D'AIR ET D'ÉCHAPPEMENT



Une ventilation incorrecte d'un chauffe-eau au gaz peut entraîner des niveaux excessifs de monoxyde de carbone et entraîner des blessures graves ou la mort !



Ce chauffe-eau doit être ventilé conformément à la section « Venting of Equipment » de ANSI Z223.1 / NFPA 54 National Fuel Gas Code – dernières versions, ou au Canada, la version la plus récente du Code d'installation du gaz naturel et du propane CAN/CGA B149.1. De plus, toutes les installations doivent être entièrement conformes à tous les codes du bâtiment locaux applicables. Le non-respect de cette consigne peut entraîner une défaillance de l'équipement, un incendie, des blessures ou la mort !



Utilisez uniquement un évent ou un connecteur d'évent répertorié. Les systèmes de ventilation en plastique ne sont pas compatibles et la défaillance du système de ventilation pourrait entraîner des dommages, une défaillance de l'équipement, des blessures corporelles ou la mort.

► SPÉCIFICATIONS D'INSTALLATION DES CONDUITS D'ADMISSION D'AIR ET D'ÉCHAPPEMENT DE GAZ

NOTE: VEUILLEZ CONSULTER LES INSTRUCTIONS ET SPÉCIFICATIONS DU FABRICANT DE CONDUITS DE VENTILATION. LES DIRECTIVES D'INSTALLATION APPROPRIÉES SONT FOURNIES UNIQUEMENT PAR LE FABRICANT.

- ✓ Chauffe-eau à ventilation directe de catégorie III.
- ✓ Pour de meilleurs résultats, assurez-vous de réduire la longueur du système de ventilation. Gardez le cheminement de la tuyauterie de ventilation aussi courte et droite que possible.
- ✓ Le système d'évacuation de gaz du chauffe-eau ne doit pas être combiné avec l'évacuation de gaz de tout autre appareil à gaz.
- ✓ Le chauffe-eau ne doit pas être raccordé à un conduit de cheminée desservant un appareil conçu pour brûler du combustible solide.
- ✓ Ne pas combiner l'utilisation de conduits de ventilation ou de connecteurs de plusieurs fabricants.
- ✓ Le conduit d'admission d'air peut être en ABS, PVC, acier galvanisé, aluminium ondulé ou autres matériaux conformes selon les codes locaux.
- ✓ Le conduit d'échappement de gaz doit être en acier inoxydable AL 29-4C.
- ✓ Le gaz doit être évacué directement à l'extérieur du bâtiment.
- ✓ Assurez-vous que l'air entrant n'est pas contaminé par une source potentielle de vapeurs ou de produits chimiques.
- ✓ Les conduits doivent être droits. Évitez les creux ou les affaissements dans les conduits.

- ✓ Assurez-vous que les conduits de ventilation sont supportés à tous les quatre (4) pieds (longueurs horizontales) ou à tous les six (6) pieds (pour les longueurs verticales) ou conformément aux exigences du code local.
- ✓ Ne pas réduire le diamètre du conduit de ventilation.
- ✓ Assurez-vous que toutes les connexions des conduits de ventilation sont installées correctement ainsi que connectées et scellées hermétiquement conformément aux instructions du fabricant du conduit de ventilation.
- ✓ Tous les joints des conduits de ventilation doivent être installés de manière à être orientés sur le dessus des conduits horizontaux.
- ✓ Installez le conduit d'échappement vers la terminaison d'échappement avec une inclinaison vers le bas de 2 % (¼ po. par pied ; 19 mm/m) pour assurer l'évacuation de l'eau de pluie ou de tout condensat accumulé près de la terminaison. Une pente ascendante de ¼ po. par pied est permise lorsqu'il n'est pas possible d'effectuer l'installation en pente descendante, à condition qu'un piège à condensat (tuyau de drainage) en acier inoxydable de catégorie III homologué UL soit installé au début de la partie horizontale du conduit.
- ✓ Un collecteur de condensats est requis pour les conduits de configuration verticale. Un point de collecte des condensats doit être installé sur la longueur verticale du conduit juste avant le chauffe-eau pour assurer une évacuation efficace des condensats. Agissez conformément aux codes locaux concernant l'évacuation et la filtration de l'eau de condensation.
- ✓ Ne pas entreposer de matières dangereuses ou combustibles à proximité des conduits de ventilation.
- ✓ Assurez-vous que les points de terminaison d'admission d'air et d'échappement de gaz sont à au moins 12 po (300 mm) au-dessus de tout niveau d'accumulation de neige potentielle. La circulation d'air et de gaz ne doivent pas être entravés par de la neige ou des débris.
- ✓ Assurez-vous que les points de terminaison d'admission d'air et d'échappement de gaz sont à au moins 24" (600 mm) de toute obstruction ou autres objets.
- ✓ Le conduit d'échappement doit conserver des dégagements adéquats et être isolé avec un matériau ignifuge s'il traverse des murs fabriqués de matériaux inflammables. Consultez les codes locaux et la documentation du fabricant des conduits de ventilation pour le choix des matériaux et les exigences d'installation.
- ✓ Le dégagement minimum entre le conduit d'échappement ou connecteur et d'un mur ou d'une cloison combustible doit être conforme aux codes locaux ou, en l'absence de codes locaux, au National Fuel Gas Code ANSI Z223.1/NFPA 54 ou au code d'installation de gaz naturel et propane, CSA B149.1.



Si l'appareil de chauffage est installé dans un bâtiment doté d'un système qui maintient une pression négative, il est possible qu'un refoulement permette à l'air extérieur d'être aspiré dans l'appareil de chauffage lorsqu'il n'est pas en fonction. Cela peut créer une situation où l'air froid pourrait s'introduire dans l'appareil de chauffage et être affecté par le gel. Veuillez consulter un professionnel certifié pour une solution de ventilation adéquate.

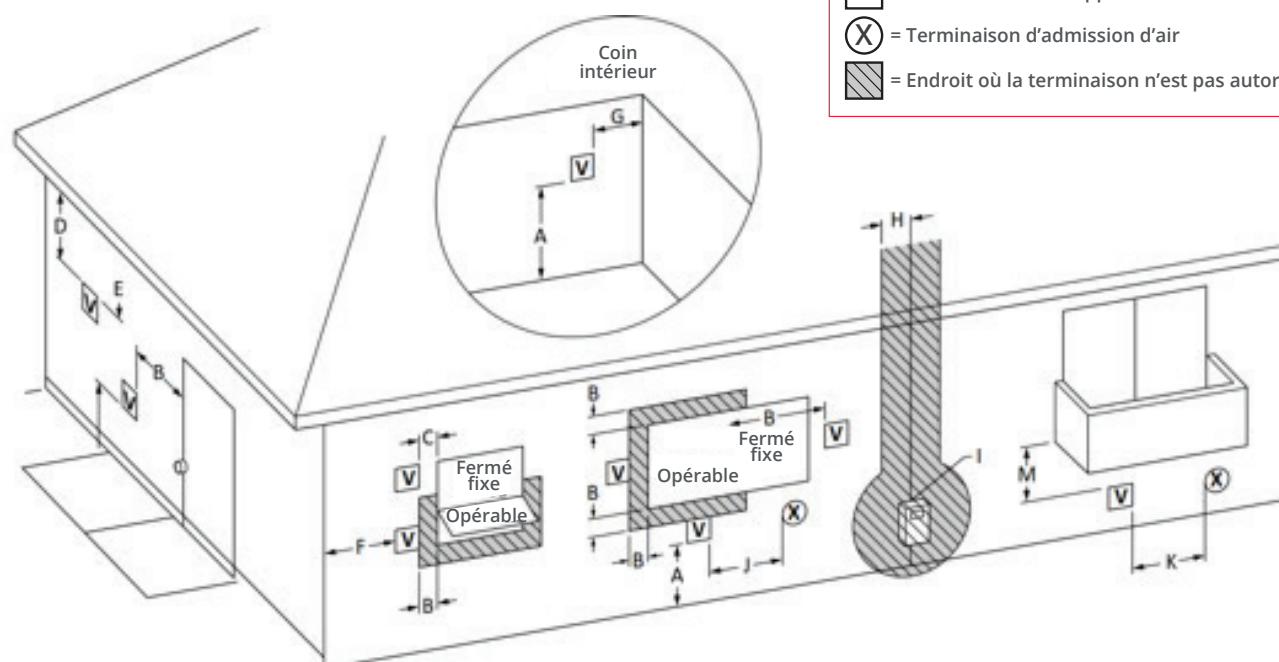
► INSTALLATION DU CONDUIT D'ADMISSION D'AIR

- ① Insérez le conduit sur la prise d'admission d'air.
- ② Fixez le conduit à la prise d'admission d'air à l'aide de brides de serrage ou selon les instructions du fabricant du conduit.




► INSTALLATION DU CONDUIT D'ÉCHAPPEMENT DE GAZ

NOTE: VEUILLEZ CONSULTER LES INSTRUCTIONS ET SPÉCIFICATIONS DU FABRICANT DE CONDUITS DE VENTILATION. LES DIRECTIVES D'INSTALLATION APPROPRIÉES SONT FOURNIES UNIQUEMENT PAR LE FABRICANT.

- ① Un **ADAPTATEUR UNIVERSEL** (Z-Flex Z-Vent # 2ZVB03) doit être installé directement sur le conduit d'échappement du chauffe-eau, après quoi les sections droites de conduit et/ou les coudes peuvent y être raccordés. L'adaptateur universel doit être installé en position **VERTICALE** et dans une orientation permettant au dispositif anti-refoulement, s'il est présent, de s'ouvrir correctement lorsque le chauffe-eau est en fonction. Voir schéma à la section « **Installation typique (configuration de ventilation murale)** ».
- ② Suivez les instructions d'assemblage du fabricant de conduit de ventilation et utilisez le diagramme ci-dessous comme guide visuel.
- ③ Utilisez un conduit de ventilation en acier inoxydable certifié UL conformément à la norme UL 1738 et ULC S636-BH.



LÉGENDE

-  = Terminaison d'échappement
-  = Terminaison d'admission d'air
-  = Endroit où la terminaison n'est pas autorisée

Ref	Dégagements	Exigences CAN (1)	Exigences US (2)
A =	Dégagement au-dessus du sol, veranda, terrasse ou balcon	12 po (30 cm)	12 po (30 cm)
B =	Dégagement de toute fenêtre ou porte pouvant être ouverte	36 po (91 cm)	12 po (30 cm)
C =	Dégagement de toute fenêtre fermée en permanence	*	*
D =	Dégagement vertical du soffite ventilé situé au-dessus de la terminaison à une distance horizontale de 2 pi (61 cm) de la ligne centrale de la terminaison	*	*
E =	Dégagement du soffite non ventilé	*	*
F =	Dégagement d'un coin de mur extérieur	*	*
G =	Dégagement d'un coin de mur intérieur	*	*
H =	Dégagement de chaque côté de la ligne médiane prolongée au-dessus du compteur/régulateur de gaz	3 pi (91 cm) dans les limites de 15 pi (4.6 m)	*
I =	Dégagement de la sortie de ventilation du régulateur de service	3 pi (91 cm)	*
J =	Dégagement d'une entrée d'air non mécanique du bâtiment ou de l'entrée d'air de combustion de tout autre appareil	36 po (91 cm)	12 po (30 cm)
K =	Dégagement à une entrée d'alimentation en air mécanique	6 pi (1.83 m)	3 pi (91 cm) au-dessus si localisée à moins de 10 pi (3 m) horizontalement
L =	Dégagement au-dessus d'un trottoir pavé ou d'une entrée pavée située sur une propriété publique	7 pi (2.13 m) †	7 pi (2.13 m) *
M =	Dégagement sous veranda, terrasse ou balcon	12 po (30 cm) ‡	*

* Référez-vous aux normes ANSI Z223.1/NFPA 54 ou CSA B149.1, pour les dégagements non spécifiés dans ces exigences, l'un des éléments suivants doit être mentionné :

i) La distance minimale par rapport aux allées publiques adjacentes, aux bâtiments adjacents, aux fenêtres ouvrables et aux ouvertures de bâtiments ne doit pas être inférieure aux valeurs indiquées dans les normes ANSI Z223.1/NFPA 54, National Fuel Gas Code, et/ou les normes d'installation de gaz naturel et propane, CSA B149.1.

† Un conduit de ventilation ne doit pas se terminer directement au-dessus d'un trottoir ou d'une entrée pavée situé entre deux habitations unifamiliales desservant celles-ci.

‡ Autorisé uniquement si la véranda, la terrasse ou le balcon est entièrement ouvert sur au moins deux côtés sous le sol.

Notes :

- ① Conformément aux normes CSA B149.1, Natural Gas and Propane Installation Code.
- ② Conformément aux normes ANSI Z223.1/NFPA 54, National Fuel Gas Code.
- ③ Si les codes locaux d'installation spécifient des dégagements différents de ceux illustrés, alors le dégagement le plus strict prévaudra.

Terminaisons de conduits

- ① Déterminer le nombre de coudes de 90 degrés qui seront utilisés dans le système d'évacuation (deux coudes de 45 degrés étant considérés comme un seul coude de 90 degrés).
- ② Référez-vous au tableau ci-dessous pour déterminer la longueur maximale en fonction du nombre de coudes.
Exemple : S'il n'y a qu'un seul coude dans la tuyauterie, la longueur maximale sera de 35 pi (10,7 m).

NOMBRE DE COUDES DE 90 DEGRÉS

0	1	2	3	4	5	6
41pi (12,5m)	35pi (10,7m)	29pi (8,8m)	23pi (7,0m)	17pi (5,2m)	11pi (3,4m)	5pi (1,5m)

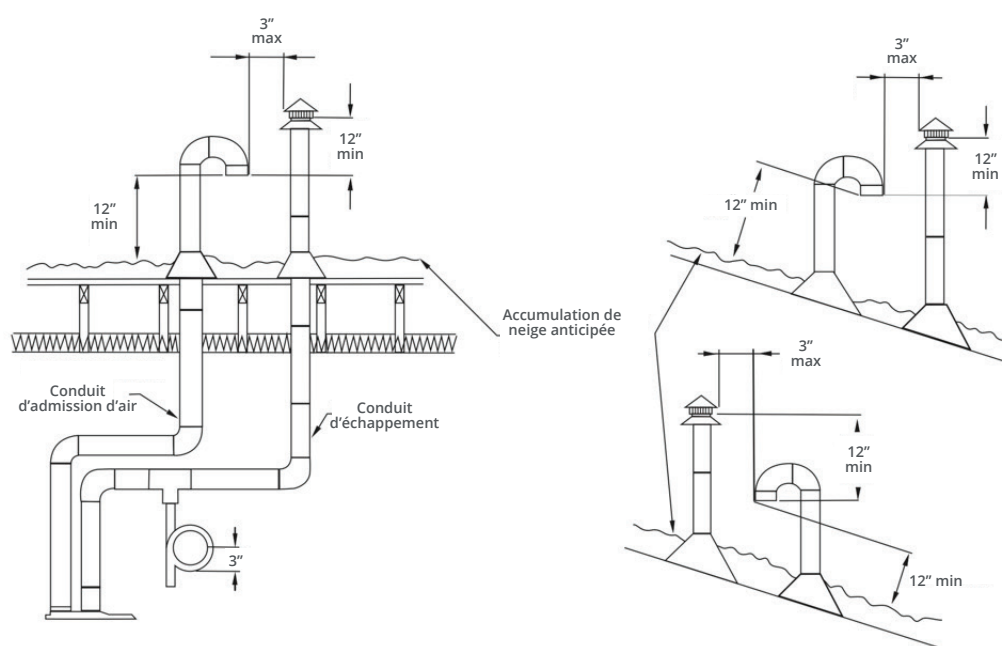
- ③ Pour déterminer la LONGUEUR MINIMALE DU CONDUIT, voir les lignes directrices suivantes :
 - Pour une installation horizontale, la longueur minimale du conduit d'échappement est de 12 po (35 cm), à condition qu'un coude soit inclus dans l'installation et qu'une terminaison d'échappement soit installée à l'extérieur par le mur.
 - Pour une installation verticale, la longueur minimale du conduit d'échappement est de 4 po (10 cm), à condition qu'une terminaison d'échappement soit installée à l'extérieur par une toiture.

Raccordement de terminaisons

TERMINAISONS VERTICALES (TOITURE)

Le conduit d'admission d'air nécessite un coude en U ou deux coudes de 90 degrés pour empêcher l'entrée d'eau dans le système.

Les points de terminaisons des conduits d'échappement et d'admission d'air situés dans la même zone de pression.

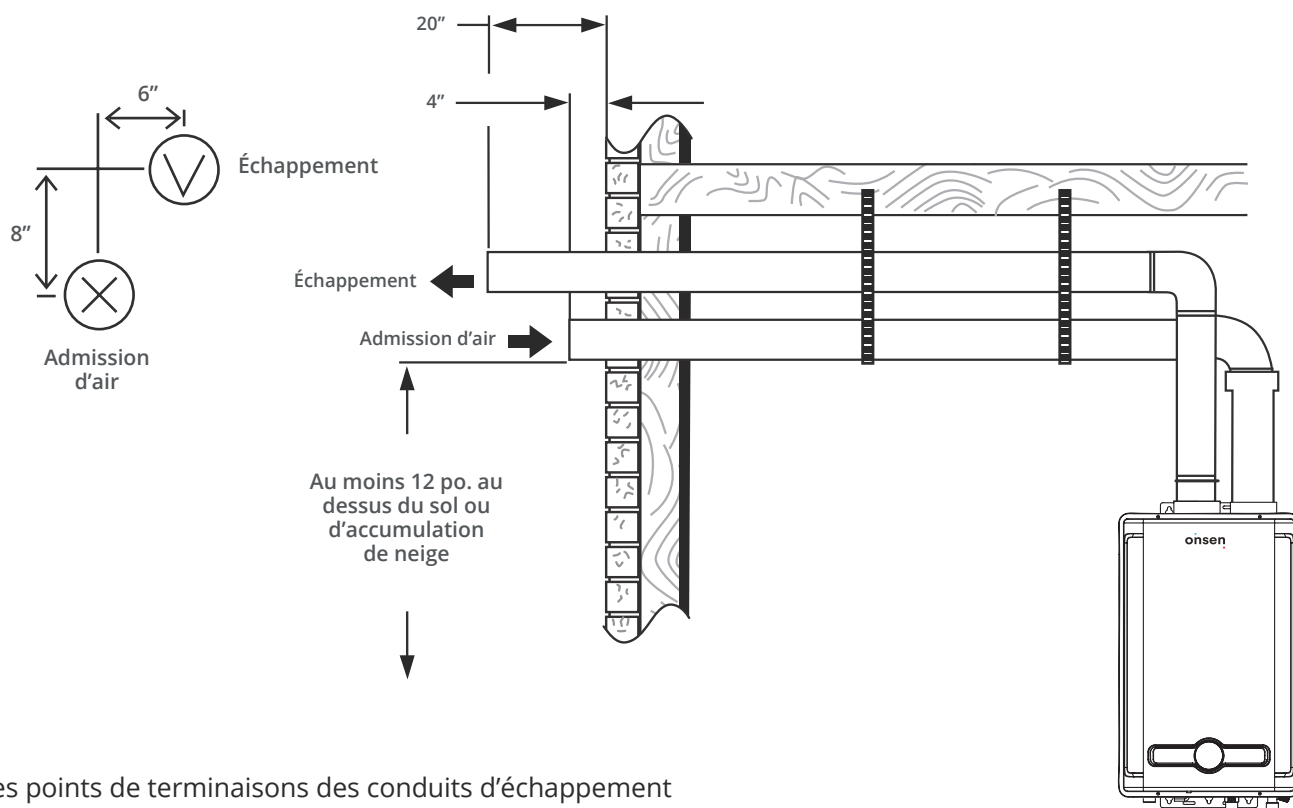


NOTE : Les exigences des codes locaux ou autorités de plomberie peuvent différer des instructions ou des diagrammes fournis et ont préséance sur ceux-ci.

TERMINAISON HORIZONTALES (MURAL)

Le conduit d'admission d'air doit être situé par rapport au conduit d'échappement tel qu'indiqué ci-dessous.

Il est primordial d'installer le conduit d'admission d'air en inclinaison pour empêcher l'entrée d'eau de pluie dans le système.



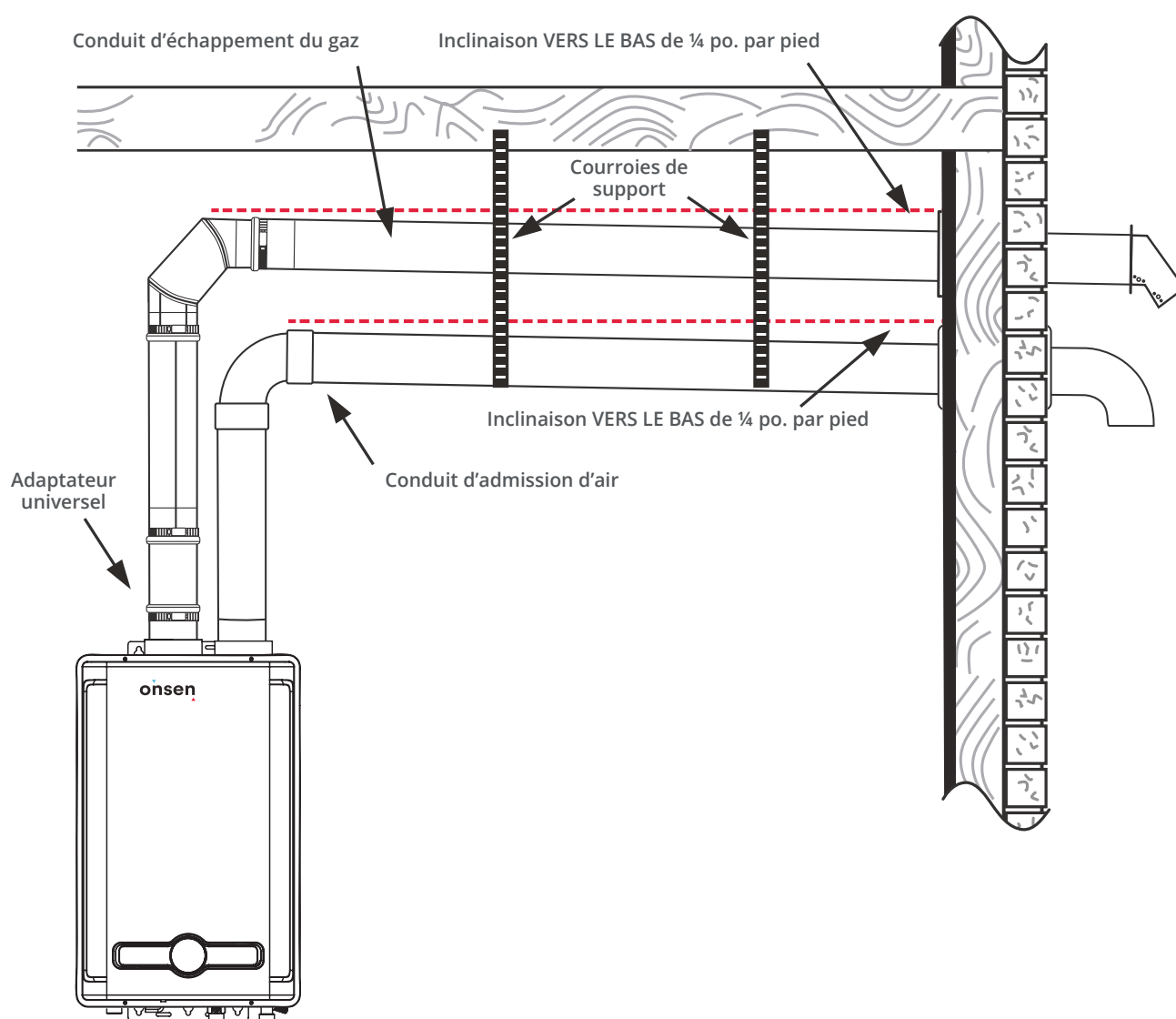
Les points de terminaisons des conduits d'échappement et d'admission d'air doivent être situés dans la même zone de pression et pointer dans la même direction.

NOTE : Les exigences des codes locaux ou autorités de plomberie peuvent différer des instructions ou des diagrammes fournis et ont préséance sur ceux-ci.

INCLINAISON DU CONDUIT D'ÉCHAPPEMENT DE GAZ VERS LE BAS

Installez le conduit d'échappement vers la terminaison d'échappement avec une inclinaison VERS LE BAS de 2 % (¼ po. par pied ; 19 mm/m) pour empêcher l'infiltration d'eau de pluie ou de tout condensat accumulé près de la terminaison.

Installez le conduit d'admission d'air vers la terminaison avec une inclinaison VERS LE BAS de 2 % (¼ po. par pied ; 19 mm/m) pour empêcher l'infiltration d'eau de pluie.

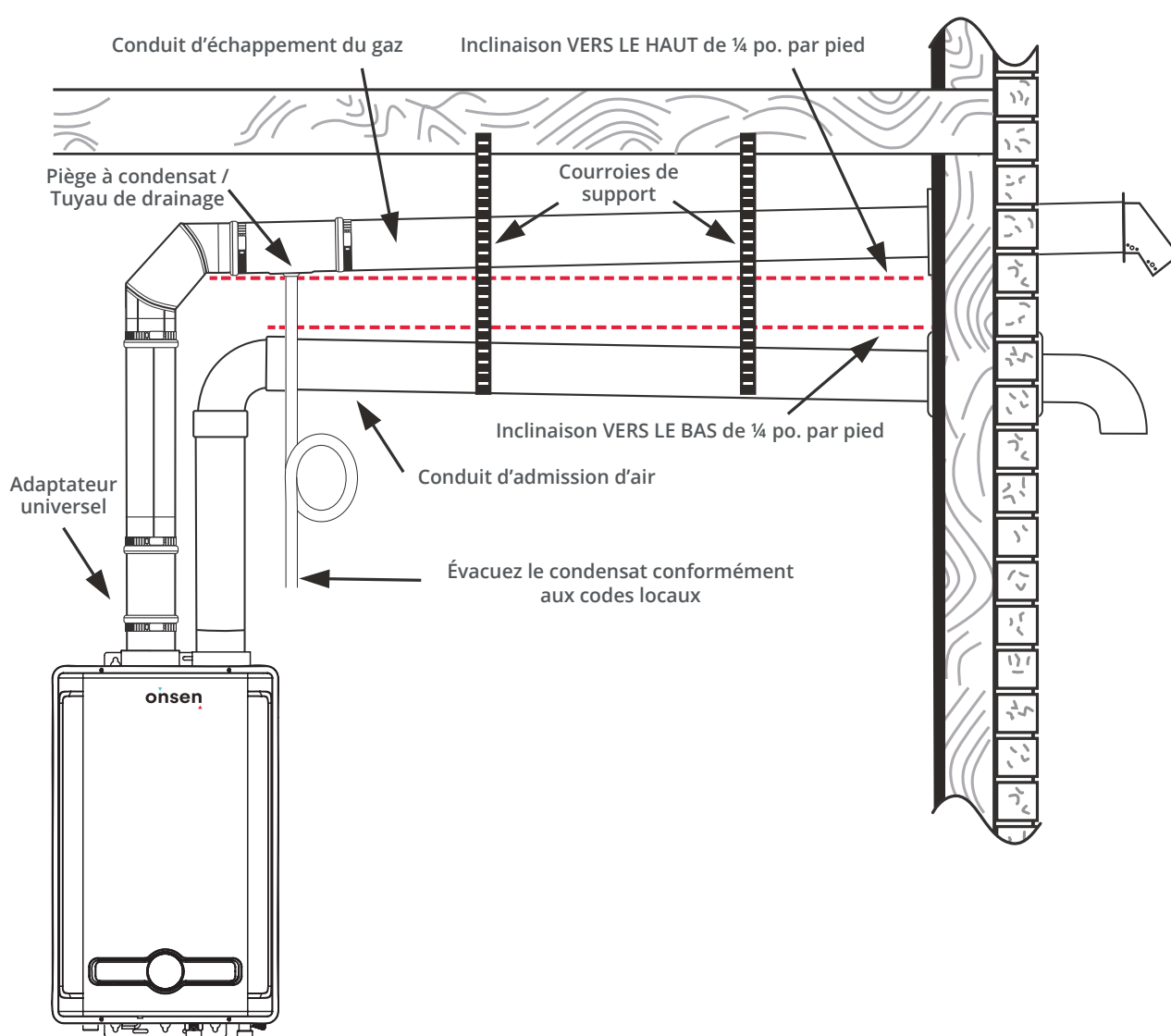


NOTE : Les exigences des codes locaux ou autorités de plomberie peuvent différer des instructions ou des diagrammes fournis et ont préséance sur ceux-ci.

INCLINAISON DU CONDUIT D'ÉCHAPPEMENT DE GAZ VERS LE HAUT

S'il n'est pas possible d'installer le conduit d'échappement avec une inclinaison vers le bas, une installation avec une inclinaison de 2% VERS LE HAUT (¼ po. par pied ; 19 mm/m) est acceptable, à condition qu'un piège à condensat (tuyau de drainage) en acier inoxydable de catégorie III homologué UL soit installé au début de la partie horizontale du conduit.

Installez le conduit d'admission d'air vers la terminaison avec une inclinaison VERS LE BAS de 2 % (¼ po. par pied ; 19 mm/m) pour empêcher l'infiltration d'eau de pluie.



NOTE : Les exigences des codes locaux ou autorités de plomberie peuvent différer des instructions ou des diagrammes fournis et ont préséance sur ceux-ci.

Produits de ventilation recommandés

PRODUIT	MANUFACTURIER	SERIES	TYPE	# DE PIÈCE	DIAMÈTRE
Kit de ventilation horizontal Z-Vent	Z-Flex	Z-Vent	Horizontal (mural)	2ZVEWD03A	3 pouces
Coupe-feu mural réglable Z-Vent	Z-Flex	Z-Vent	Horizontal (mural)	2SVWTM03	3 pouces
Adaptateur universel avec dispositif anti-refoulement Z-Vent	Z-Flex	Z-Vent	Horizontal (mural)	2ZVB03	3 pouces
Coude 90° Z-Vent	Z-Flex	Z-Vent	Horizontal (mural)	2SVEEWC0390	3 pouces
Coude 45° Z-Vent	Z-Flex	Z-Vent	Horizontal (mural)	2SVEEWC0345	3 pouces
Hotte de terminaison Z-Vent	Z-Flex	Z-Vent	Horizontal (mural)	2SVSHTX03	3 pouces
Tuyau droit Z-Vent	Z-Flex	Z-Vent	Horizontal (mural)	2SVEPWC0301 2SVEPWC0301.5 2SVEPWC0302 2SVEPWC0303 2SVEPWC0304 2SVEPWC0305	3 pouces
Tuyau de drainage horizontal Z-Vent	Z-Flex	Z-Vent	Horizontal (mural)	2SVEDWC03	3 pouces

COORDONNÉES DU MANUFACTURIER

Manufacturier	Z-Flex	Site web	www.novaflex.com
Téléphone	800-654-5600	Courriel	sales@z-flex.com

MISE EN MARCHÉ ET ESSAIS



Si les informations contenues dans ces instructions ne sont pas suivies à la lettre, un incendie ou une explosion pourrait en résulter, entraînant des dommages matériels, des blessures corporelles ou la mort.



Ne pas entreposer ni utiliser de produits inflammables tels que de l'essence, des solvants ou des adhésifs dans la même pièce à proximité du chauffe-eau.

QUE FAIRE SI VOUS SENTEZ UNE ODEUR DE GAZ :

1. Ne tenter pas d'allumer aucun appareil.
2. Ne touchez aucun interrupteur électrique ; N'utilisez aucun téléphone dans votre immeuble.
3. Appelez immédiatement votre fournisseur de gaz à partir du téléphone d'un voisin.
4. Suivez les instructions du fournisseur de gaz.
5. Si vous ne pouvez pas joindre votre fournisseur de gaz, appelez les pompiers.

L'installation et le service pour cet appareil doivent être effectués par un installateur qualifié - agence de services de sécurité ou le fournisseur de gaz.

- ✓ Cet appareil n'est pas équipé d'un pilote. Un dispositif d'allumage électronique allumera automatiquement le brûleur. Ne tenter pas d'allumer le brûleur manuellement.
- ✓ N'utilisez jamais d'outils pour tourner les valves de contrôle de gaz dans le système. Utilisez uniquement votre main. Si les valves ne tournent pas à la main, n'essayez pas de les réparer. Contacter un technicien de service qualifié. Tourner une valve de force ou une tentative de réparation pourrait entraîner un incendie ou une explosion.
- ✓ N'utilisez pas cet appareil si une partie quelconque de celui-ci a été submergée. Consultez un technicien qualifié pour inspecter l'appareil et pour remplacer toute composante de l'appareil et tout contrôle de gaz ayant été sous l'eau.

▶ DÉMARRAGE INITIAL

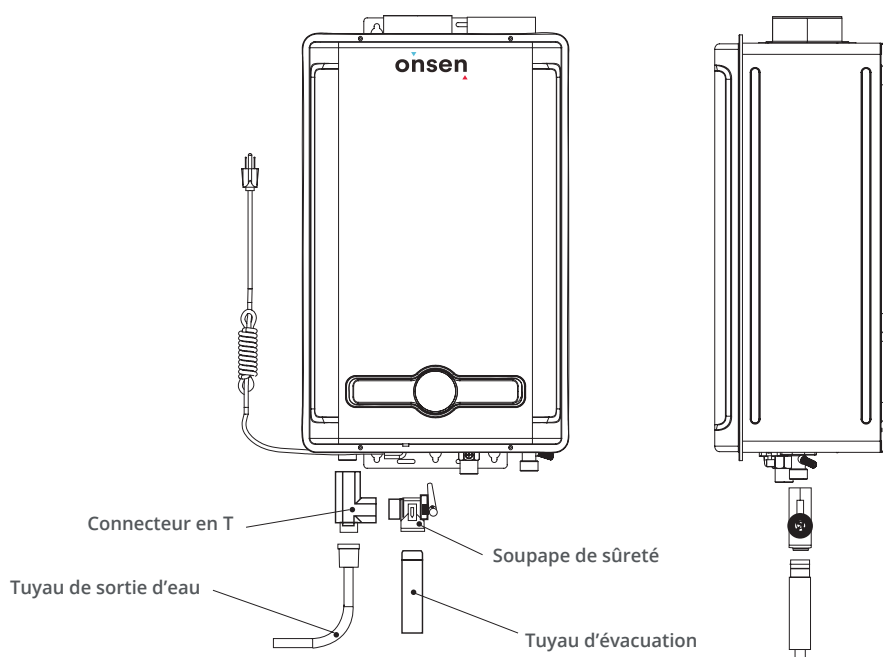
- ① **ARRÊTEZ !** Veuillez lire les consignes de sécurité de la page précédente avant de procéder aux étapes de démarrage énumérées ci-dessous.
- ② Assurez-vous que l'appareil soit débranché et que toute l'alimentation électrique de l'appareil soit coupée.
- ③ Localisez la valve de gaz manuelle. Ouvrez la valve et laissez ouvert pendant environ 15-30 secondes.
- ④ Fermez la valve de gaz manuelle.
- ⑤ Portez une attention particulière à tout signe ou odeur de gaz. Si du gaz est détecté, attendez cinq (5) minutes pour qu'il soit complètement dissipé. ARRÊTEZ et n'allez pas plus loin jusqu'à ce que le point de fuite de gaz soit détecté.
- ⑥ Si aucun gaz n'est détecté, ouvrez la valve de gaz manuelle pendant cinq (5) minutes et vérifiez à nouveau la zone pour tout signe de gaz. Au moindre signe de gaz, ARRÊTEZ et n'allez pas plus loin. Suivez les précautions de sécurité de la page précédente.
- ⑦ Si aucun gaz n'est détecté, procéder aux étapes suivantes.
- ⑧ Ouvrir la valve d'alimentation en eau de l'appareil. Vérifier s'il y a des fuites d'eau.
- ⑨ Effectuez l'inspection visuelle des conduits d'admission d'air et d'échappement pour vous assurer qu'ils ne sont pas obstrués.
- ⑩ Branchez l'appareil.
- ⑪ Appuyez sur le bouton « **MARCHE** » pour allumer l'appareil.
- ⑫ Ajustez le point de consigne de la température conformément aux instructions énumérées sous « **Contrôle de la température** » de la section « **Mode d'emploi** » de ce manuel.
- ⑬ Cet appareil est équipé d'un dispositif d'allumage électronique qui allume automatiquement le brûleur. Ne tenter pas d'allumer le brûleur manuellement.

- 14 Ouvrir un robinet d'eau chaude à un débit supérieur à (0,66 gpm/2,5 l/min) pour que l'activation du système de chauffage se produise.
- 15 Si le système de chauffage de l'appareil ne s'active pas, suivez les instructions d'arrêt. Attendez 5 minutes et essayez de répéter cette procédure de démarrage.
- 16 Si l'appareil ne s'active toujours pas, suivez les étapes de dépannage conformément à la section « Dépannage » de ce manuel ou contactez ONSEN en écrivant à support@onsenproduits.ca ou en appelant le 800-996-5559.

► SOUPAPE DE SÛRETÉ

Pour un fonctionnement sécuritaire du chauffe-eau, assurez-vous que :

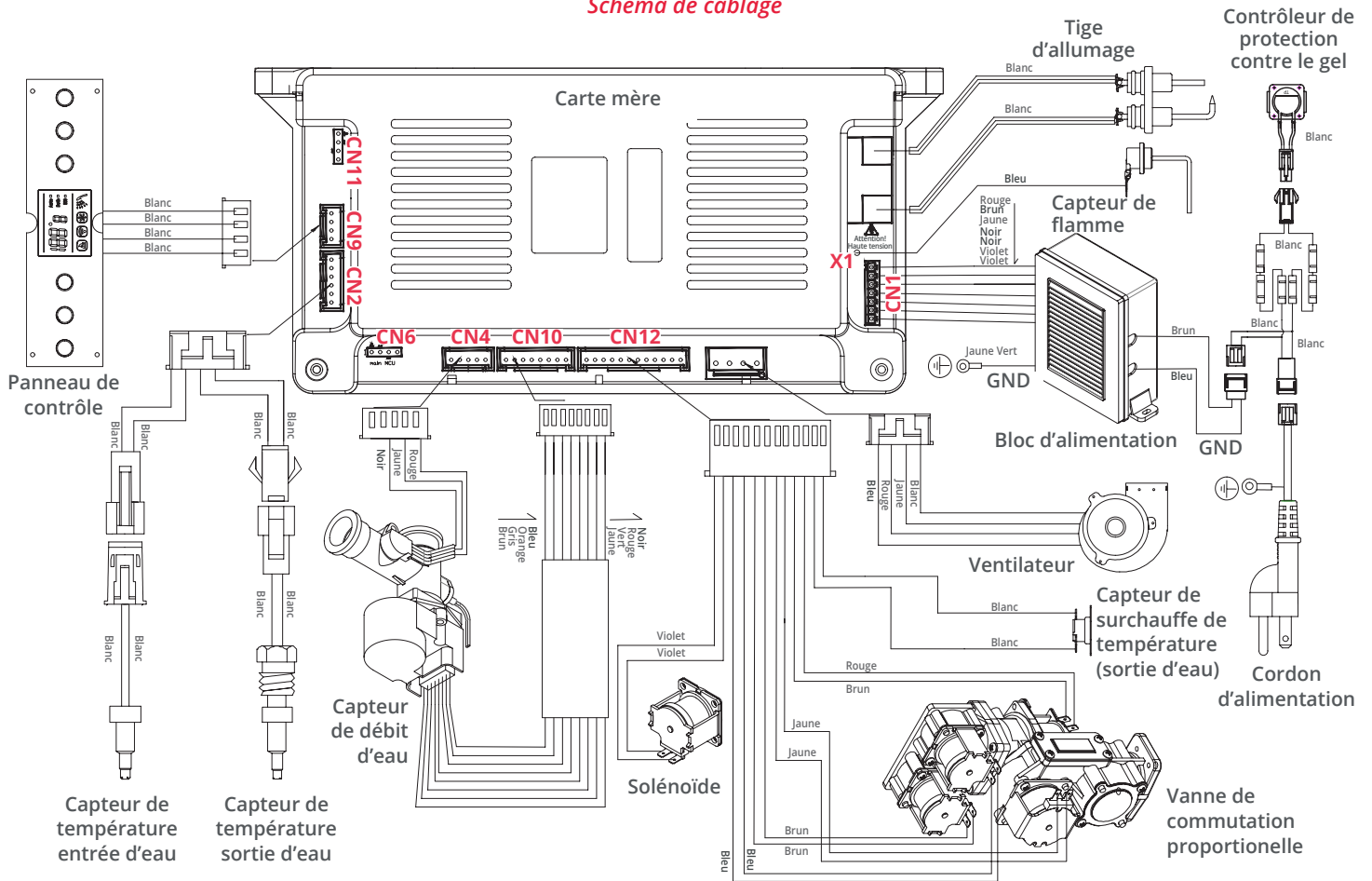
- ✓ La pression nominale de la soupape de sûreté ne doit pas dépasser 125 psi, la pression de service maximale du chauffe-eau indiquée sur la plaque signalétique.
- ✓ La cote Btu/h de la soupape de sûreté doit être égale ou dépasser la cote Btu/h indiqué sur la plaque signalétique du chauffe-eau.
- ✓ Aucune valve ne doit être installée entre la soupape de sûreté et le chauffe-eau.
- ✓ Le diamètre du tuyau d'évacuation de la soupape de sûreté ne doit PAS être PLUS PETIT que la sortie de la valve de sûreté et le tuyau doit être incliné vers le bas pour permettre un drainage complet (par gravité) de la soupape de sûreté et du tuyau d'évacuation.
- ✓ L'extrémité du tuyau d'évacuation ne doit pas être filetée ou dissimulée. Aucune valve que ce soit, aucun raccord causant une restriction ou réduction ne doit être installé au niveau du tuyau d'évacuation.



RÉFÉRENCE

SCHÉMA DE CÂBLAGE

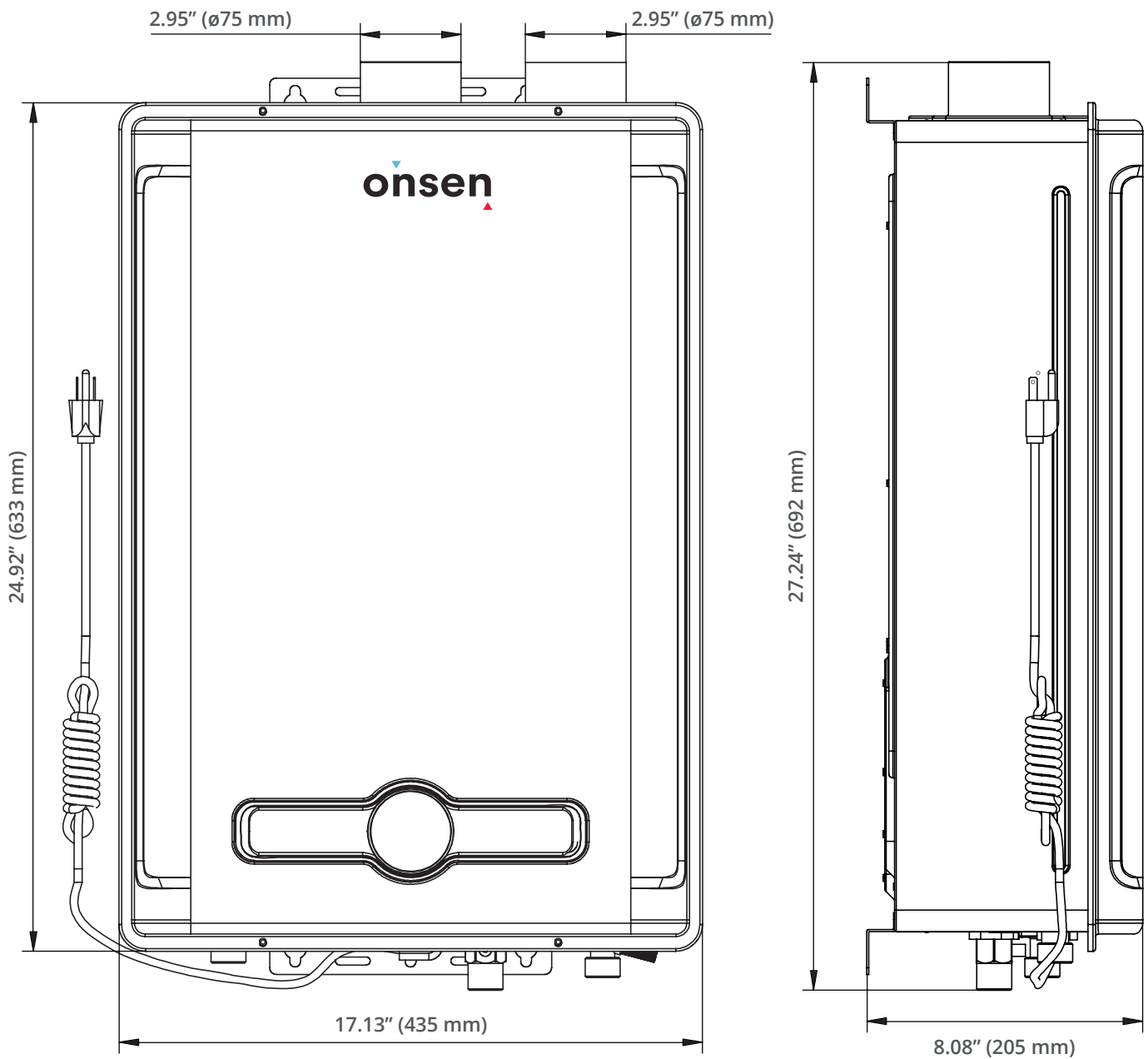
Schéma de câblage



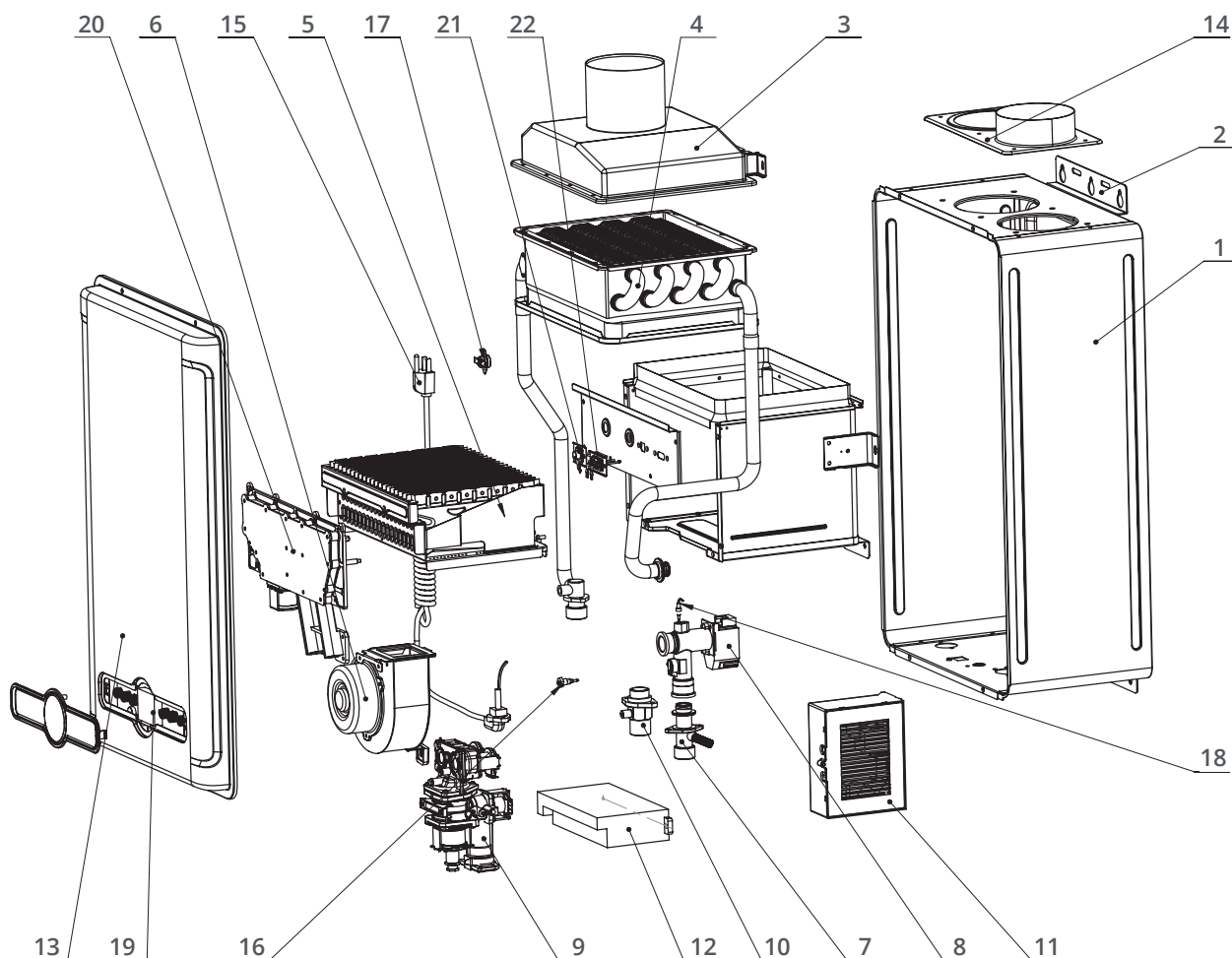
SPÉCIFICATIONS DU SYSTÈME

N° MODÈLE		ON-I26L
Type d'appareil		Chauffe-eau à gaz à débit continu, sans réservoir, avec contrôleur de température
Système d'évacuation		Ventilation directe, conduits jumelés
Pression d'alimentation en gaz	Gaz naturel	Pression maximum : 10.5 po. W.C. (2610 Pa) Pression minimum : 3.5 po. W.C. (870 Pa)
	Gaz propane	Pression maximum : 13.0 po. W.C. (3230 Pa) Pression minimum: 8.0 po. W.C. (1990 Pa)
Plage de température		35° C ~ 60° C (95° F ~ 140° F)
Dimensions	Largeur	17.13 po. / 435 mm
	Hauteur	27.24 po. / 692 mm
	Profondeur	8.08 po. / 205 mm
Poids		39.68 lbs / 18 kg
Connexions	Raccord de gaz	¾ po. NPT
	Raccord d'eau froide	¾ po. NPT
	Raccord d'eau chaude	¾ po. NPT
Allumage		Électronique
Consommation de gaz Max./Min.	Gaz naturel	180 000 Btu/h – 20 000 Btu/h
	Gaz propane	180 000 Btu/h – 20 000 Btu/h
Débit d'eau minimum		0.67 gpm (2.5 l/min)
Pression d'eau minimum		15 PSI
Alimentation électrique		120 Vac/60Hz/1A, 1 phase
Dispositifs de sécurité	Extinction de flamme	Détecteur de flamme
	Chauffage à sec	Capteur de débit d'eau / sonde à thermistance 221° F
	Surchauffe	Système de circuit intégré 185° F
	Maillon fusible	Fusible thermique 320° F
	Soupape de sûreté	Décharge 125 PSI
	Rotation du ventilateur	Système de circuit intégré
	Surintensité du courant	Fusible (5 Amp)
Consommation électrique (en mode de fonctionnement normal)		48 W
Consommation électrique (avec système de protection contre le gel activé)		168 W

DIMENSIONS DU PRODUIT



NOMS DES PIÈCES PRINCIPALES ET COMPOSANTS



NO	PIÈCE	QTÉ
1	Boîtier	1
2	Support de montage	2
3	Hotte de captation de fumée	1
4	Échangeur de chaleur	1
5	Brûleur	1
6	Ventilateur	1
7	Raccord d'entrée d'eau	1
8	Capteur de débit d'eau	1
9	Vanne de commutation proportionnelle	1
10	Raccord d'entrée de gaz	1
11	Bloc d'alimentation	1

NO	PIÈCE	QTÉ
12	Carte de circuits imprimés (PCB)	1
13	Panneau avant	1
14	Module admission d'air	1
15	Cordon d'alimentation	1
16	Capteur de température (sortie d'eau)	1
17	Capteur de surchauffe de température (sortie d'eau)	1
18	Capteur de température (entrée d'eau)	1
19	Panneau de contrôle	1
20	Tuyau de gaz	1
21	Capteur de flamme	1
22	Électrode	1

GARANTIE LIMITÉE

► PROBLÈMES COUVERTS PAR LA GARANTIE

La garantie limitée couvre tout vice de fabrication ou de main-d'oeuvre lorsque le produit est installé et utilisé conformément aux instructions d'installation écrites dans le présent manuel.

Cette couverture de garantie limitée, telle qu'indiquée dans le tableau ci-dessous, s'étend à l'acheteur initial et aux propriétaires subséquents avec preuve d'achat, dans la limite où le produit demeure sur le site de l'installation initiale. La garantie prend fin si le produit est déplacé ou réinstallé à un nouvel emplacement.

Cette garantie limitée ne s'applique qu'aux produits correctement installés aux États-Unis et au Canada par des professionnels qualifiés conformément aux instructions d'installation et d'utilisation d'ONSEN et selon les Codes applicables. Toute installation inappropriée peut annuler cette garantie limitée.

La garantie limitée du produit débute à la date d'achat (reçu d'origine).

ARTICLE	Échangeur de chaleur	Autres pièces et composants
COUVERTURE DE GARANTIE	5 ans	2 ans

► COMMENT FONCTIONNE LA PROCÉDURE DE GARANTIE ?

ONSEN effectuera la réparation ou remplacera le produit ou pièces défectueux en raison d'un vice de matériau ou de fabrication, tel qu'indiqué dans le tableau ci-dessus. Le remplacement du produit ne peut être autorisé que par ONSÉN à sa seule discrétion. Si ONSÉN détermine que la réparation d'un produit n'est pas possible, ONSÉN peut remplacer le produit par un produit comparable à sa seule discrétion. La demande de garantie pour les pièces et la main-d'œuvre du produit peut être refusée si une pièce ou un produit retourné à ONSÉN s'avère exempt de défauts de matériaux ou de fabrication ; endommagé en raison d'une installation, une utilisation ou un fonctionnement inadéquat ; ou endommagé lors de l'expédition de retour.

Les demandes de garantie doivent être soumises directement à ONSÉN. S'il vous est conseillé de retourner l'appareil, vous devez obtenir un numéro d'autorisation de retour de marchandise (RGA) AVANT DE RETOURNER L'APPAREIL. Lorsque vous contactez ONSÉN, veuillez avoir en main le numéro de série de l'appareil et le reçu original comme preuve d'achat. Assurez-vous de bien emballer l'appareil pour éviter tout dommage, étiqueter l'emballage avec le numéro RGA et expédier le l'appareil à ONSÉN comme indiqué. Les retours non autorisés (sans numéro d'autorisation de retour) peuvent être rejetés à la discrétion d'ONSEN.

Pour des réclamations de garantie approuvées, la responsabilité des frais d'expédition sera attribuée comme suit :

- ▶ **Durant 60 JOURS à compter de la date d'achat** : les frais d'expédition par voie terrestre, au Canada seulement, (excluant Yukon, Territoires du Nord-Ouest et Nunavut) seront couverts par Onsen par le transporteur sélectionné par Onsen.
- ▶ **Après 60 JOURS suivant la date d'achat** : le propriétaire devient responsable pour les frais d'expédition.

▶ LIMITATIONS ET EXCLUSIONS DE RESPONSABILITÉ DE LA GARANTIE

Les garanties écrites sont les seules garanties formellement fournies par ONSEN. ONSEN n'autorise personne à créer ni à assumer en son nom, toute autre obligation ou responsabilité en vertu de la garantie à l'égard de l'appareil. Toute garantie implicite de vente ou d'adaptation à un usage particulier sera limitée à la durée prescrite par la garantie de l'appareil. Les recours énoncés ici sont les seuls dont l'acheteur puisse se prévaloir.

ONSEN n'autorise aucune personne ou entreprise d'assumer aucune obligation ni de responsabilité en matière de réparation ou de remplacement. ONSEN ne peut être tenu responsable des dommages, des incidents ou contingents résultant, directement ou indirectement, de tout défaut de l'appareil ou de l'utilisation de celui-ci. ONSEN ne sera pas tenu responsable des dommages causés par l'eau résultant directement ou indirectement, de tout défaut d'une composante de l'appareil ou de son utilisation.

D'autres droits peuvent découler de la législation provinciale, droits qui varient d'un État ou d'une province à l'autre. Une telle législation applicable peut interdire la limitation de la durée d'une garantie implicite ou l'exclusion des dommages accessoires ou indirects. Par conséquent, certaines des limitations ou des exclusions ci-dessus peuvent ne pas s'appliquer à vous.

Onsen ne peut être tenu responsable sous cette garantie si le l'appareil est soumis à l'une des conditions suivantes :

- ▶ Mauvaise utilisation, altération, réparation non autorisée, négligence, accident ou usage abusif.
- ▶ N'a pas été installé par un professionnel certifié conformément aux instructions d'installation et d'utilisation décrites dans ce manuel.
- ▶ N'a pas été installé conformément au(x) code(s) et/ou réglementation(s) local(s) de plomberie et/ou de bâtiment.
- ▶ Installation inadéquate et dommages causés par celle-ci (mais non de façon limitative) :
 - ✓ Installation en milieu corrosif ou tout autre environnement néfaste pour le produit.
 - ✓ Dommages causés par la condensation.

- ✓ Ventilation inadéquate.
- ✓ Type de gaz incorrect.
- ✓ Pression de gaz incorrect.
- ▶ Mauvais entretien (accumulation de tartre, dommages causés par le gel ou le blocage de la ventilation).
- ▶ Dimensionnement incorrect.
- ▶ Toute autre cause non due à des défauts de matériaux ou de fabrication.
- ▶ Problèmes ou dommages dus aux incendies, aux inondations, aux surtensions électriques, au gel ou à toute catastrophe naturelle.
- ▶ Tout dommage causé par une mauvaise qualité de l'eau.
- ▶ Utilisation de l'appareil avec autre liquide que de l'eau potable en tout temps.
- ▶ Cas de force majeure.
- ▶ Utilisation de l'appareil lorsqu'il est affecté par le gel.
- ▶ Lorsque l'appareil est alimenté d'une eau de température supérieure à 125° F (52° C).
- ▶ Lorsque l'appareil est alimenté d'une eau d'une pression supérieure à 150 PSI (1.0 MPa).
- ▶ Utilisation de l'appareil pour alimenter un spa, une piscine, un bateau ou une embarcation.

Il n'y a aucune couverture de garantie sur le produit installé dans une application en circuit fermé, généralement associée aux applications utilisées uniquement pour le chauffage d'espaces de bâtiments.

Cette garantie ne couvre aucun produit utilisé dans une application qui utilise de l'eau traitée chimiquement tel qu'un chauffe-piscine ou un spa.

SUPPORT@ONSENPRODUCTS.COM
ONSENPRODUCTS.COM
ONSENPRODUCTS.CA
800.996.5559

The logo for 'onsen' is displayed in a white, lowercase, sans-serif font. A small blue triangle is positioned above the letter 'o', and a small red triangle is positioned below the letter 'n'.